



T&S BRASS AND BRONZE WORKS, INC.

2 Saddleback Cove / P.O. Box 1088
Travelers Rest, SC 29690



REG. #A2601
ISO #9001

Model No.

B-2261-B

Item No.

Travelers Rest, SC: 800-476-4103 • Simi Valley, CA: 800-423-0150 • Fax: 864-834-3518 • www.tsbrass.com

This Space for Architect/Engineer Approval

Job Name _____ Date _____

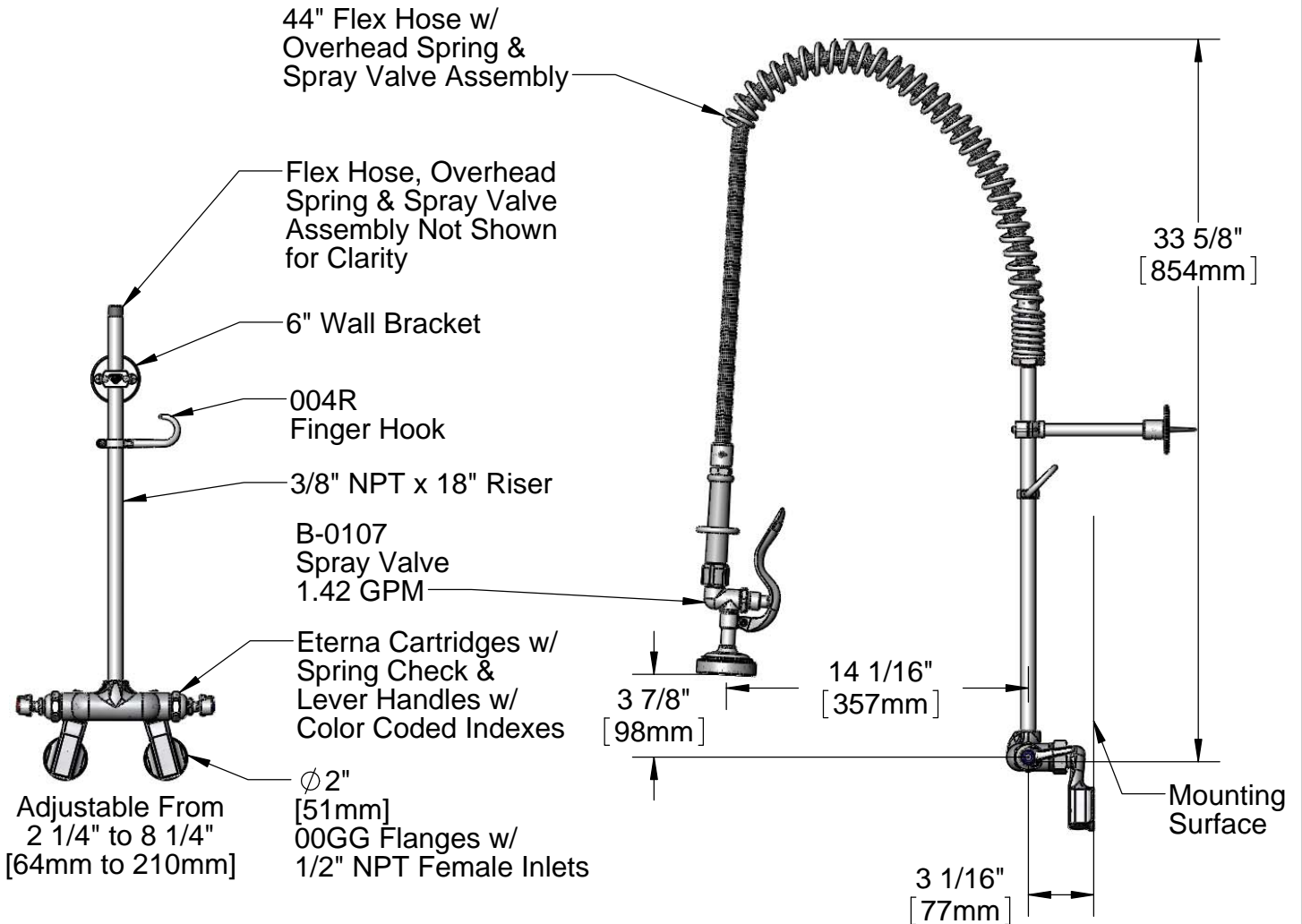
Model Specified _____ Quantity _____

Customer/Wholesaler _____

Contractor _____

Architect/Engineer _____

EPAct 2005 Compliant



Product Specifications:
EasyInstall Pre-Rinse Unit:
8" c/c Wall Mount Mixing Faucet, 00GG Flanges w/
1/2" NPT Female Inlets, 18" Riser, Overhead Spring,
44" Flex Hose, 6" Wall Bracket & B-0107 Spray Valve

Drawn JRM	Checked DMH	Approved JHB
Scale: 1:8		Date: 07/14/11



T&S BRASS AND BRONZE WORKS, INC.

2 Saddleback Cove / P.O. Box 1088
Travelers Rest, SC 29690



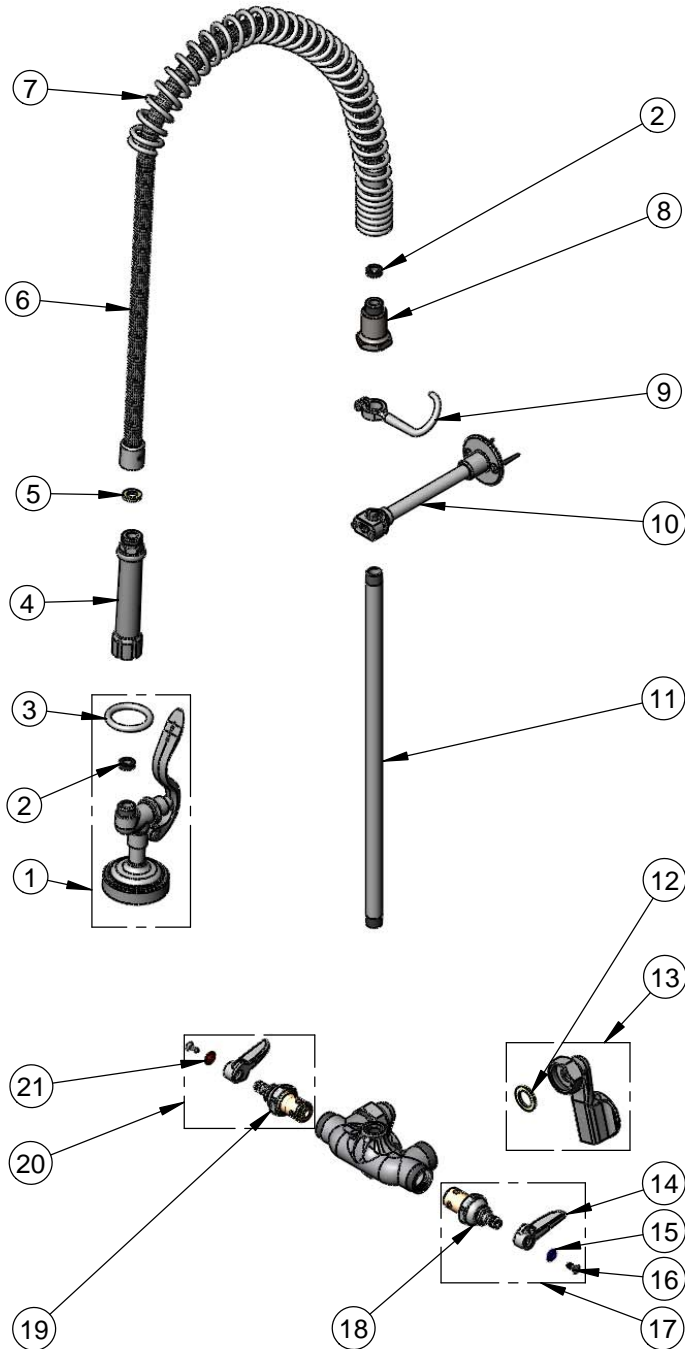
REG. #A2601
ISO #9001

Model No.

B-2261-B

Item No.

Travelers Rest, SC: 800-476-4103 • Simi Valley, CA: 800-423-0150 • Fax: 864-834-3518 • www.tsbrass.com



ITEM NO.	SALES NO.	DESCRIPTION
1	B-0107	Spray Valve Assembly w/ Hold Down Ring & Washer
2	010476-45	#27 Washer
3	000907-45	Spray Valve Hold Down Ring
4	002987-40	Grip Handle Assembly
5	001014-45	Washer, B-0100 Hose Barrel
6	B-0044-H2A	44" SS Flex Hose Less Handle
7	000888-45	EasyInstall Overhead Spring
8	000821-40	Spring Body
9	004R	Finger Hook Assembly
10	B-0109-01	6" Wall Bracket
11	000369-40	3/8" NPT x 18" Long Riser
12	001019-45	Coupling Nut Washer
13	00GG	Flange Assembly, 1/2" NPT, Adjustable
14	001638-45	Lever Handle
15	001660-45	Blue Index-CW
16	000922-45	Lever Handle Screw
17	002711-40	Cold Eterna w/ Spring Check, Handle, Index & Screw
18	012442-40	Cold Eterna w/ Spring Check
19	012443-40	Hot Eterna w/ Spring Check
20	002712-40	Hot Eterna w/ Spring Check, Handle, Index & Screw
21	001661-45	Red Index-HW

Product Specifications:

EasyInstall Pre-Rinse Unit:
8" c/c Wall Mount Mixing Faucet, 00GG Flanges w/
1/2" NPT Female Inlets, 18" Riser, Overhead Spring,
44" Flex Hose, 6" Wall Bracket & B-0107 Spray Valve

Drawn	Checked	Approved
JRM	DMH	JHB
Scale:		Date:
NTS		07/14/11