



T&S BRASS AND BRONZE WORKS, INC.
 2 Saddleback Cove / P.O. Box 1088
 Travelers Rest, SC 29690

Model No.
B-2277

Item No.

Travelers Rest, SC: 800-476-4103 • Simi Valley, CA: 800-423-0150 • Fax: 864-834-3518 • www.tsbrass.com

This Space for Architect/Engineer Approval

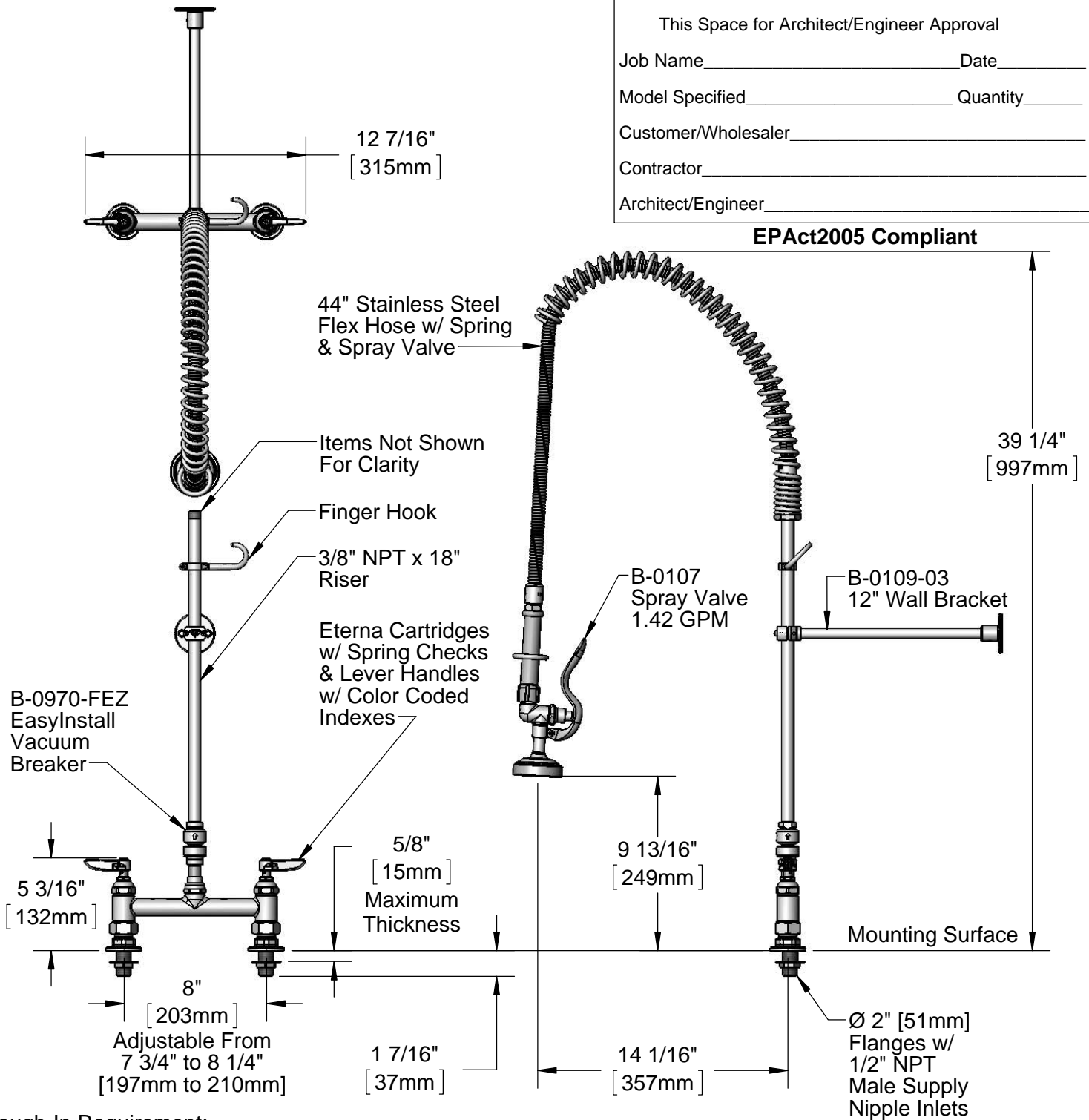
Job Name _____ Date _____

Model Specified _____ Quantity _____

Customer/Wholesaler _____

Contractor _____

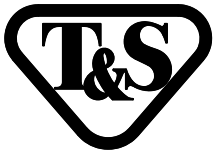
Architect/Engineer _____



Rough-In Requirement:
 (2) Ø 1" [25mm] Mounting Holes

Product Specifications:
 Pre-Rinse Unit: 8" Deck Mount Mixing Faucet, Eterna Cartridges w/ Spring Checks, EasyInstall 3/8" NPT Vacuum Breaker, 12" Wall Bracket, 44" Stainless Steel Flex Hose, 1.42 GPM Spray Valve & 1/2" NPT Male Supply Nipple Inlets

Drawn DHL	Checked DMH	Approved JHB
Scale: 1:8		Date: 11/02/12



T&S BRASS AND BRONZE WORKS, INC.

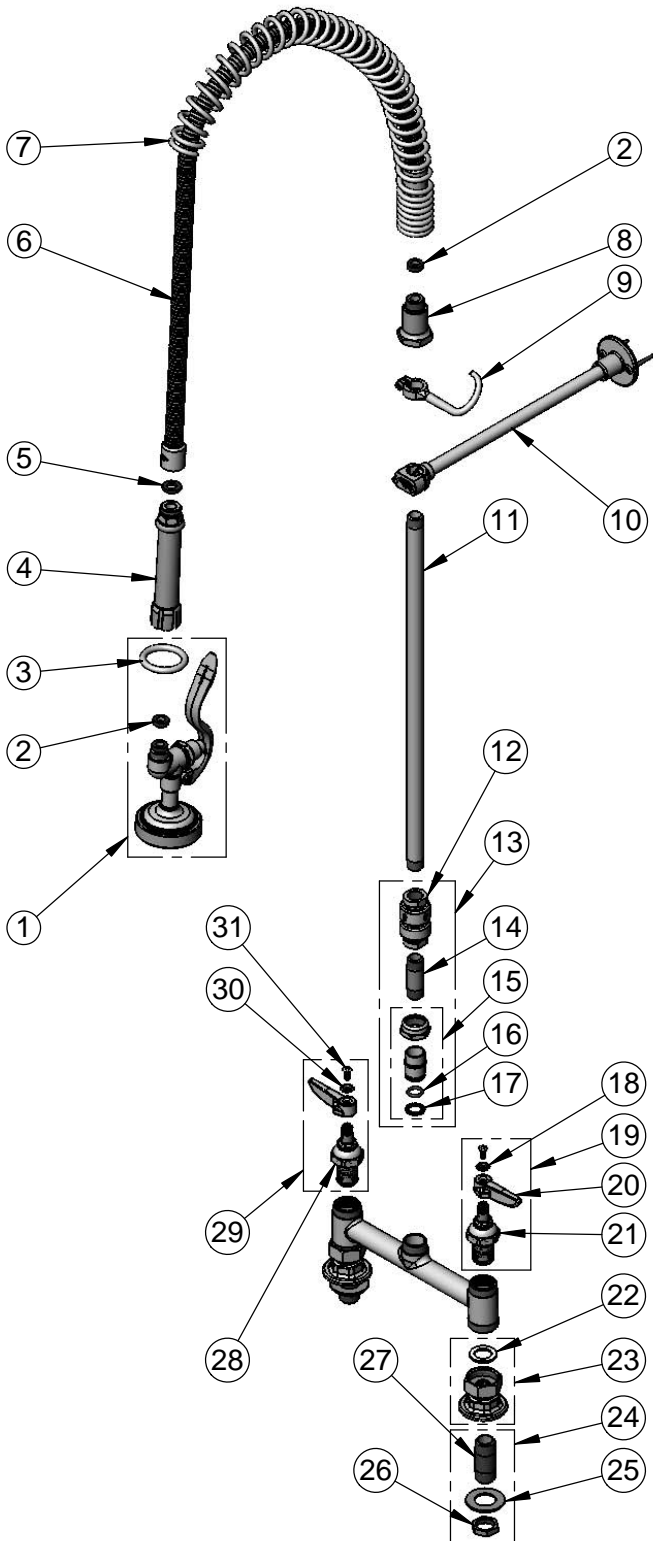
2 Saddleback Cove / P.O. Box 1088
Travelers Rest, SC 29690

Model No.

B-2277

Item No.

Travelers Rest, SC: 800-476-4103 • Simi Valley, CA: 800-423-0150 • Fax: 864-834-3518 • www.tsbrass.com



ITEM NO.	SALES NO.	DESCRIPTION
1	B-0107	Gray Spray Valve
2	010476-45	#27 Washer
3	000907-45	Spray Valve Hold Down Ring
4	002987-40	Gray Grip Handle
5	001014-45	Washer, B-0100 Hose Barrel
6	B-0044-H2A	44" Stainless Steel Flex Hose, Less Handle
7	000888-45	EasyInstall Overhead Spring
8	000821-40	Spring Body
9	004R	Finger Hook
10	B-0109-03	12" Wall Bracket
11	000369-40	3/8" NPT x 18" Long Riser
12	B-0970-FE	3/8" NPT Vacuum Breaker
13	B-0970-FEZ	EasyInstall 3/8" NPT Vacuum Breaker
14	000357-40	3/8" NPT x 2" Long Riser
15	EZ-K	T&S EasyInstall Kit
16	001065-45	O-Ring
17	014200-45	Star Washer, Anti-Rotation
18	001660-45	Blue Index-CW
19	002711-40	Eterna Cartridge, LTC w/ Spring Check, Handle, Index & Screw
20	001638-45	Lever Handle
21	012442-40	Eterna Cartridge, LTC w/ Spring Check
22	001019-45	Coupling Nut Washer
23	00AA	1/2" NPT Female Eccentric Flange
24	B-0425-M	1/2" NPT Supply Nipple Kit (2)
25	000999-45	Brass Lock Washer
26	002954-45	Shank Lock Nut
27	000422-20	1/2" NPT Supply Nipple
28	012443-40	Eterna Cartridge, RTC w/ Spring Check
29	002712-40	Eterna Cartridge, RTC w/ Spring Check, Handle, Index & Screw
30	001661-45	Red Index-HW
31	000922-45	Lever Handle Screw

Product Specifications:

Pre-Rinse Unit: 8" Deck Mount Mixing Faucet, Eterna Cartridges w/ Spring Checks, EasyInstall 3/8" NPT Vacuum Breaker, 12" Wall Bracket, 44" Stainless Steel Flex Hose, 1.42 GPM Spray Valve & 1/2" NPT Male Supply Nipple Inlets

Drawn

DHL

Checked

DMH

Approved

JHB

Scale:

NTS

Date:

11/02/12