



# T&S BRASS AND BRONZE WORKS, INC.

2 Saddleback Cove / P.O. Box 1088  
Travelers Rest, SC 29690

Model No.

**B-2282-01-F05**

Item No.

Travelers Rest, SC: 800-476-4103 • Simi Valley, CA: 800-423-0150 • Fax: 864-834-3518 • www.tsbrass.com

This Space for Architect/Engineer Approval

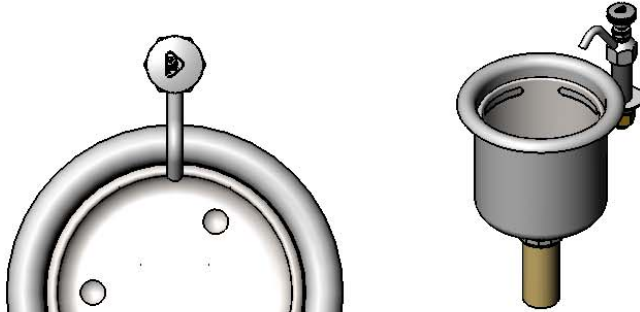
Job Name \_\_\_\_\_ Date \_\_\_\_\_

Model Specified \_\_\_\_\_ Quantity \_\_\_\_\_

Customer/Wholesaler \_\_\_\_\_

Contractor \_\_\_\_\_

Architect/Engineer \_\_\_\_\_



Removable Inner Overflow Cup  
Ø7" [178mm]

Solid Brass Knob,  
Polish Chrome Plated

2 5/8" [67mm]  
Max. Open

2 5/16" [58mm]

Integral 0.5 GPM  
Flow Control

2" [51mm]  
Maximum  
Thickness

3 7/16" [87mm]

5 1/4" [133mm]

9 7/8" [251mm]

Ø5 1/2" [140mm]

Ø1 1/2" [38mm]  
Brass Tube

4 3/4" [121mm]

5/16" I.D. for  
Sweat Fitting or  
Remove Coupling  
for 1/2" NPSM  
Male Shank

Rough-In Requirement:  
Ø7/8" [22mm] for Faucet  
Ø5 3/4" [146mm] for Stainless Steel Bowl

Product Specifications:  
Dipperwell Faucet w/ Drain, Stainless Steel Bowl,  
Inner Overflow Cup & 0.5 GPM Flow Control

Drawn

**DMH**

Checked

**KJG**

Approved

**JHB**

Scale:

**1:4**

Date:

**05/22/13**



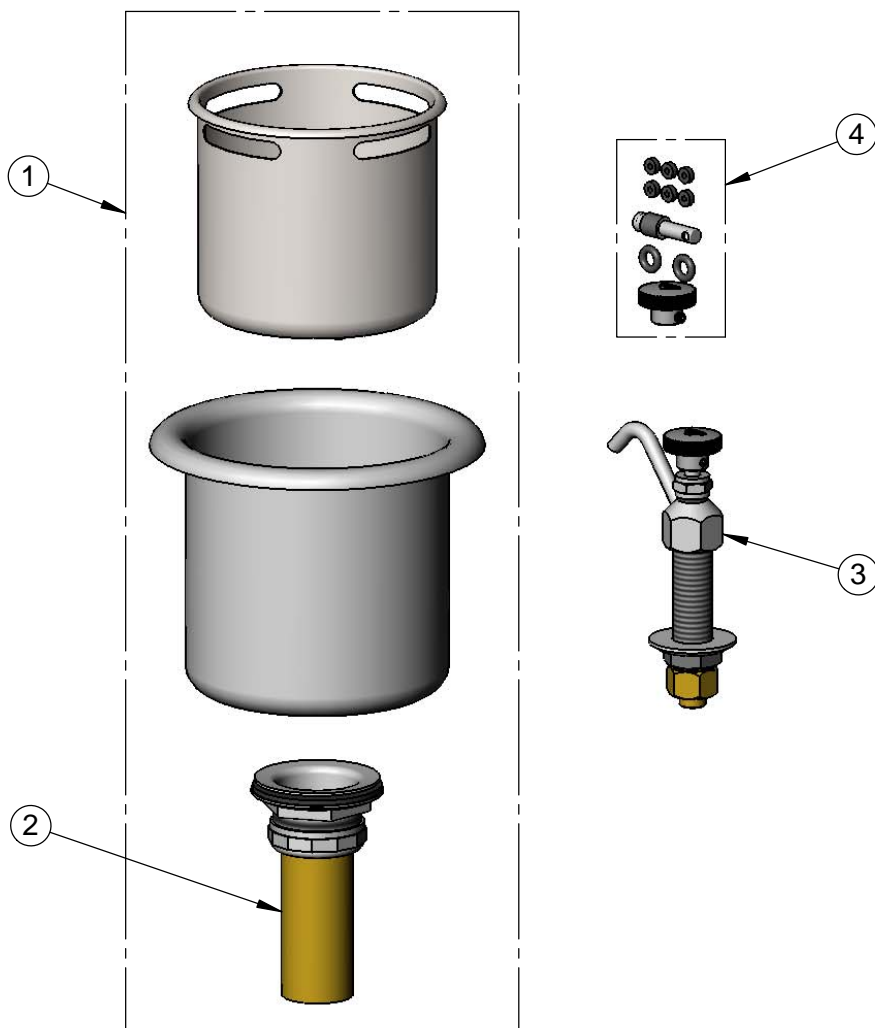
**T&S BRASS AND BRONZE WORKS, INC.**  
 2 Saddleback Cove / P.O. Box 1088  
 Travelers Rest, SC 29690

Model No.  
**B-2282-01-F05**

Item No.

Travelers Rest, SC: 800-476-4103 • Simi Valley, CA: 800-423-0150 • Fax: 864-834-3518 • www.tsbrass.com

ITEM NO.	SALES NO.	DESCRIPTION
1	006678-45	Dipperwell w/ Stainless Steel Overflow Cup & Drain
2	017225-45	Dipperwell Drain
3	B-2282-F05	Dipperwell Faucet w/ 0.5 GPM Flow Control
4	B-2282-RK	Parts Kit for Dipperwell



Product Specifications:  
 Dipperwell Faucet w/ Drain, Stainless Steel Bowl,  
 Inner Overflow Cup & 0.5 GPM Flow Control

Drawn <b>DMH</b>	Checked <b>KJG</b>	Approved <b>JHB</b>
Scale: <b>NTS</b>		Date: <b>05/22/13</b>