



T&S BRASS AND BRONZE WORKS, INC.

2 Saddleback Cove / P.O. Box 1088
Travelers Rest, SC 29690

Model No.

B-2285-B

Item No.

Travelers Rest, SC: 800-476-4103 • Simi Valley, CA: 800-423-0150 • Fax: 864-834-3518 • www.tsbrass.com

This Space for Architect/Engineer Approval

Job Name _____ Date _____

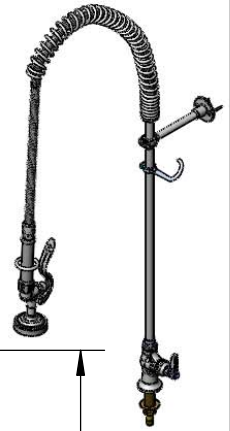
Model Specified _____ Quantity _____

Customer/Wholesaler _____

Contractor _____

Architect/Engineer _____

EPAct 2005 Compliant



44" Flex Hose w/
Overhead Spring &
Spray Valve Assembly

Flex Hose, Overhead
Spring & Spray Valve
Assembly Not Shown
for Clarity

004R
Finger Hook

3/8" NPT x 24" Riser

B-0107
Spray Valve
1.42 GPM

EasyInstall
Lock Nut & Bushing

Eterna Cartridge
& Lever Handle
w/ Blue Index

Mounting Surface

Fits Decks up to
1 1/8" [29mm] Thick or
1 1/4 [32mm] Thick
By Removing Washer

150A
Tailpiece & Nut
Furnished For Optional
1/4" NPT Connection

6" Wall
Bracket

42 1/2"
[1080mm]

13 3/8"
[339mm]

14 1/16"
[357mm]

Ø 2"
[51mm]

1/2" NPSM
Male Shank

Note: Rough-In Requirement
Ø 1 1/2" [Ø 38mm] Hole
(Ø 1 1/4" [Ø 32mm] Minimum)

Product Specifications:

EasyInstall Pre-Rinse Unit:
Single Deck Mount Base Faucet, 24" Riser, Overhead Spring,
6" Wall Bracket, 44" Flex Hose & B-0107 Spray Valve

Drawn

JRM

Checked

DMH

Approved

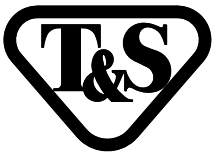
JHB

Scale:

1:9

Date:

11/23/11



T&S BRASS AND BRONZE WORKS, INC.

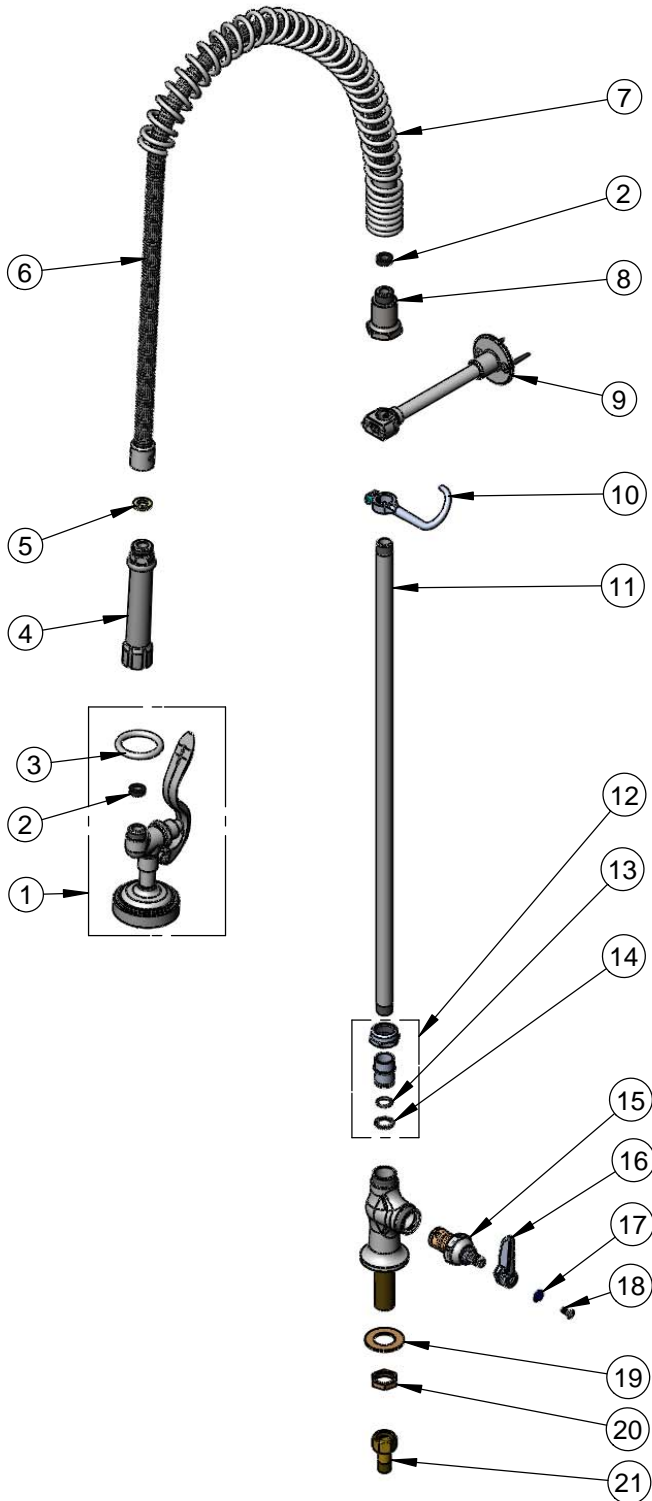
2 Saddleback Cove / P.O. Box 1088
Travelers Rest, SC 29690

Model No.

B-2285-B

Item No.

Travelers Rest, SC: 800-476-4103 • Simi Valley, CA: 800-423-0150 • Fax: 864-834-3518 • www.tsbrass.com



ITEM NO.	SALES NO.	DESCRIPTION
1	B-0107	Spray Valve Assembly w/ Hold Down Ring & Washer
2	010476-45	#27 Washer
3	000907-45	Spray Valve Hold Down Ring
4	002987-40	Grey Handle Assembly
5	001014-45	Washer, B-0100 Hose Barrel
6	B-0044-H2A	44" Flex Hose Assembly Less Handle
7	000888-45	EasyInstall Overhead Spring
8	000821-40	Spring Body
9	B-0109-01	6" Wall Bracket
10	004R	Finger Hook Assembly
11	000372-40	3/8" NPT x 24" Long Riser
12	EZ-K	EasyInstall Kit: Bushing, O-Ring, Lock Washer & Loctite 222
13	001065-45	O-Ring
14	014200-45	Star Washer, Anti-Rotation
15	005960-40	Eterna Cartridge RTC
16	001638-45	Lever Handle
17	001660-45	Blue Index-CW
18	000922-45	Lever Handle Screw
19	000999-45	Brass Lock Washer
20	002954-45	Shank Lock Nut
21	150A	Bag of (1) Nut & (1) Tailpiece

Product Specifications:
EasyInstall Pre-Rinse Unit:
 Single Deck Mount Base Faucet, 24" Riser, Overhead Spring,
 6" Wall Bracket, 44" Flex Hose & B-0107 Spray Valve

Drawn	Checked	Approved
JRM	DMH	JHB
Scale:		Date:
NTS		11/23/11