



T&S BRASS AND BRONZE WORKS, INC.

2 Saddleback Cove / P.O. Box 1088
Travelers Rest, SC 29690

Model No.

B-2285

Item No.

Travelers Rest, SC: 800-476-4103 • Simi Valley, CA: 800-423-0150 • Fax: 864-834-3518 • www.tsbrass.com

This Space for Architect/Engineer Approval

Job Name _____ Date _____

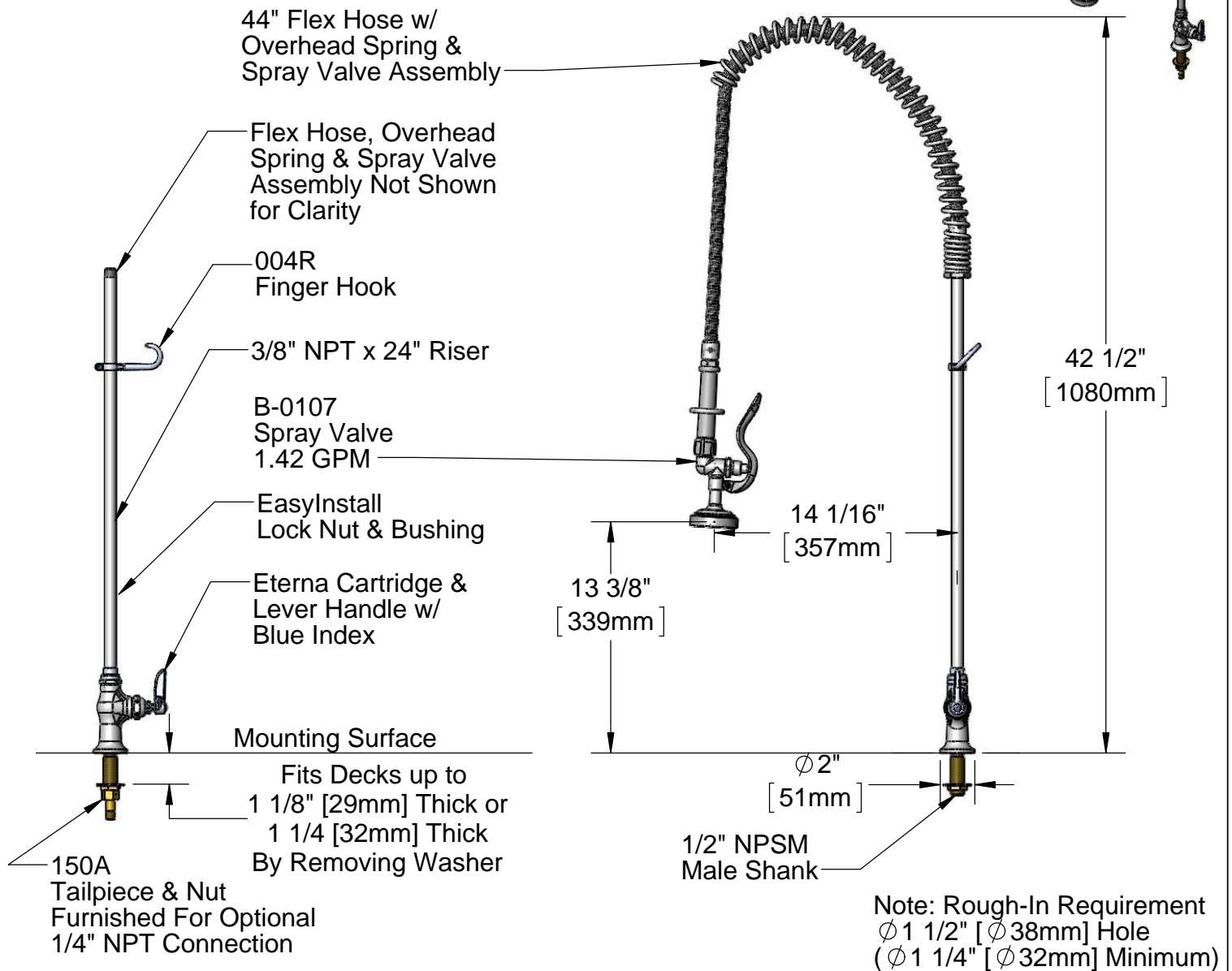
Model Specified _____ Quantity _____

Customer/Wholesaler _____

Contractor _____

Architect/Engineer _____

EPAct 2005 Compliant



Product Specifications:
EasyInstall Pre-Rinse Unit:
Single Deck Mount Base Faucet, 24" Riser, Overhead Spring,
44" Flex Hose & B-0107 Spray Valve

Drawn	Checked	Approved
JRM	DMH	JHB
Scale:	Date:	
1:9	11/23/11	



T&S BRASS AND BRONZE WORKS, INC.

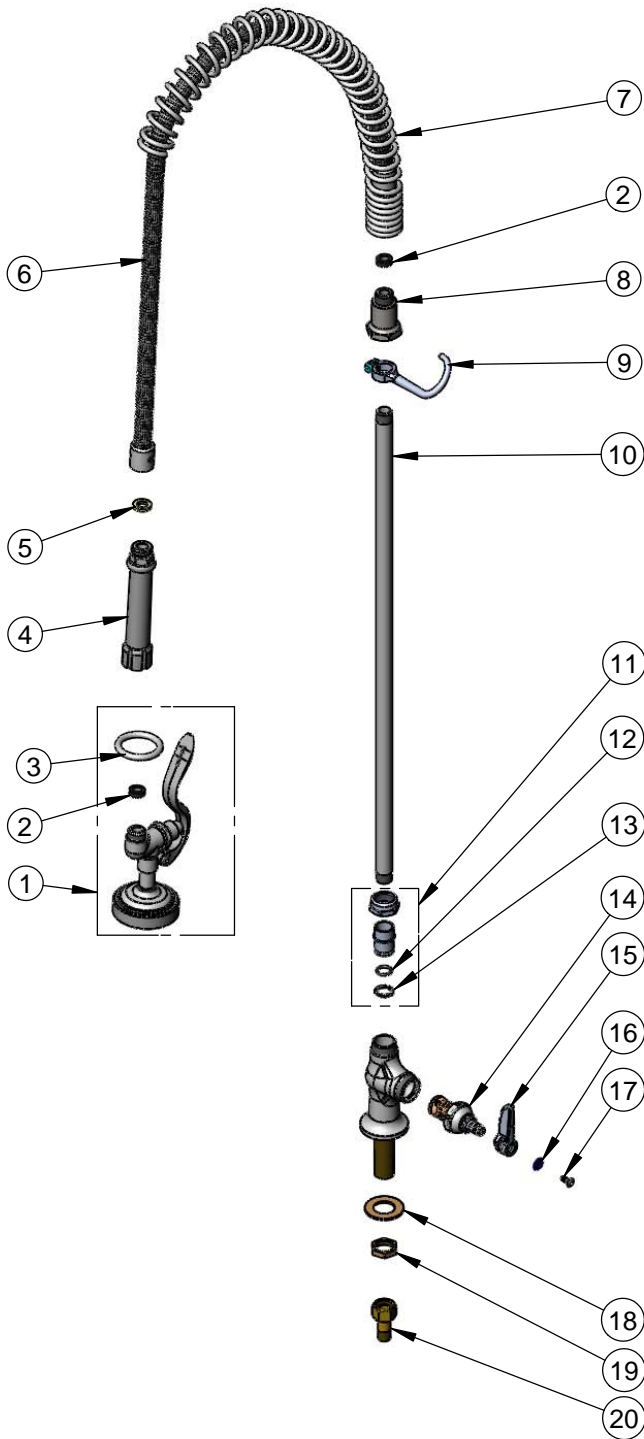
2 Saddleback Cove / P.O. Box 1088
Travelers Rest, SC 29690

Model No.

B-2285

Item No.

Travelers Rest, SC: 800-476-4103 • Simi Valley, CA: 800-423-0150 • Fax: 864-834-3518 • www.tsbrass.com



ITEM NO.	SALES NO.	DESCRIPTION
1	B-0107	Spray Valve Assembly w/ Hold Down Ring & Washer
2	010476-45	#27 Washer
3	000907-45	Spray Valve Hold Down Ring
4	002987-40	Grey Handle Assembly
5	001014-45	Washer, B-0100 Hose Barrel
6	B-0044-H2A	44" Flex Hose Assembly Less Handle
7	000888-45	EasyInstall Overhead Spring
8	000821-40	Spring Body
9	004R	Finger Hook Assembly
10	000372-40	3/8" NPT x 24" Long Riser
11	EZ-K	EasyInstall Kit: Bushing, O-Ring, Lock Washer & Loctite 222
12	001065-45	O-Ring
13	014200-45	Star Washer, Anti-Rotation
14	005960-40	Eterna Cartridge RTC
15	001638-45	Lever Handle
16	001660-45	Blue Index-CW
17	000922-45	Lever Handle Screw
18	000999-45	Brass Lock Washer
19	002954-45	Shank Lock Nut
20	150A	Bag of (1) Nut & (1) Tailpiece

Product Specifications:

EasyInstall Pre-Rinse Unit:
Single Deck Mount Base Faucet, 24" Riser, Overhead Spring,
44" Flex Hose & B-0107 Spray Valve

Drawn

JRM

Checked

DMH

Approved

JHB

Scale:

NTS

Date:

11/23/11