



T&S BRASS AND BRONZE WORKS, INC.
 2 Saddleback Cove / P.O. Box 1088
 Travelers Rest, SC 29690

Model No.
B-2290

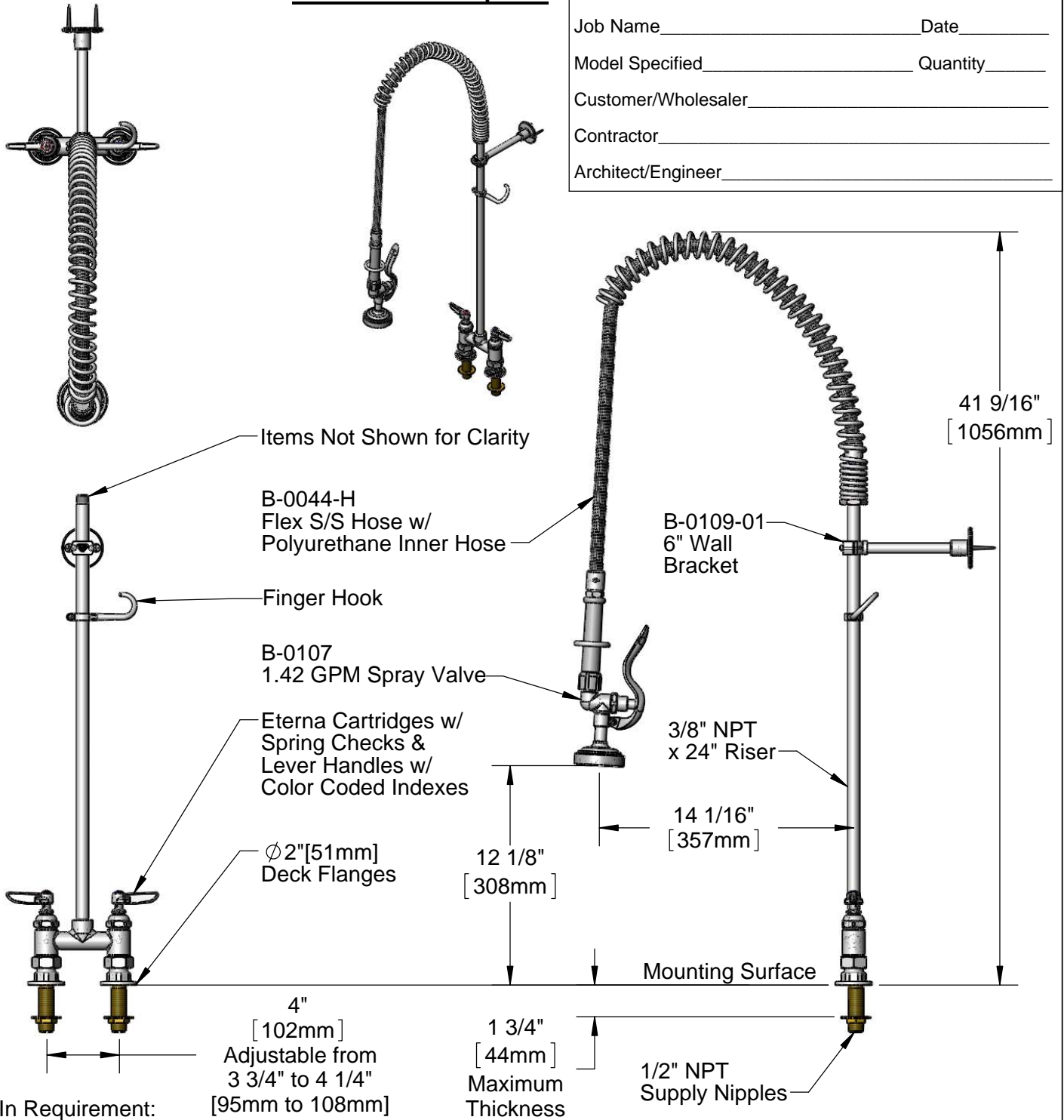
Item No.

Travelers Rest, SC: 800-476-4103 • Simi Valley, CA: 800-423-0150 • Fax: 864-834-3518 • www.tsbrass.com

EPAct 2005 Compliant

This Space for Architect/Engineer Approval

Job Name _____ Date _____
 Model Specified _____ Quantity _____
 Customer/Wholesaler _____
 Contractor _____
 Architect/Engineer _____



Rough-In Requirement:
 (2) Ø 1" [25mm] Holes

Product Specifications:
 Pre-Rinse Unit: 4" Deck Mount Mixing Faucet w/ Adjustable Deck Flanges, Eternas w/ Spring Checks, Spray Valve, Stainless Steel Flex Hose, 6" Wall Bracket, & 1/2" Supply Nipples

| | | |
|----------------------|-----------------------|--------------------------|
| Drawn DMH | Checked DHL | Approved JHB |
| Scale: 1:8 | | Date: 07/05/12 |



T&S BRASS AND BRONZE WORKS, INC.

2 Saddleback Cove / P.O. Box 1088
Travelers Rest, SC 29690

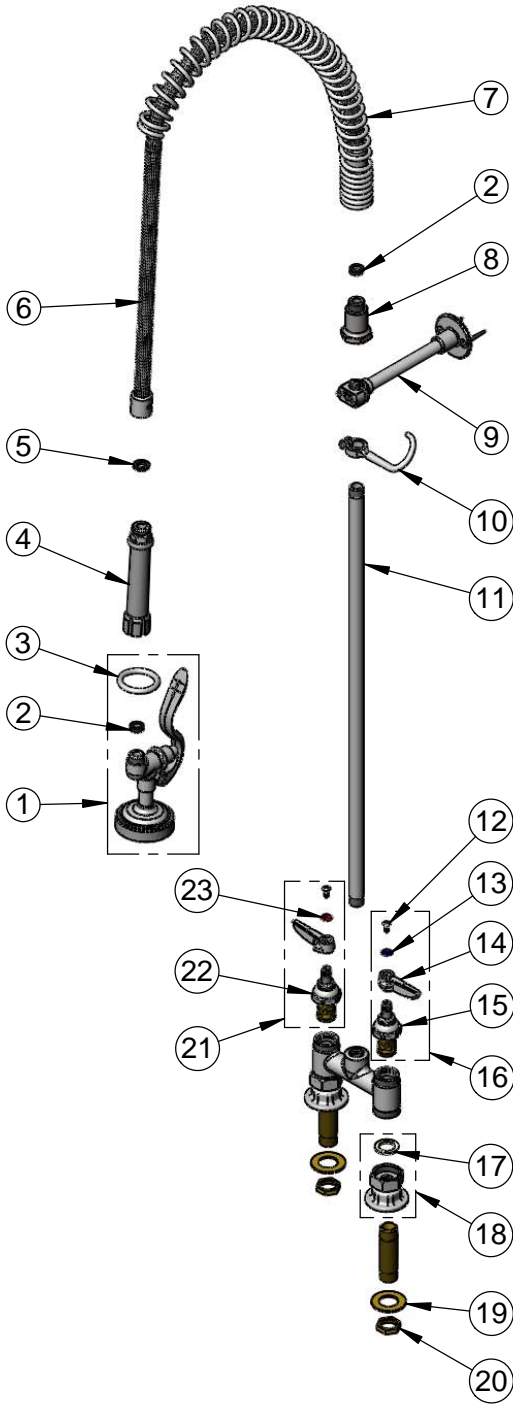
Model No.

B-2290

Item No.

Travelers Rest, SC: 800-476-4103 • Simi Valley, CA: 800-423-0150 • Fax: 864-834-3518 • www.tsbrass.com

| ITEM NO. | SALES NO. | DESCRIPTION |
|----------|------------|---|
| 1 | B-0107 | Spray Valve Assembly w/ Hold Down Ring & Washer |
| 2 | 010476-45 | #27 Washer |
| 3 | 000907-45 | Spray Valve Hold Down Ring |
| 4 | 002987-40 | Grip Handle Assembly |
| 5 | 001014-45 | Washer, B-0100 Hose Barrel |
| 6 | B-0044-H2A | SS Flex Hose |
| 7 | 000888-45 | EasyInstall Overhead Spring |
| 8 | 000821-40 | Spring Body |
| 9 | B-0109-01 | 6" Wall Bracket |
| 10 | 004R | Finger Hook Assembly |
| 11 | 000372-40 | Nipple, 3/8 x 24" |
| 12 | 000922-45 | Lever Handle Screw |
| 13 | 001660-45 | Blue Index-CW |
| 14 | 001638-45 | Lever Handle |
| 15 | 012442-40 | Eterna Cartridge, LTC w/ Spring Check |
| 16 | 002711-40 | Eterna Cartridge, LTC w/ Spring Check, Handle, Index, & Screw |
| 17 | 001019-45 | Coupling Nut Washer |
| 18 | 00AA | Flange Assembly |
| 19 | 000999-45 | Brass Lock Washer |
| 20 | 002954-45 | Shank Lock Nut |
| 21 | 002712-40 | Eterna Cartridge, RTC w/ Spring Check, Handle, Index, & Screw |
| 22 | 012443-40 | Eterna Cartridge, RTC w/ Spring Check |
| 23 | 001661-45 | Red Index-HW |



Product Specifications:

Pre-Rinse Unit: 4" Deck Mount Mixing Faucet w/ Adjustable Deck Flanges, Eternas w/ Spring Checks, Spray Valve, Stainless Steel Flex Hose, 6" Wall Bracket, & 1/2" Supply Nipples

Drawn

DMH

Checked

DHL

Approved

JHB

Scale:

NTS

Date:

07/05/12