



T&S BRASS AND BRONZE WORKS, INC.
 2 SADDLEBACK COVE / P.O. BOX 1088 / TRAVELERS REST, SC 29690
 PHONE 800-476-4103 - FAX 864- 834-3518



Model No.

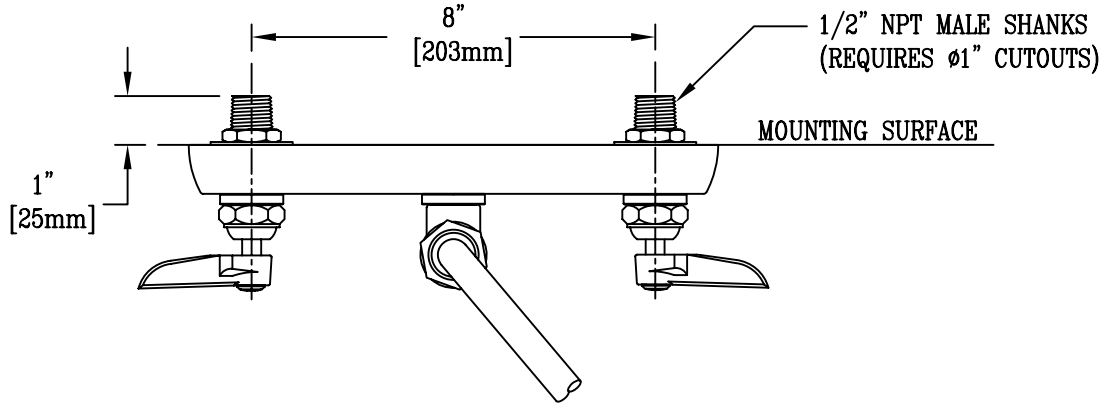
B-2291

**RELIABILITY
BUILT IN**

Job Name:

Architect/Engineer Approval:

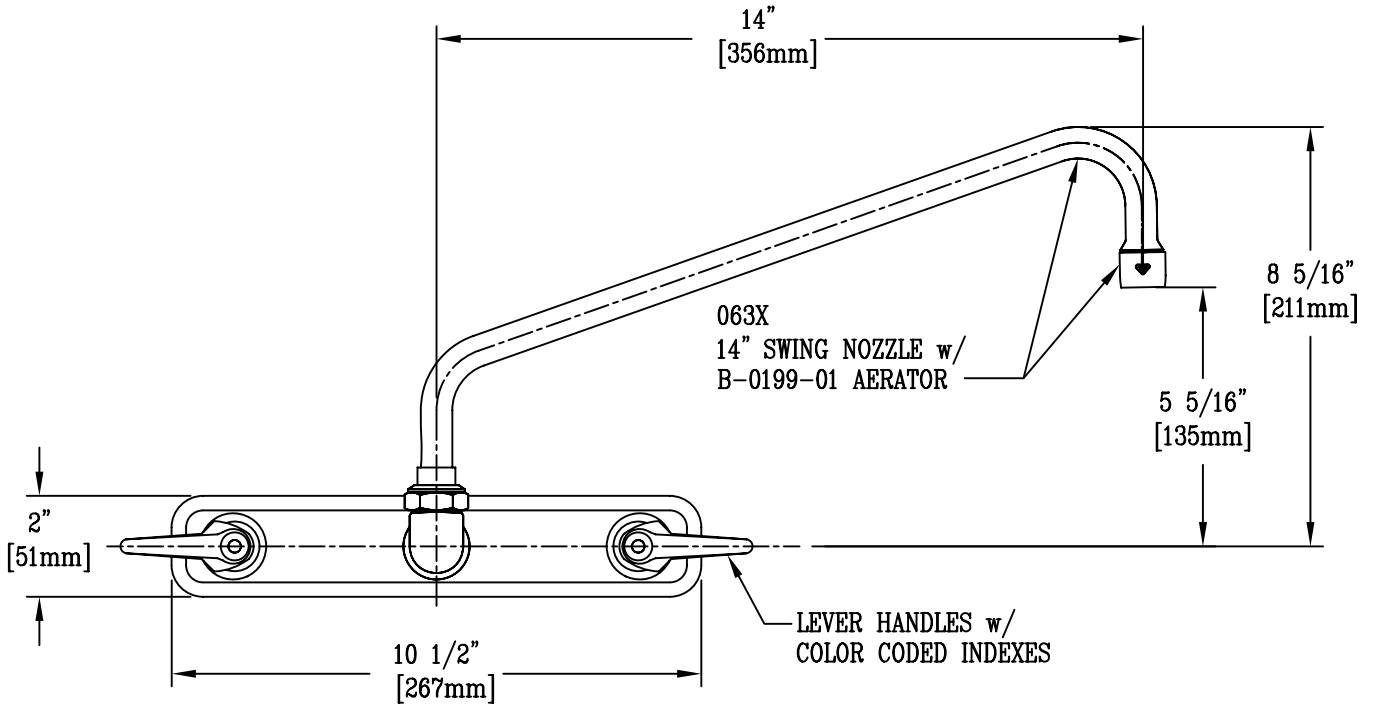
Notes:



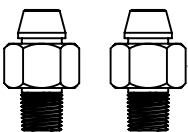
TOP VIEW



ADA Compliant



FRONT VIEW



150A Tailpiece and Nut
Furnished for 1/4" NPT
Connection

B-1100-K ELBOW KIT SOLD
SEPARATELY. CONTAINS (2)
1/2" NPT MALE 90° ELBOWS

Product Description:
 WALL MOUNT WORKBOARD FAUCET w/ 1/2" NPT
 MALE SHANKS, 8" INLET CENTERS, 14" SWING
 NOZZLE, B-0199-01 AERATOR & LEVER HANDLES

Drawn: KJG	Checked JRM	Scale: 1 : 4
Approved JHB	Date: 12/19/07	