



T&S BRASS AND BRONZE WORKS, INC.

2 Saddleback Cove / P.O. Box 1088
Travelers Rest, SC 29690



REG. #A2601
ISO #9001

Model No.

B-2299

Item No.

Travelers Rest, SC: 800-476-4103 • Simi Valley, CA: 800-423-0150 • Fax: 864-834-3518 • www.tsbrass.com

This Space for Architect/Engineer Approval

Job Name _____ Date _____

Model Specified _____ Quantity _____

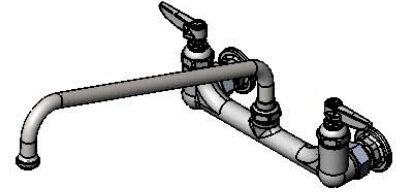
Customer/Wholesaler _____

Contractor _____

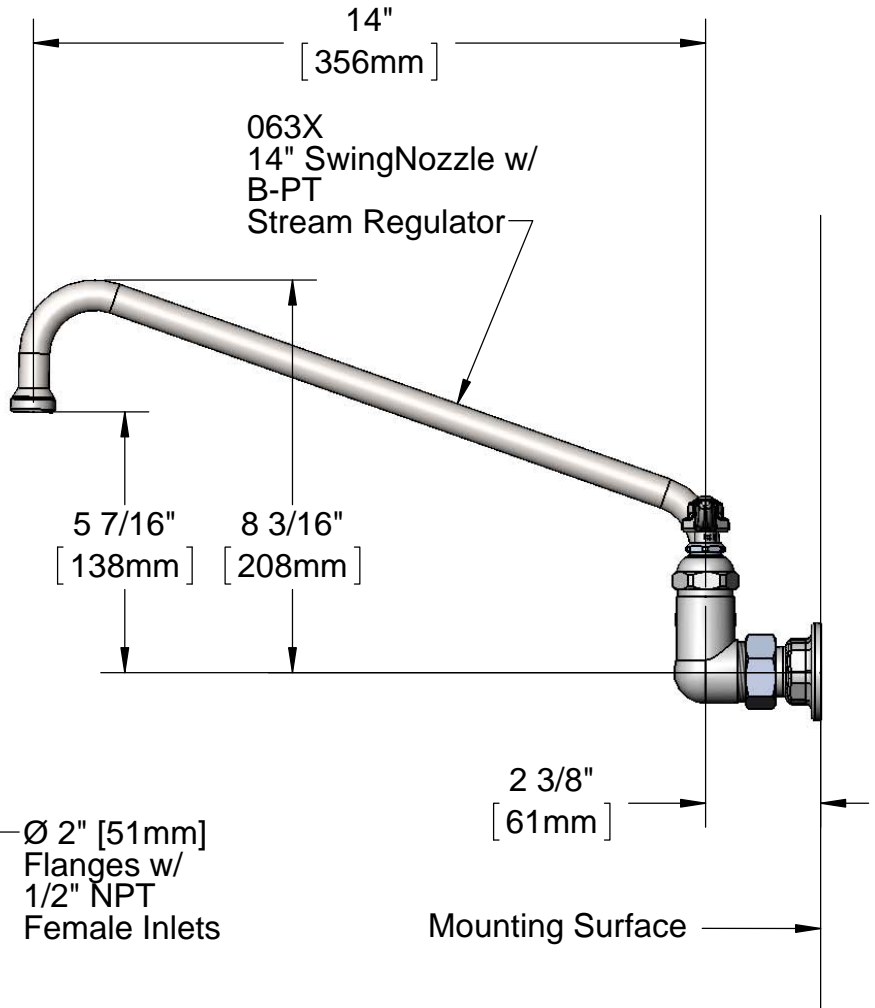
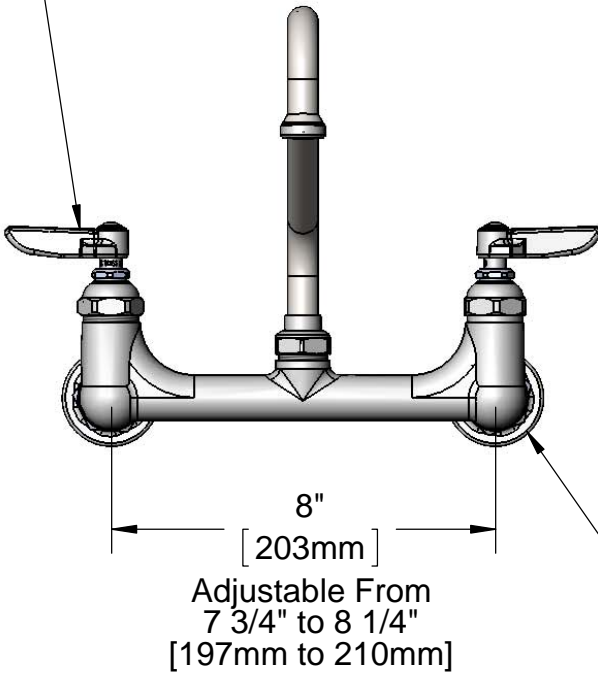
Architect/Engineer _____



ADA Compliant



Eterna Cartridges & Lever Handles w/ Color Coded Indexes



Product Specifications:

8" Inlet Centers Mixing Faucet, Eterna Cartridges, Lever Handles, 14" Swing Nozzle w/ Stream Regulator Outlet & 1/2" NPT Female Wall Flanges

Drawn

DHL

Checked

KJG

Approved

JHB

Scale:

1:4

Date:

07/01/11



T&S BRASS AND BRONZE WORKS, INC.

2 Saddleback Cove / P.O. Box 1088
Travelers Rest, SC 29690



REG. #A2601
ISO #9001

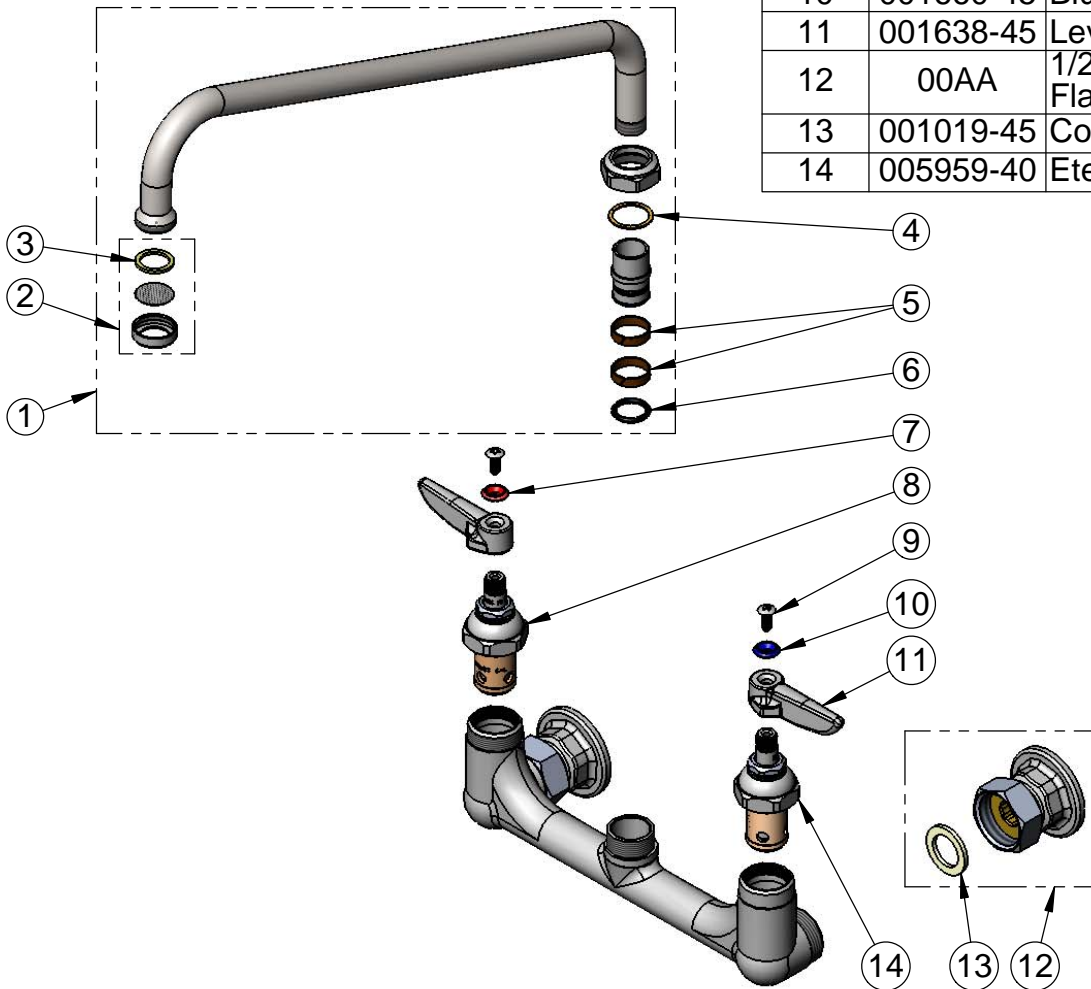
Model No.

B-2299

Item No.

Travelers Rest, SC: 800-476-4103 • Simi Valley, CA: 800-423-0150 • Fax: 864-834-3518 • www.tsbrass.com

ITEM NO.	SALES NO.	DESCRIPTION
1	063X	14" Swivel Nozzle w/ B-PT Stream Regulator
2	B-PT	Stream Regulator
3	001048-45	Nozzle Tip Washer
4	009538-45	Swivel Washer
5	011429-45	Swivel Sleeves (2)
6	001074-45	O-Ring
7	001661-45	Red Index-HW
8	005960-40	Eterna Cartridge - RTC
9	000922-45	Lever Handle Screw
10	001660-45	Blue Index-CW
11	001638-45	Lever Handle
12	00AA	1/2" NPT Female Inlet Wall Flange
13	001019-45	Coupling Nut Washer
14	005959-40	Eterna Cartridge - LTC



Product Specifications:

8" Inlet Centers Mixing Faucet, Eterna Cartridges, Lever Handles, 14" Swing Nozzle w/ Stream Regulator Outlet & 1/2" NPT Female Wall Flanges

Drawn

DHL

Checked

KJG

Approved

JHB

Scale:

NTS

Date:

07/01/11