



T&S BRASS AND BRONZE WORKS, INC.

2 Saddleback Cove / P.O. Box 1088
Travelers Rest, SC 29690

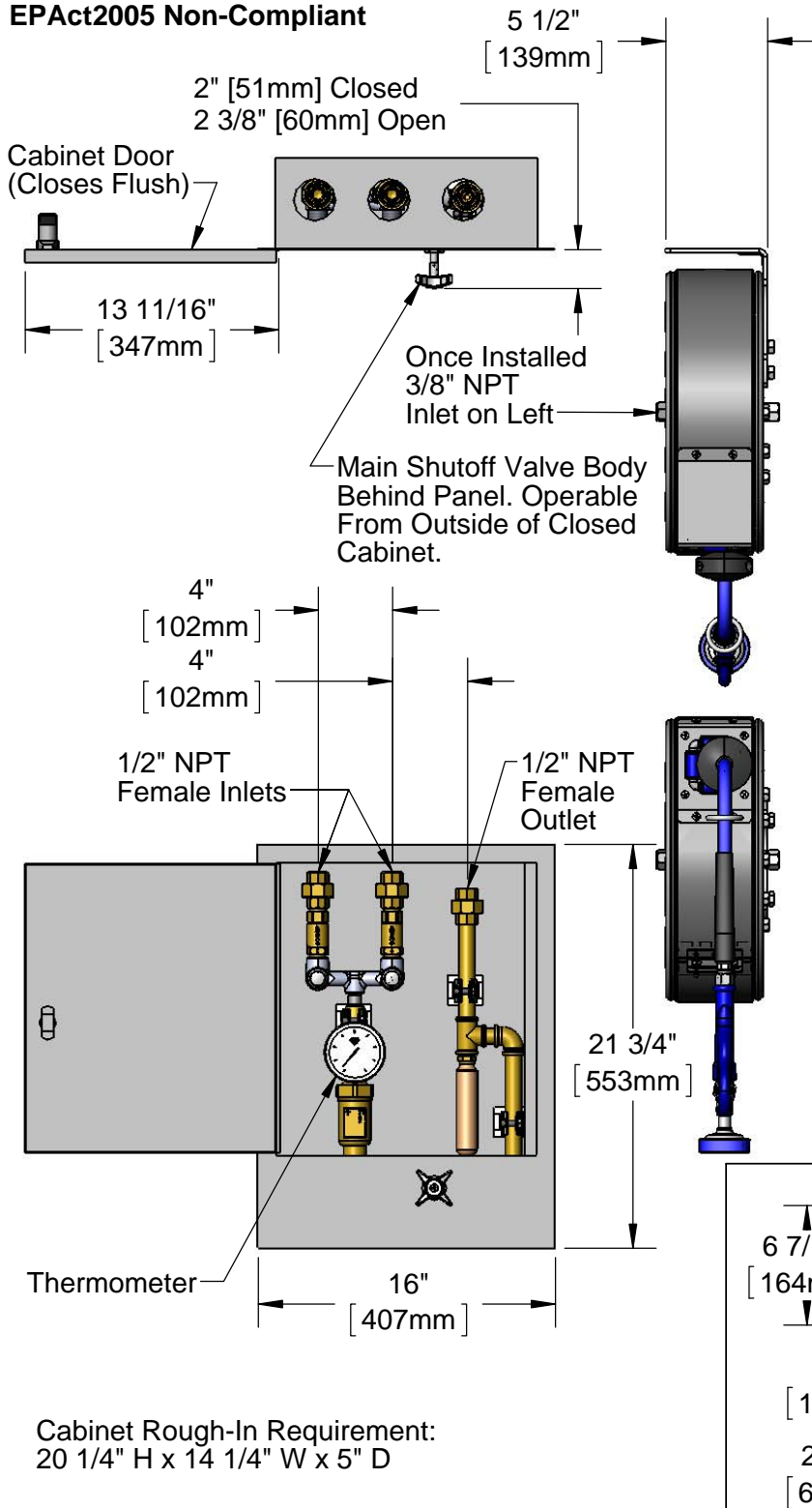
Model No.

B-2339

Item No.

Travelers Rest, SC: 800-476-4103 • Simi Valley, CA: 800-423-0150 • Fax: 864-834-3518 • www.tsbrass.com

EPAct2005 Non-Compliant



This Space for Architect/Engineer Approval

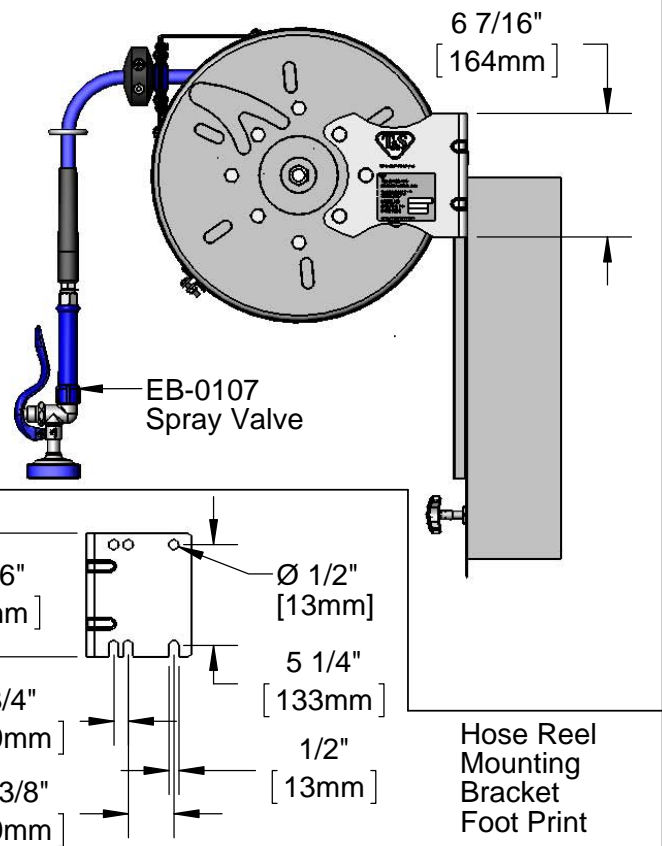
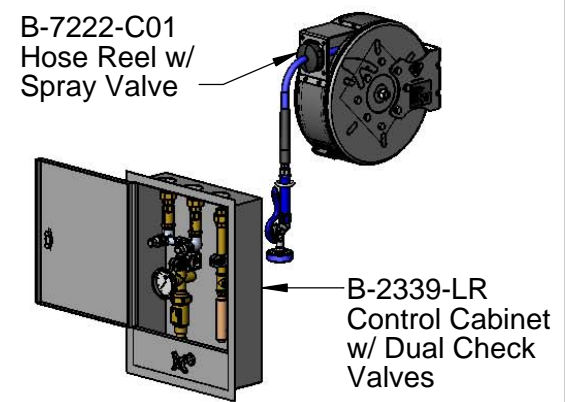
Job Name _____ Date _____

Model Specified _____ Quantity _____

Customer/Wholesaler _____

Contractor _____

Architect/Engineer _____



Product Specifications:
B-7222-C01 Enclosed Hose Reel w/ 30' Hose, EB-0107
Spray Valve, Rinse Control Cabinet w/ Control Valve, Dual
Check Valves, Thermometer & Water Hammer Arrestor

Drawn DHL	Checked DMH	Approved JHB
Scale: 1:10		Date: 02/11/13