



T&S BRASS AND BRONZE WORKS, INC.

2 Saddleback Cove / P.O. Box 1088
Travelers Rest, SC 29690

Model No.

B-2346

Item No.

Travelers Rest, SC: 800-476-4103 • Simi Valley, CA: 800-423-0150 • Fax: 864-834-3518 • www.tsbrass.com

This Space for Architect/Engineer Approval

Job Name _____ Date _____

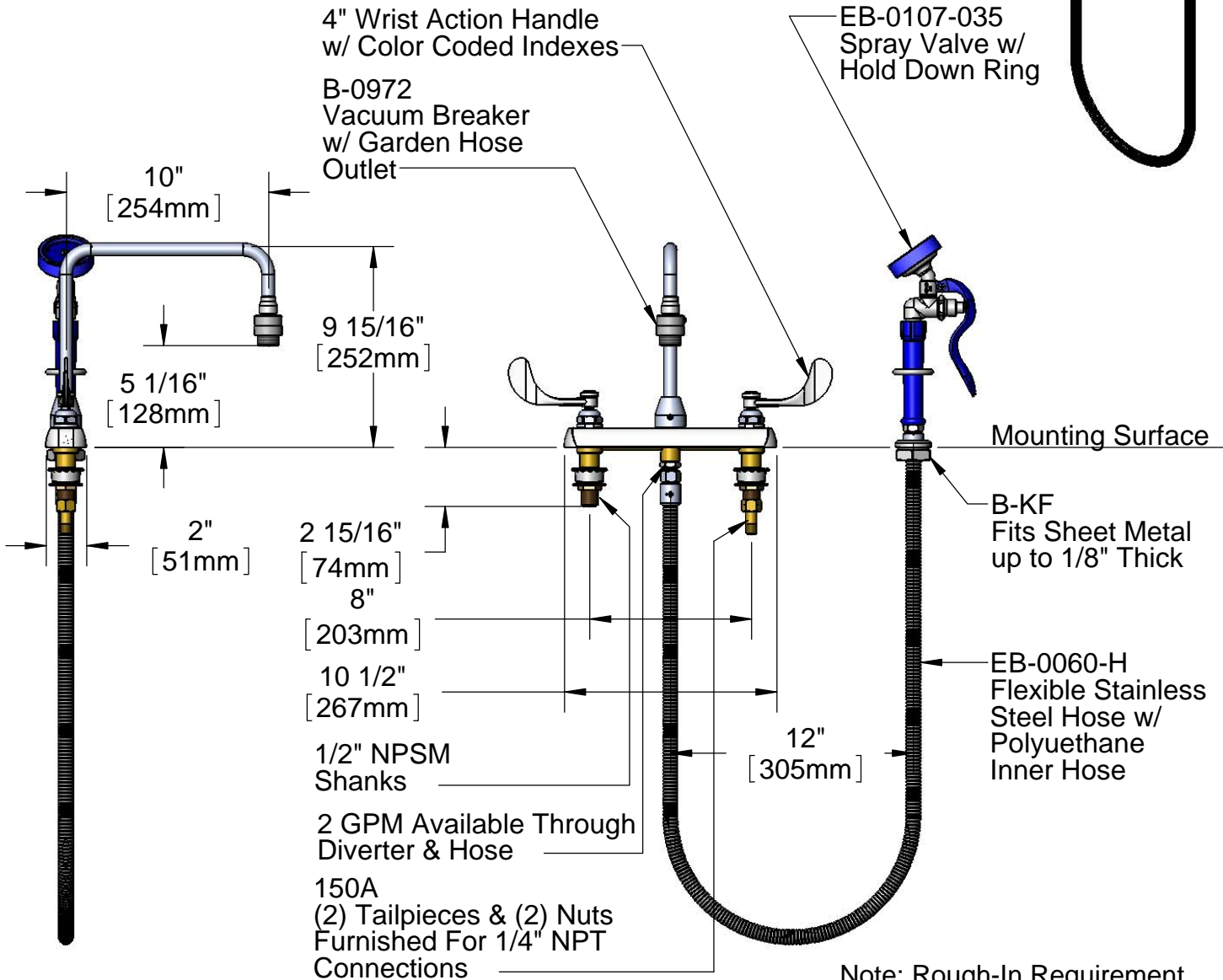
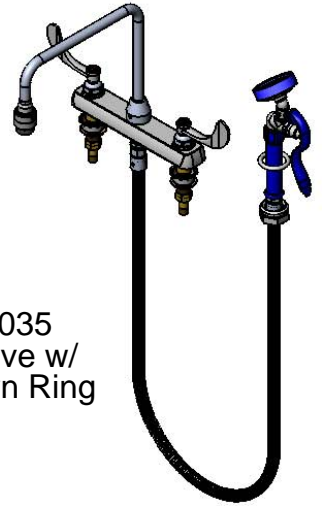
Model Specified _____ Quantity _____

Customer/Wholesaler _____

Contractor _____

Architect/Engineer _____

EPAct 2005 Non-Compliant



Note: Rough-In Requirement (3) Ø 1" [25mm] Mounting Holes

Product Specifications:

Sink Faucet w/ Sidespray, Vacuum Breaker Gooseneck w/ Garden Hose Thread Outlet, 8" c/c Inlets & 4" Wrist Action Handles

Drawn DHL	Checked KJG	Approved JHB
Scale: 1:8		Date: 01/05/12



T&S BRASS AND BRONZE WORKS, INC.

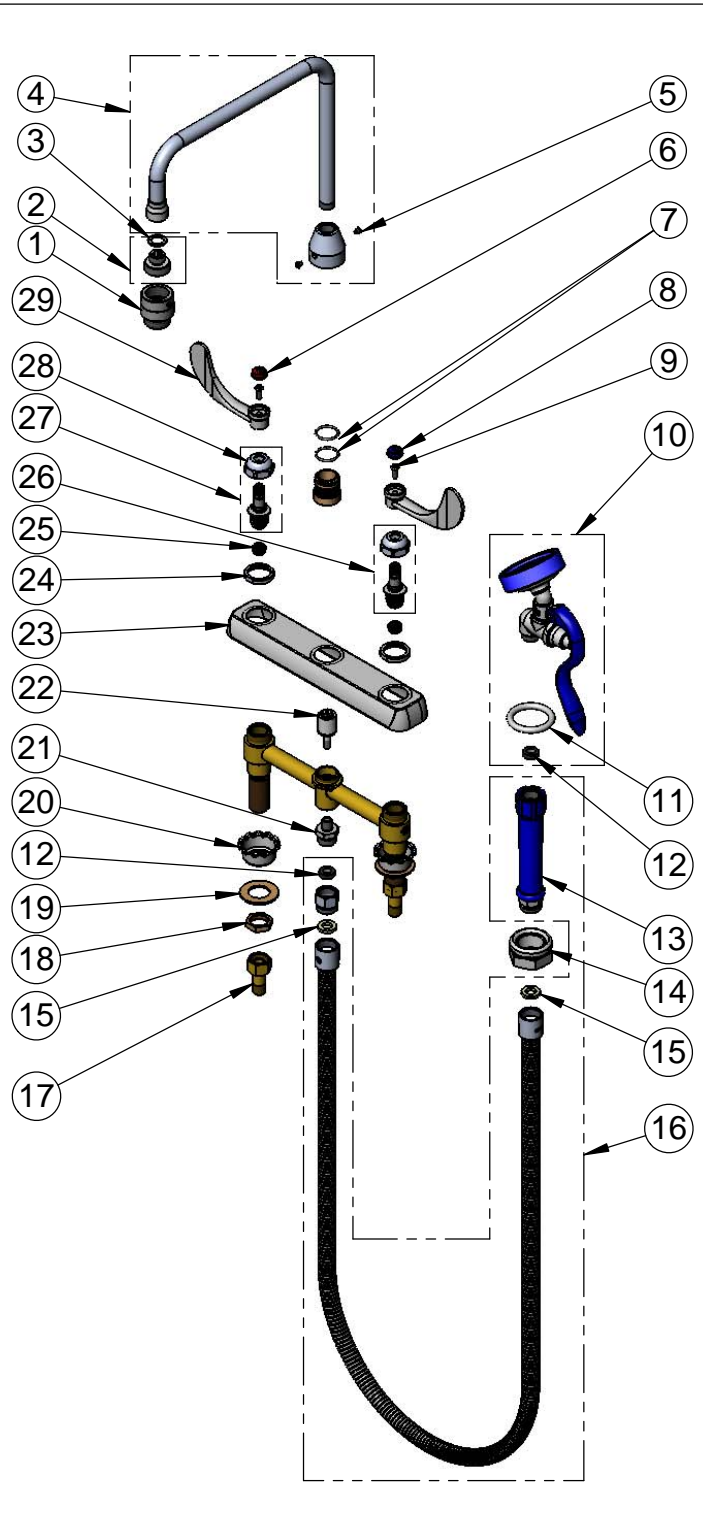
2 Saddleback Cove / P.O. Box 1088
Travelers Rest, SC 29690

Model No.

B-2346

Item No.

Travelers Rest, SC: 800-476-4103 • Simi Valley, CA: 800-423-0150 • Fax: 864-834-3518 • www.tsbrass.com



F	SALES NO.	DESCRIPTION
1	B-0972	VB, 3/4" Garden Hose Inlet & Outlet
2	B-GH	Garden Hose Outlet
3	001043-45	Washer
4	009556-40	Swivel Gooseneck (Less Vacuum Breaker)
5	001486-45	Diverter Cover Screw
6	001194-45	Red HW Index
7	001069-45	O-ring - 020
8	001686-45	Blue CW Index
9	000925-45	Lab Handle Screw
10	EB-0107-035	Blue Spray Valve w/ Angled Spray Face
11	000907-45	Spray Valve Hold Down Ring
12	010476-45	#27 Washer
13	011482-40	Blue Handle Grip
14	B-KF	Protective Flange
15	001014-45	Washer, B-0100 Hose Barrel
16	EB-0060-H	60" Blue Flex Hose Assembly w/ Blue Handle
17	150A	(1) Tailpiece & (1) Nut for 1/4" NPT Connection
18	002954-45	Shank Lock Nut
19	000999-45	Brass Lock Washer
20	001000-45	Rosette Washer
21	000542-25	1/8" x 3/4-14 Male Adapter
22	002338-45	Valve Diverter Piston
23	001259-40	Escutcheon
24	000712-25	Escutcheon Lock Nut
25	000763-20	Seat
26	009424-40	LH Spindle Assembly
27	009423-40	RH Spindle Assembly
28	009749-25	Bonnet Nut
29	B-WH4	4" Wrist Action Handle

Product Specifications:
Sink Faucet w/ Sidespray, Vacuum Breaker Gooseneck w/ Garden Hose Thread Outlet, 8" c/c Inlets & 4" Wrist Action Handles

Drawn DHL	Checked KJG	Approved JHB
Scale: NTS		Date: 01/05/12