



T&S BRASS AND BRONZE WORKS, INC.

2 Saddleback Cove / P.O. Box 1088
Travelers Rest, SC 29690

Model No.

B-2480

Item No.

Travelers Rest, SC: 800-476-4103 • Simi Valley, CA: 800-423-0150 • Fax: 864-834-3518 • www.tsbrass.com

This Space for Architect/Engineer Approval

Job Name _____ Date _____

Model Specified _____ Quantity _____

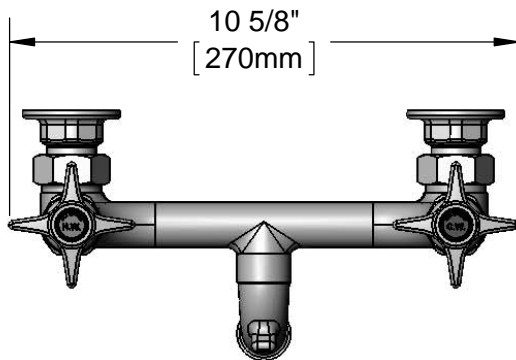
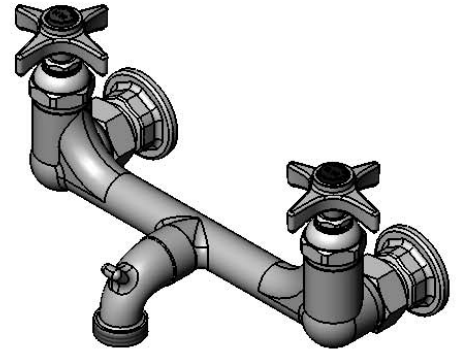
Customer/Wholesaler _____

Contractor _____

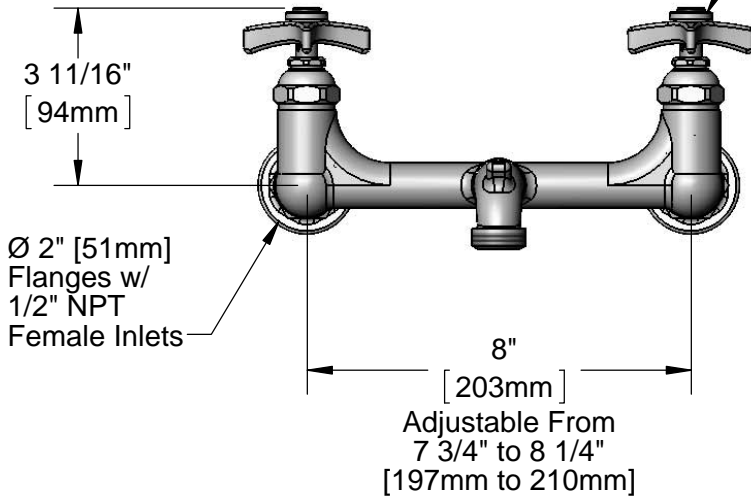
Architect/Engineer _____



ADA Compliant

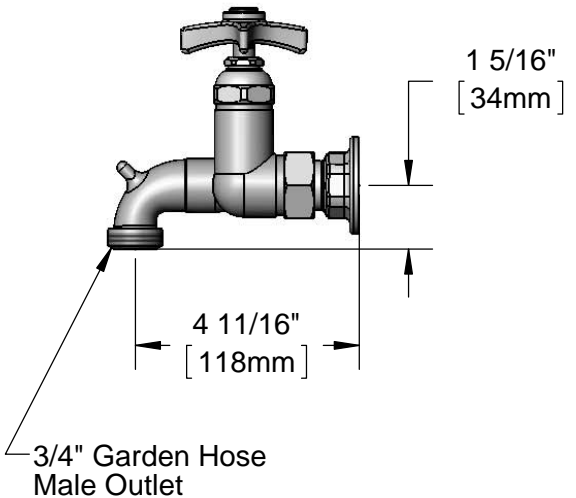


Eterna Cartridges w/
Spring Checks &
4-Arm Handles w/
Color Coded Indexes



Ø 2" [51mm]
Flanges w/
1/2" NPT
Female Inlets

Adjustable From
7 3/4" to 8 1/4"
[197mm to 210mm]



3/4" Garden Hose
Male Outlet

Product Specifications:

8" Wall Mount Rough Chrome Service Sink Faucet, Eterna Cartridges w/ Spring Checks, 4-Arm Handles, 3/4" Garden Hose Male Outlet & 1/2" NPT Female Inlets

Drawn

DHL

Checked

DMH

Approved

JHB

Scale:

1:4

Date:

11/02/12



T&S BRASS AND BRONZE WORKS, INC.

2 Saddleback Cove / P.O. Box 1088
Travelers Rest, SC 29690

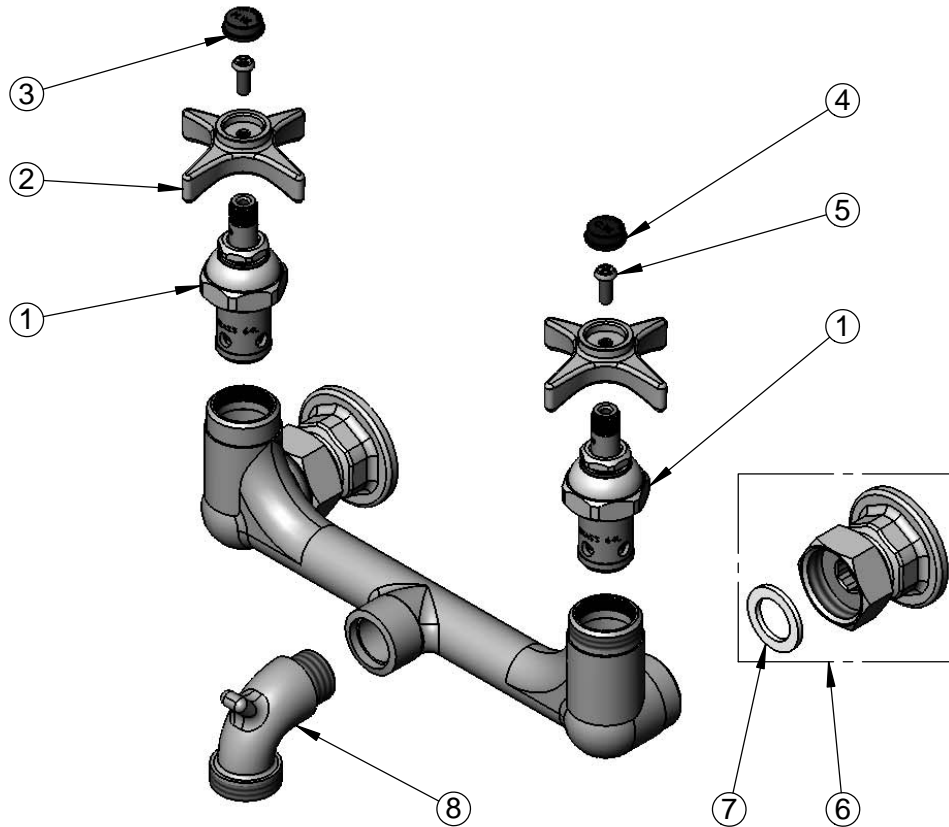
Model No.

B-2480

Item No.

Travelers Rest, SC: 800-476-4103 • Simi Valley, CA: 800-423-0150 • Fax: 864-834-3518 • www.tsbrass.com

ITEM NO.	SALES NO.	DESCRIPTION
1	012443-40	Eterna Cartridge, RTC
2	000059-40	4-Arm Lab Handle
3	001194-45	Red HW Index
4	001686-45	Blue CW Index
5	000925-45	Lab Handle Screw
6	00AA	1/2" NPT Female Eccentric Flange
7	001019-45	Coupling Nut Washer
8	000270-25	Short Spout w/ Garden Hose Outlet & Pail Hook



Product Specifications:

8" Wall Mount Rough Chrome Service Sink Faucet, Eterna Cartridges w/ Spring Checks, 4-Arm Handles, 3/4" Garden Hose Male Outlet & 1/2" NPT Female Inlets

Drawn

DHL

Checked

DMH

Approved

JHB

Scale:

NTS

Date:

11/02/12