



# T&S BRASS AND BRONZE WORKS, INC.

2 Saddleback Cove / P.O. Box 1088  
Travelers Rest, SC 29690



REG. #A2601  
ISO #9001

Model No.

**B-2710-WS**

Item No.

Travelers Rest, SC: 800-476-4103 Simi Valley, CA: 800-423-0150 Fax: 864-834-3518 www.tsbrass.com

This Space for Architect/Engineer Approval

Job Name \_\_\_\_\_ Date \_\_\_\_\_

Model Specified \_\_\_\_\_ Quantity \_\_\_\_\_

Customer/Wholesaler \_\_\_\_\_

Contractor \_\_\_\_\_

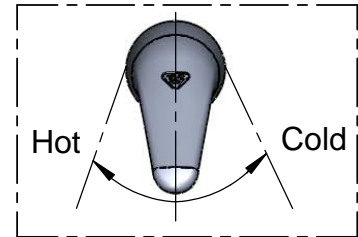
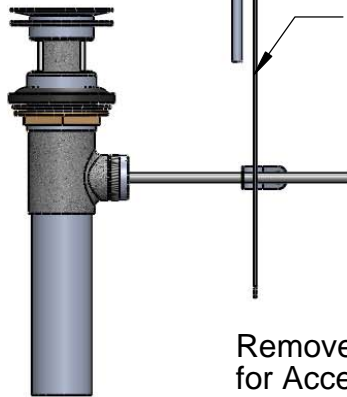
Architect/Engineer \_\_\_\_\_



**ADA Compliant**

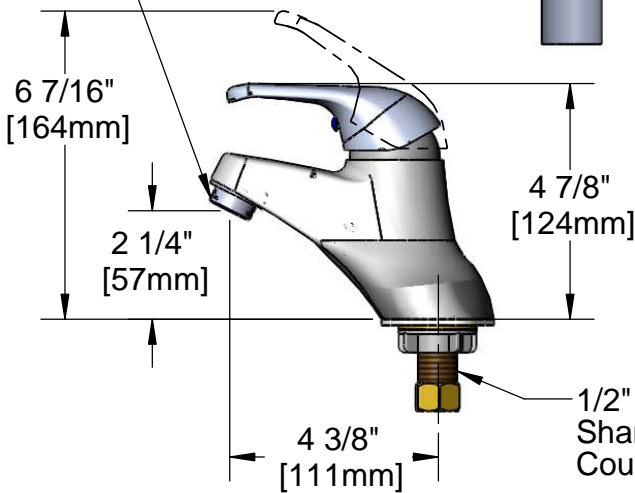


Pop-up  
Drain Assembly



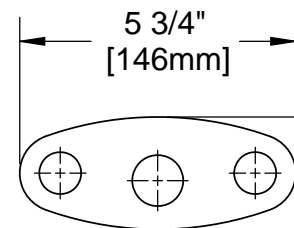
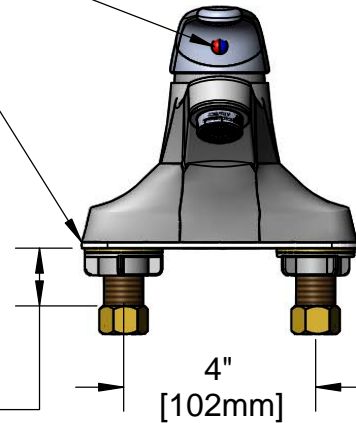
Removeable Index  
for Access to Handle  
Fastening Screw

WaterSense  
1.5 GPM Aerator



Deck Gasket

1" [25mm]  
Max. C'Top  
Thickness



Note: Faucet Contains Temperature Limit Adjustment.  
Remove Handle with Hex Key to Access and  
Reposition Stop, to the Left or Right of Original  
Position for Lower or Higher Maximum Temperature

Rough-in Requirement:  $\phi$  1" [25mm] Holes

Product Specifications:

4" Centerset Single Lever Faucet, 1/2" NPSM Male Inlet Shanks,  
Pop-up Drain, Temperature Limit Stop & Ceramic Cartridge,  
1.5 GPM Aerator

Drawn	Checked	Approved
KJG	GEF	JHB
Scale:		Date:
1:4		06/16/11



# T&S BRASS AND BRONZE WORKS, INC.

2 Saddleback Cove / P.O. Box 1088  
Travelers Rest, SC 29690



REG. #A2601  
ISO #9001

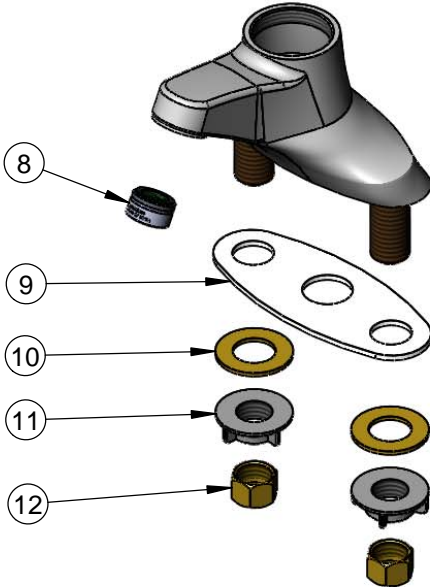
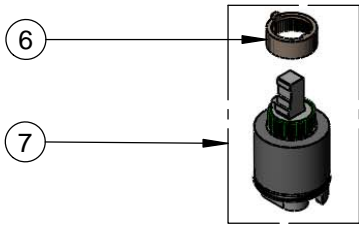
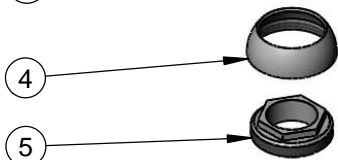
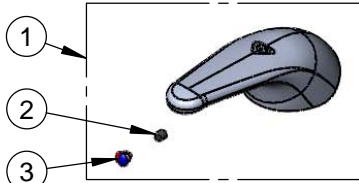
Model No.

**B-2710-WS**

Item No.

Travelers Rest, SC: 800-476-4103 Simi Valley, CA: 800-423-0150 Fax: 864-834-3518 www.tsbrass.com

ITEM NO.	SALES NO.	DESCRIPTION
1	013113-45	B-2710 Handle, Single Lever
2	016675-45	Set Screw
3	014173-45	Index, Temperature
4	016661-45	Trim Ring
5	016663-45	Locking Nut
6	015400-45	Temperature Limit Stop
7	013111-45	B-2710 Cartridge Assembly
8	B-0199-04-WS	1.5 GPM Aerator, 15/16-27 Male
9	014167-45	Deck Gasket
10	000999-45	Brass Lock Washer
11	016673-45	Shank Nut
12	000958-20	Coupling Nut
13	B-0898	Pop-Up Assembly



**Product Specifications:**

4" Centerset Single Lever Faucet, 1/2" NPSM Male Inlet Shanks, Pop-up Drain, Temperature Limit Stop & Ceramic Cartridge, 1.5 GPM Aerator

Drawn	Checked	Approved
KJG	GEF	JHB
Scale:		Date:
1:4		06/16/11