



T&S BRASS AND BRONZE WORKS, INC.

2 Saddleback Cove / P.O. Box 1088
Travelers Rest, SC 29690



REG. #A2601
ISO #9001

Model No.

B-2711-VF05

Item No.

Travelers Rest, SC: 800-476-4103 Simi Valley, CA: 800-423-0150 Fax: 864-834-3518 www.tsbrass.com

This Space for Architect/Engineer Approval

Job Name _____ Date _____

Model Specified _____ Quantity _____

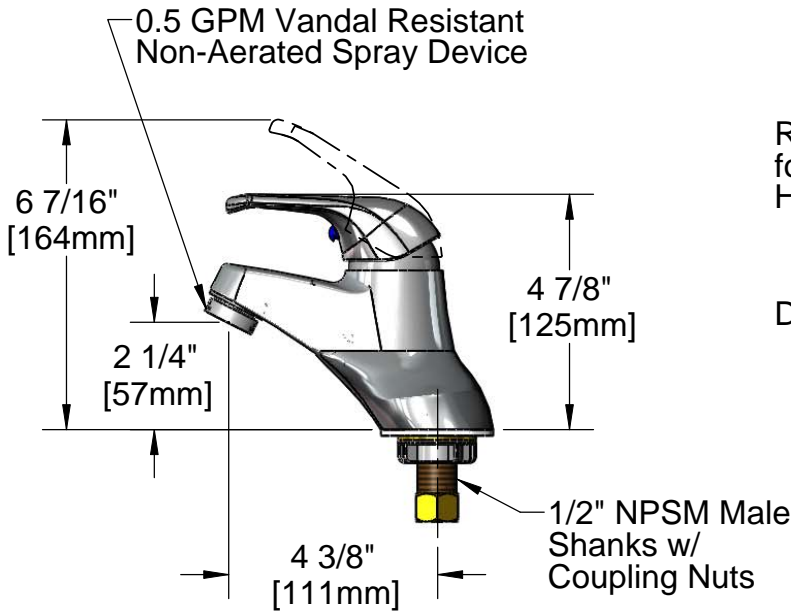
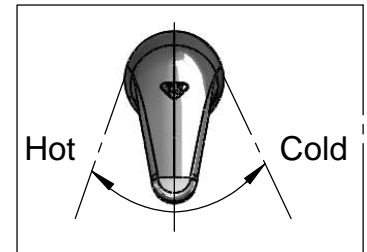
Customer/Wholesaler _____

Contractor _____

Architect/Engineer _____



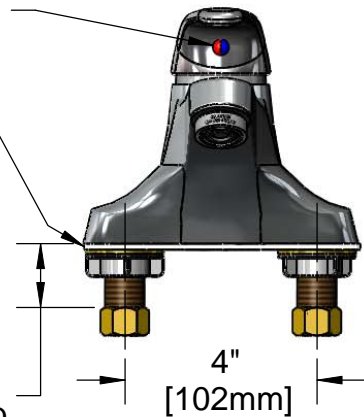
ADA Compliant



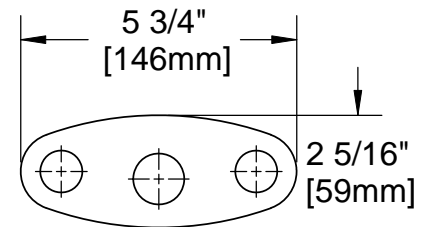
Removable Index for Access to Handle Screw

Deck Gasket

1" [25mm] Max. C'Top Thickness



Note: Faucet Contains Temperature Limit Adjustment. Remove Handle with Hex Key to Access and Reposition Stop, to the Left or Right of Original Position for Lower or Higher Maximum Temperature



Rough-in Requirement: ϕ 1" [25mm] Holes

Product Specifications:

4" Centerset Single Lever Faucet, 1/2" NPSM Male Inlet Shanks, Temperature Limit Stop & Ceramic Cartridge, 0.5 GPM Vandal Resistant Non-Aerated Spray Device

Drawn	Checked	Approved
DMH	KJG	JHB
Scale:		Date:
1:4		07/09/10



T&S BRASS AND BRONZE WORKS, INC.

2 Saddleback Cove / P.O. Box 1088
Travelers Rest, SC 29690



REG. #A2601
ISO #9001

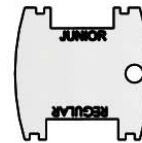
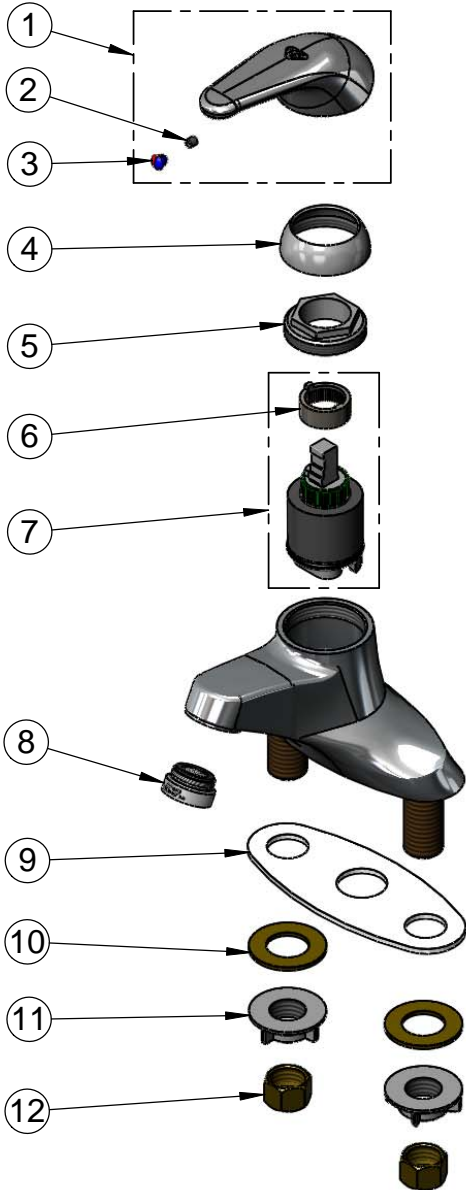
Model No.

B-2711-VF05

Item No.

Travelers Rest, SC: 800-476-4103 Simi Valley, CA: 800-423-0150 Fax: 864-834-3518 www.tsbrass.com

ITEM NO.	SALES NO.	DESCRIPTION
1	013113-45	B-2710 Handle, Single Lever
2	016675-45	Set Screw
3	014173-45	Index, Temperature
4	016661-45	Trim Ring
5	016663-45	Locking Nut
6	015400-45	Temperature Limit Stop
7	013111-45	B-2710 Cartridge Assembly
8	B-0199-09-N05	0.5 GPM VR Spray Device, 15/16-27 Male
9	014167-45	Deck Gasket
10	000999-45	Brass Lock Washer
11	016673-45	Shank Nut
12	000958-20	Coupling Nut



015425-45
Vandal Resistant Key
(Included with Spray Device)

Product Specifications:

4" Centerset Single Lever Faucet, 1/2" NPSM Male Inlet Shanks, Temperature Limit Stop & Ceramic Cartridge, 0.5 GPM Vandal Resistant Non-Aerated Spray Device

Drawn DMH	Checked KJG	Approved JHB
Scale: 1:4		Date: 07/09/10