



# T&S BRASS AND BRONZE WORKS, INC.

2 Saddleback Cove / P.O. Box 1088  
Travelers Rest, SC 29690



REG. #A2601  
ISO #9001

Model No.

**B-3950-01**

Item No.

Travelers Rest, SC: 800-476-4103 Simi Valley, CA: 800-423-0150 Fax: 864-834-3518 www.tsbrass.com

This Space for Architect/Engineer Approval

Job Name \_\_\_\_\_ Date \_\_\_\_\_

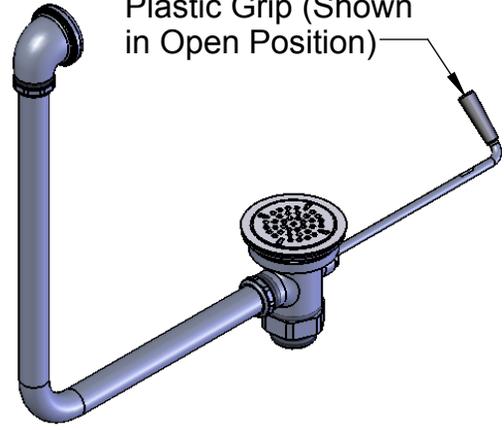
Model Specified \_\_\_\_\_ Quantity \_\_\_\_\_

Customer/Wholesaler \_\_\_\_\_

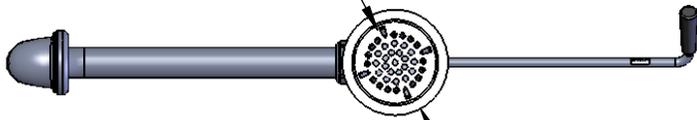
Contractor \_\_\_\_\_

Architect/Engineer \_\_\_\_\_

Twist Handle w/  
Heat Resistant  
Plastic Grip (Shown  
in Open Position)



Removable  
Snap-in Strainer



Ø4 7/16"  
[113mm]

Ø2 11/16"  
[68mm]

Ø1 1/4" [32mm] O.D.  
Overflow Tube

Ø2" [51mm] Opening Required

12 1/4" ± 1/4"  
[312mm]

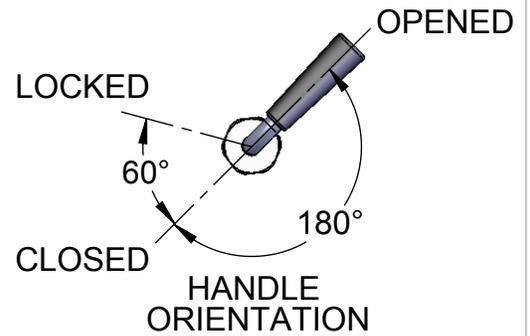
19 3/8"  
[492mm]

5 3/4"  
[146mm]

2 5/8"  
[67mm]

15 3/8"  
[391mm]

Adapter Converts 2" NPT  
Male to 1 1/2" NPT Male.  
Remove Adapter when 2"  
NPT Male Thread is Needed.



Product Specifications:

Rotary Waste Valve w/ Twist Handle, 3 1/2" Sink Opening, 2" NPT Male Outlet, 1 1/2" NPT Male Adapter & Overflow Tube w/ Head Asm.

|               |                  |                 |
|---------------|------------------|-----------------|
| Drawn<br>DHL  | Checked<br>JRM   | Approved<br>JHB |
| Scale:<br>1:8 | Date:<br>3/19/07 |                 |



**T&S BRASS AND BRONZE WORKS, INC.**

2 Saddleback Cove / P.O. Box 1088  
Travelers Rest, SC 29690



REG. #A2601  
ISO #9001

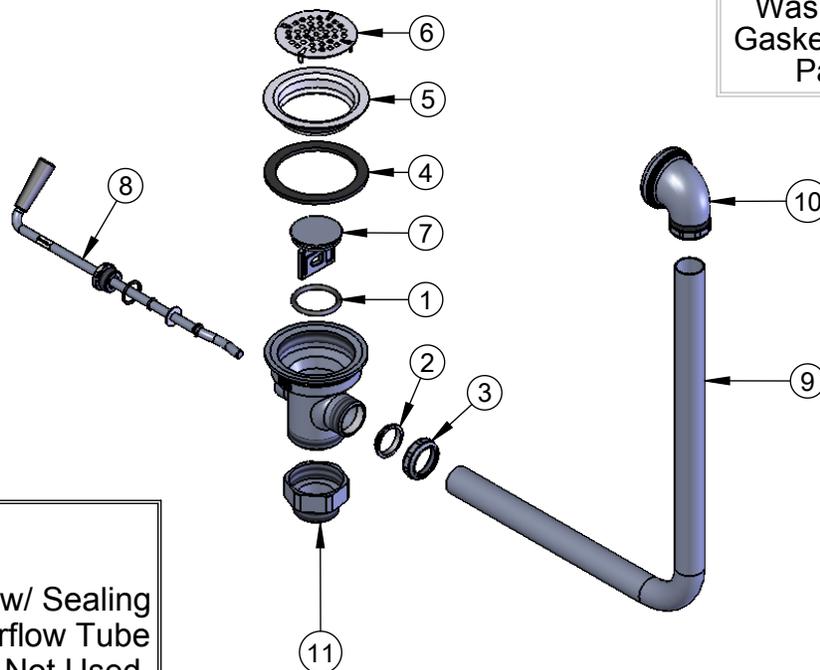
Model No.

**B-3950-01**

Item No.

Travelers Rest, SC: 800-476-4103 Simi Valley, CA: 800-423-0150 Fax: 864-834-3518 www.tsbrass.com

| ITEM NO. | SALES NO. | DESCRIPTION                          |
|----------|-----------|--------------------------------------|
| 1        | 010389-45 | O-Ring, Plunger                      |
| 2        | 010390-45 | Ferrule, Coupling Nut                |
| 3        | 010391-45 | Nut, Coupling For Twist Drain        |
| 4        | 010382-45 | Gasket, 3 1/2" Face Flange           |
| 5        | 010384-45 | Flange, 3 1/2" Face                  |
| 6        | 010386-45 | Strainer, 3 1/2" Snap-in Removable   |
| 7        | 010388-45 | Plunger, Twist Drain                 |
| 8        | 010393-45 | Handle Asm, Rotary Waste Valve Twist |
| 9        | 011355-45 | Tube, Overflow Elbow                 |
| 10       | 011356-45 | Head Asm, Overflow Tube              |
| 11       | B-3945    | Adapter, 2" NPT x 1 1/2" NPT         |



Also Furnished w/ Sealing Cap When Overflow Tube Coupling Nut is Not Used.  
PN# 012640-45

Product Specifications:

Rotary Waste Valve w/ Twist Handle, 3 1/2" Sink Opening, 2" NPT Male Outlet, 1 1/2" NPT Male Adapter & Overflow Tube w/ Head Asm.

|               |                |                  |
|---------------|----------------|------------------|
| Drawn<br>DHL  | Checked<br>JRM | Approved<br>JHB  |
| Scale:<br>1:8 |                | Date:<br>3/19/07 |