



**T&S BRASS AND BRONZE WORKS, INC.**

2 Saddleback Cove / P.O. Box 1088  
Travelers Rest, SC 29690



REG. #A2601  
ISO #9001

Model No.  
**B-3952**

Item No.

Travelers Rest, SC: 800-476-4103 Simi Valley, CA: 800-423-0150 Fax: 864-834-3518 www.tsbrass.com

This Space for Architect/Engineer Approval

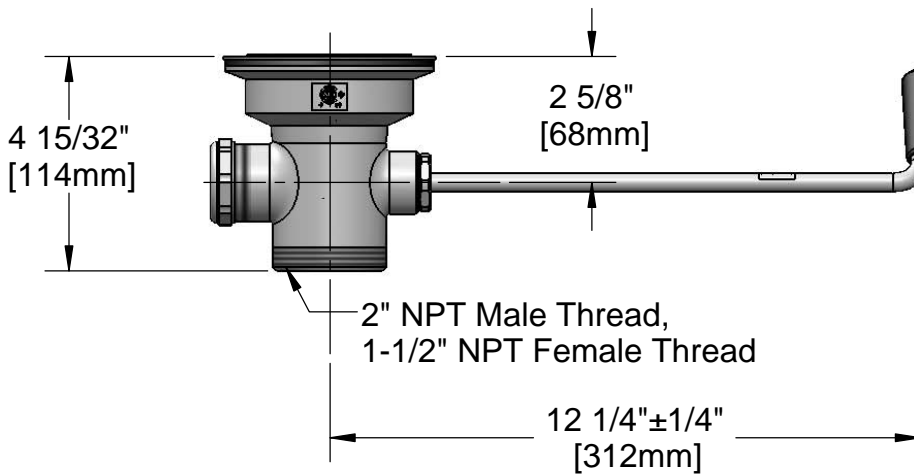
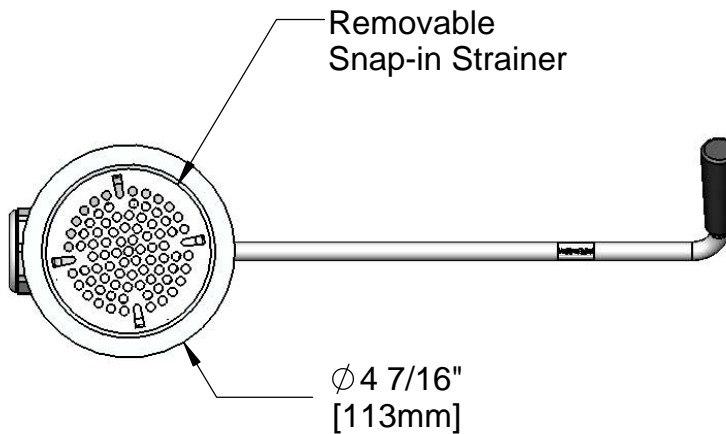
Job Name \_\_\_\_\_ Date \_\_\_\_\_

Model Specified \_\_\_\_\_ Quantity \_\_\_\_\_

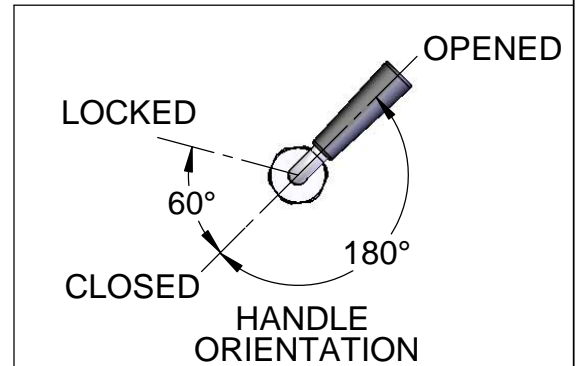
Customer/Wholesaler \_\_\_\_\_

Contractor \_\_\_\_\_

Architect/Engineer \_\_\_\_\_



Twist Handle w/  
Heat Resistant  
Plastic Grip (Shown  
in Open Position)



Product Specifications:

Rotary Waste Valve w/ Twist Handle, 3 1/2" Sink Opening, 2" NPT Male / 1-1/2" NPT Female Outlet

Drawn DHL	Checked JRM	Approved JHB
Scale: 1:4		Date: 3/19/07



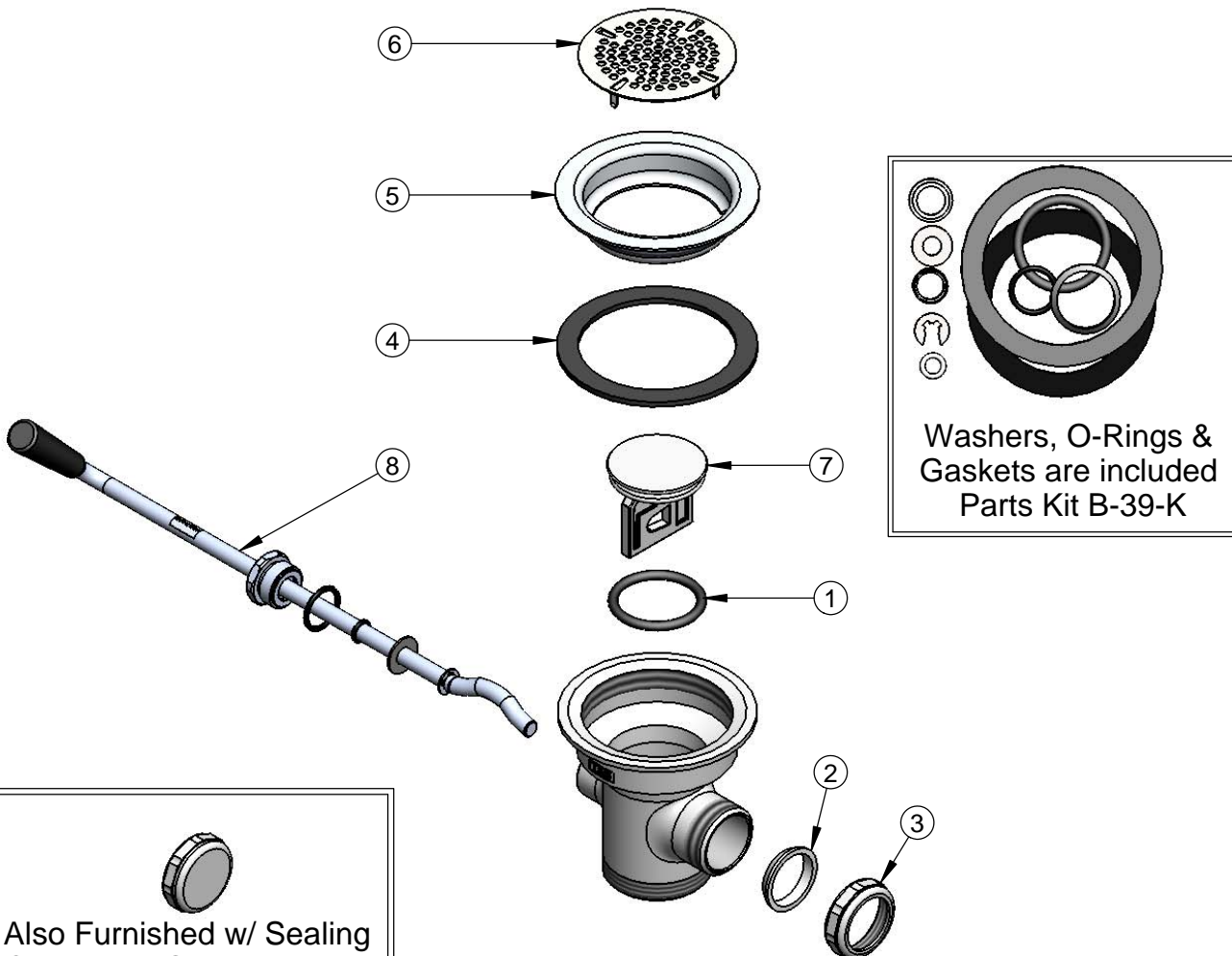
**T&S BRASS AND BRONZE WORKS, INC.**  
 2 Saddleback Cove / P.O. Box 1088  
 Travelers Rest, SC 29690

Model No.  
**B-3952**

Item No.

Travelers Rest, SC: 800-476-4103 • Simi Valley, CA: 800-423-0150 • Fax: 864-834-3518 • www.tsbrass.com

ITEM NO.	SALES NO.	DESCRIPTION
1	010389-45	O-Ring, Plunger
2	010390-45	Ferrule, Coupling Nut
3	010391-45	Nut, Coupling For Twist Drain
4	010382-45	Gasket, 3 1/2" Face Flange
5	010384-45	Flange, 3 1/2" Face
6	010386-45	Strainer, 3 1/2" Snap-in Removable
7	010388-45	Plunger, Lever and Twist Drain
8	010393-45	Handle Asm, Rotary Waste Valve Twist



Also Furnished w/ Sealing Cap When Overflow Tube Coupling Nut is Not Used.  
 PN# 012640-45

Product Specifications:  
 Rotary Waste Valve w/ Twist Handle, 3 1/2" Sink Opening, 2" NPT Male / 1-1/2" NPT Female Outlet

Drawn <b>DHL</b>	Checked <b>JRM</b>	Approved <b>JHB</b>
Scale: <b>NTS</b>		Date: <b>3/19/07</b>