



T&S BRASS AND BRONZE WORKS, INC.

2 Saddleback Cove / P.O. Box 1088
Travelers Rest, SC 29690



REG. #A2601
ISO #9001

Model No.
B-3962-01

Item No.

Travelers Rest, SC: 800-476-4103 Simi Valley, CA: 800-423-0150 Fax: 864-834-3518 www.tsbrass.com

This Space for Architect/Engineer Approval

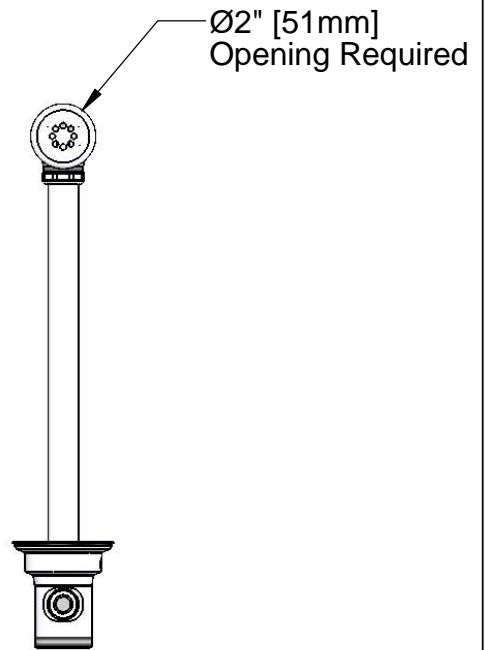
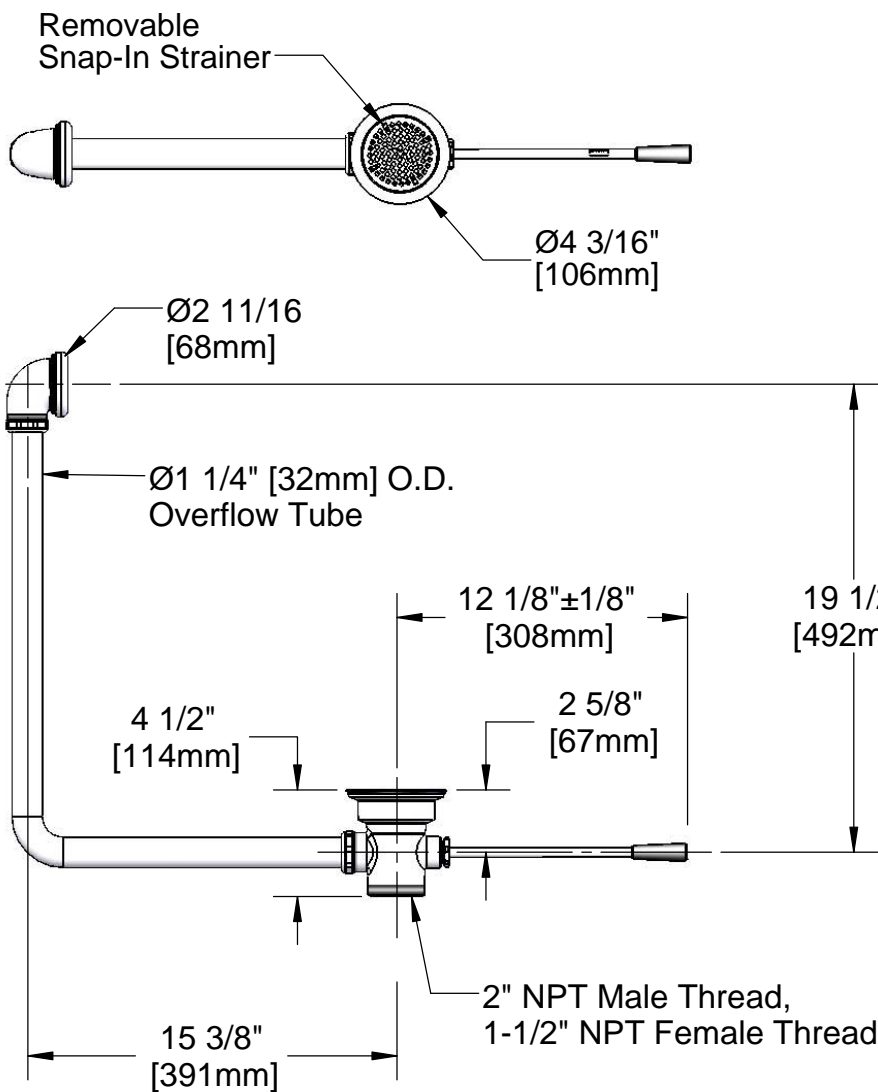
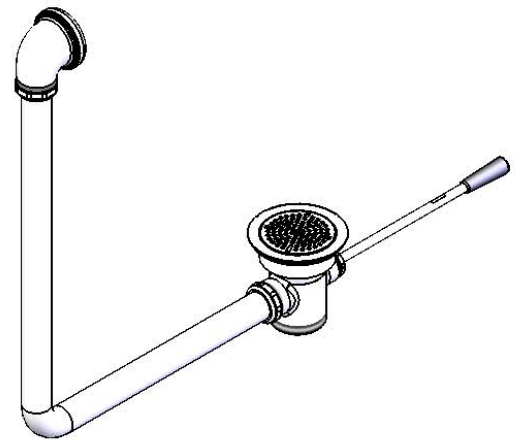
Job Name _____ Date _____

Model Specified _____ Quantity _____

Customer/Wholesaler _____

Contractor _____

Architect/Engineer _____



Product Specifications:

Waste Drain Valve w/ Lever Handle, 3" Sink Opening, 2" NPT Male / 1-1/2" NPT Female Outlet & Overflow Tube w/ Head Asm.

| | | |
|---------------|----------------|-------------------|
| Drawn GEF | Checked KJG | Approved JHB |
| Scale: 1:8 | | Date: 07/15/11 |



T&S BRASS AND BRONZE WORKS, INC.

2 Saddleback Cove / P.O. Box 1088
Travelers Rest, SC 29690



REG. #A2601
ISO #9001

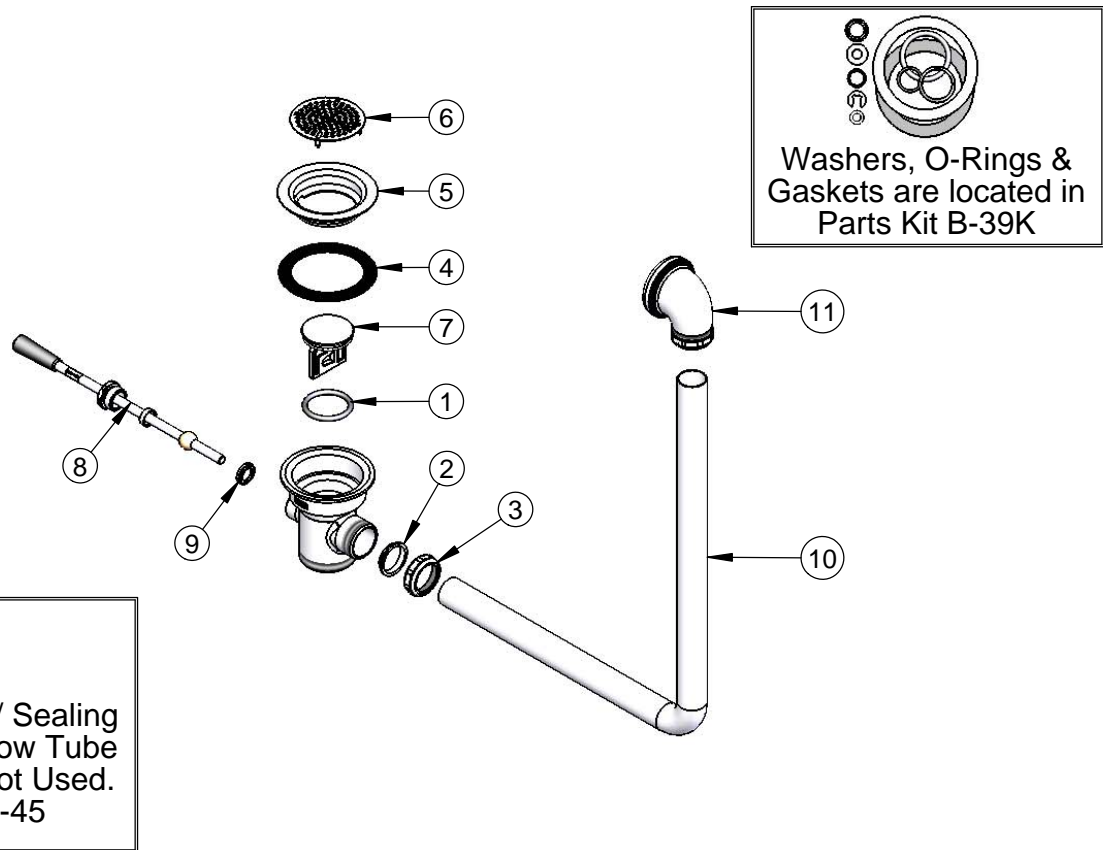
Model No.

B-3962-01

Item No.

Travelers Rest, SC: 800-476-4103 Simi Valley, CA: 800-423-0150 Fax: 864-834-3518 www.tsbrass.com

| ITEM NO. | SALES NO. | DESCRIPTION |
|----------|-----------|-------------------------------------|
| 1 | 010389-45 | O-Ring, Plunger |
| 2 | 010390-45 | Ferrule, Coupling Nut |
| 3 | 010391-45 | Nut, Coupling For Twist Drain |
| 4 | 010381-45 | Gasket, 3" Face Flange |
| 5 | 015306-45 | Flange, 3" Face |
| 6 | 010385-45 | Strainer, 3" Snap-in |
| 7 | 010388-45 | Plunger, Lever and Twist Drain |
| 8 | 010394-45 | Handle Asm, Waste Drain Valve Lever |
| 9 | 010392-45 | Bushing, Waste Drain Lever Handle |
| 10 | 011355-45 | Tube, Overflow Elbow |
| 11 | 011356-45 | Head Asm, Overflow Tube |



Product Specifications:

Waste Drain Valve w/ Lever Handle, 3" Sink Opening,
2" NPT Male / 1-1/2" NPT Female Outlet & Overflow
Tube w/ Head Asm.

| | | |
|---------------|----------------|-------------------|
| Drawn GEF | Checked KJG | Approved JHB |
| Scale: 1:8 | | Date: 07/15/11 |