



# T&S BRASS AND BRONZE WORKS, INC.

2 Saddleback Cove / P.O. Box 1088  
Travelers Rest, SC 29690



REG. #A2601  
ISO #9001

Model No.  
**B-3972-01**

Item No.

Travelers Rest, SC: 800-476-4103 Simi Valley, CA: 800-423-0150 Fax: 864-834-3518 www.tsbrass.com

This Space for Architect/Engineer Approval

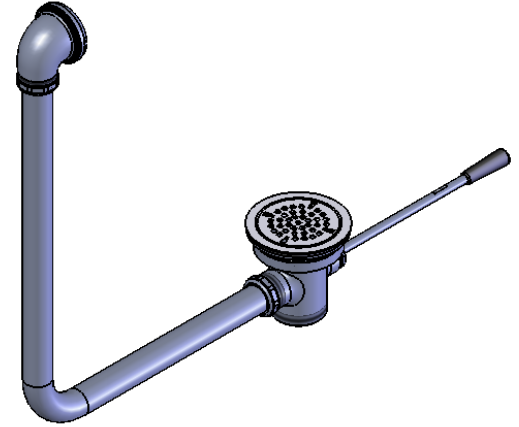
Job Name \_\_\_\_\_ Date \_\_\_\_\_

Model Specified \_\_\_\_\_ Quantity \_\_\_\_\_

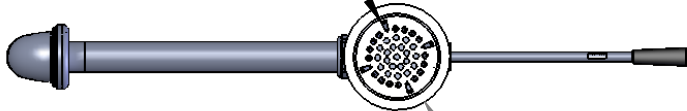
Customer/Wholesaler \_\_\_\_\_

Contractor \_\_\_\_\_

Architect/Engineer \_\_\_\_\_



Removable  
Snap-In Strainer



Ø 4 7/16"  
[113mm]

Ø 2 11/16"  
[68mm]

Ø 1 1/4" [32mm] O.D.  
Overflow Tube

4 1/2"  
[114mm]

12 1/8" ± 1/8"  
[308mm]

2 5/8"  
[68mm]

19 3/8"  
[492mm]

Ø 2" [51mm]  
Opening Required

2" NPT Male Thread,  
1-1/2" NPT Female Thread

15 3/8"  
[391mm]

### Product Specifications:

Waste Drain Valve w/ Lever Handle, 3 1/2" Sink Opening, 2" NPT Male / 1-1/2" NPT Female Outlet & Overflow Tube w/ Head Asm.

Drawn  
DHL

Checked  
JRM

Approved  
JHB

Scale:

1:8

Date:

3/19/06



**T&S BRASS AND BRONZE WORKS, INC.**

2 Saddleback Cove / P.O. Box 1088  
Travelers Rest, SC 29690



REG. #A2601  
ISO #9001

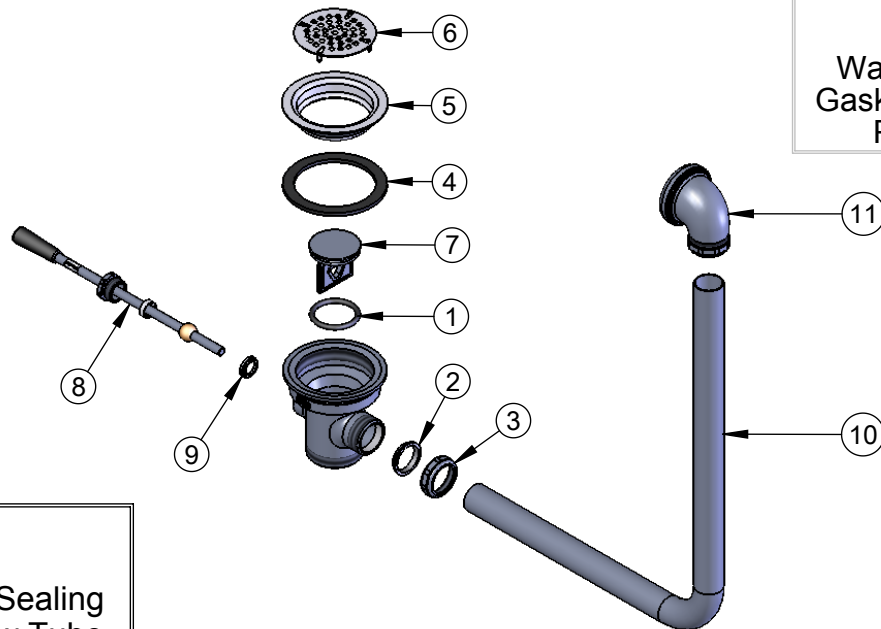
Model No.

**B-3972-01**

Item No.

Travelers Rest, SC: 800-476-4103 Simi Valley, CA: 800-423-0150 Fax: 864-834-3518 www.tsbrass.com

ITEM NO.	SALES NO.	DESCRIPTION
1	010389-45	O-Ring, Plunger
2	010390-45	Ferrule, Coupling Nut
3	010391-45	Nut, Coupling For Twist Drain
4	010382-45	Gasket, 3 1/2" Face Flange
5	010384-45	Flange, 3 1/2" Face
6	010386-45	Strainer, 3 1/2" Snap-in Removable
7	015405-45	Plunger Casting For Lever Waste Drain
8	010394-45	Handle Asm, Waste Drain Valve Lever
9	010392-45	Bushing, Waste Drain Lever Handle
10	011355-45	Tube, Overflow Elbow
11	011356-45	Head Asm, Overflow Tube



Also Furnished w/ Sealing Cap When Overflow Tube Coupling Nut is Not Used.  
PN# 012640-45

Product Specifications:

Waste Drain Valve w/ Lever Handle, 3 1/2" Sink Opening, 2" NPT Male / 1-1/2" NPT Female Outlet & Overflow Tube w/ Head Asm.

Drawn DHL	Checked JRM	Approved JHB
Scale: 1:8		Date: 3/19/06