



T&S BRASS AND BRONZE WORKS, INC.
 2 SADDLEBACK COVE / P.O. BOX 1088 / TRAVELERS REST, SC 29690
 PHONE 800-476-4103 FAX 864- 834-3518

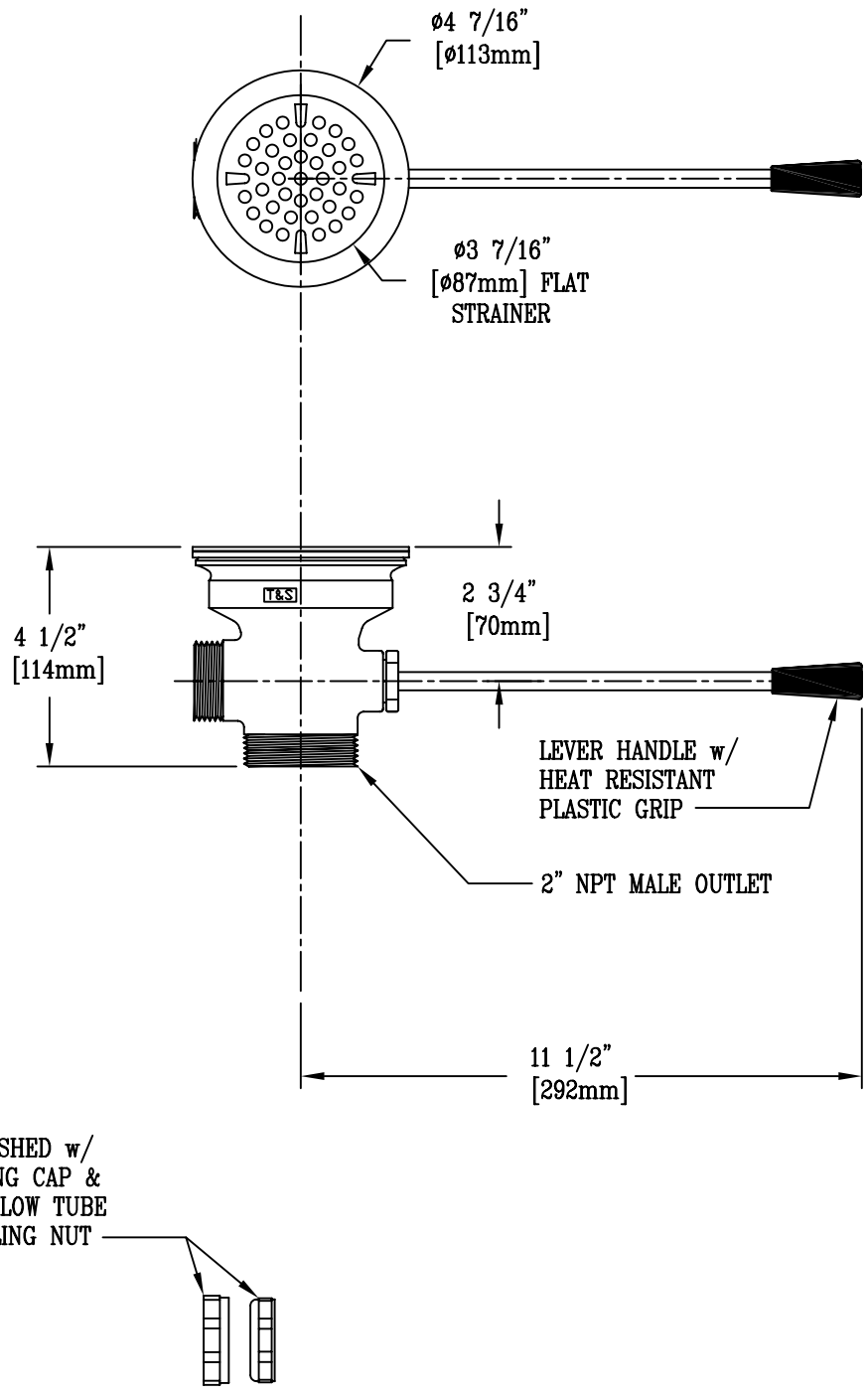


Model No.
 B-3972-M
 Item No.:

Job Name:

Architect/Engineer Approval:

Notes:



Product Description:
 ROTARY WASTE VALVE: (MASTER PACK - QUANTITY 12)
 LEVER HANDLE, 3 1/2" SINK OPENING, 2" MALE OUTLET

Drawn: WJS	Checked LEL	Scale: 1 : 4
Approved MVW		Date: 4/13/04