



**T&S BRASS AND BRONZE WORKS, INC.**  
 2 Saddleback Cove / P.O. Box 1088  
 Travelers Rest, SC 29690

Model No.  
**B-3992-01-5X**

Item No.

Travelers Rest, SC: 800-476-4103 • Simi Valley, CA: 800-423-0150 • Fax: 864-834-3518 • www.tsbrass.com

This Space for Architect/Engineer Approval

Job Name \_\_\_\_\_ Date \_\_\_\_\_

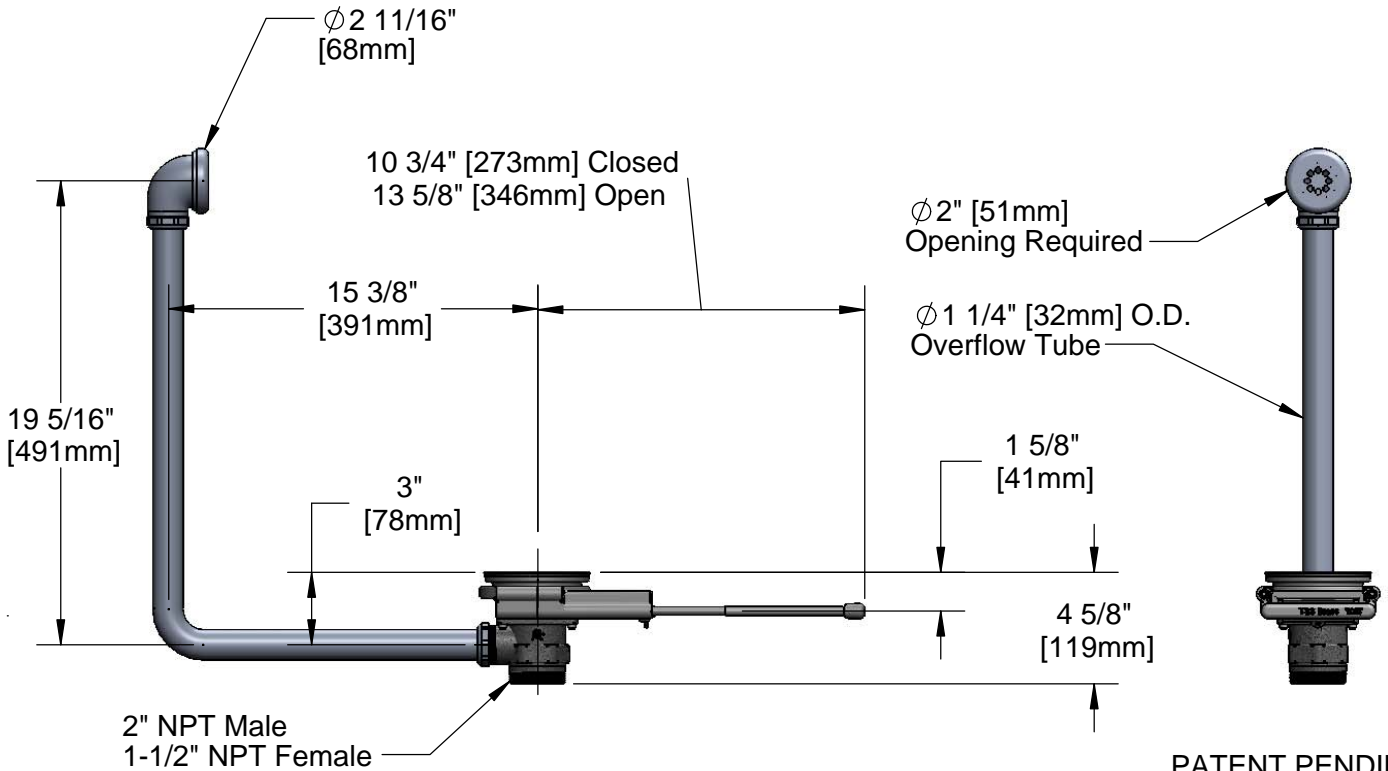
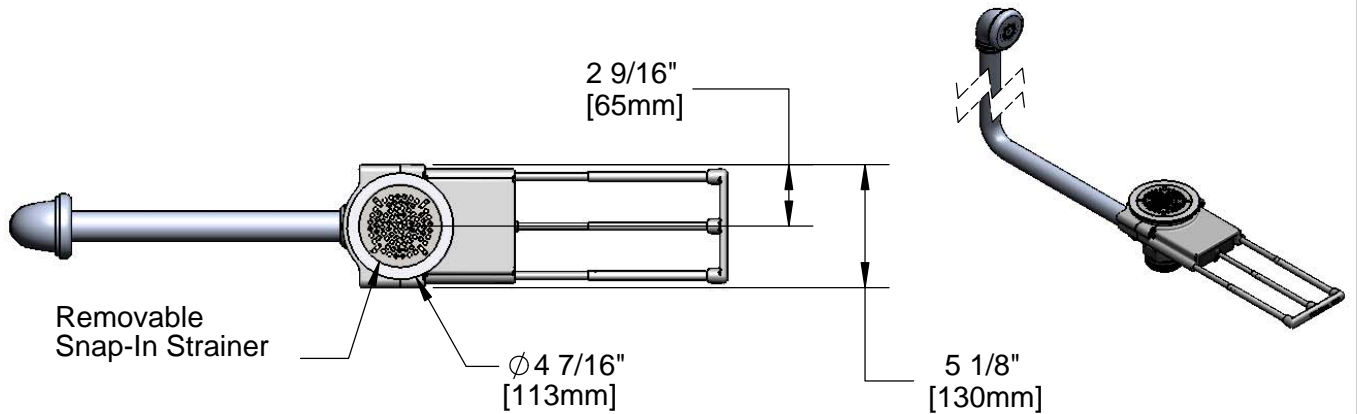
Model Specified \_\_\_\_\_ Quantity \_\_\_\_\_

Customer/Wholesaler \_\_\_\_\_

Contractor \_\_\_\_\_

Architect/Engineer \_\_\_\_\_

Sink Bowl Size (Front to Back)	Recommended Sales Model
18"	B-3992-01
20"	B-3992-01 or B-3992-01-3X
24"	B-3992-01-3X
28"	B-3992-01-5X



Product Specifications:  
 Modular Waste Drain Valve w/ Pull Handle, 3 1/2" Sink Opening, 2" NPT Male / 1-1/2" NPT Female Outlet, Overflow Tube w/ Head Assembly, 5" Handle Extension

Drawn <b>KJG</b>	Checked <b>GEF</b>	Approved <b>JHB</b>
Scale: <b>1:8</b>		Date: <b>10/18/12</b>



# T&S BRASS AND BRONZE WORKS, INC.

2 Saddleback Cove / P.O. Box 1088  
Travelers Rest, SC 29690

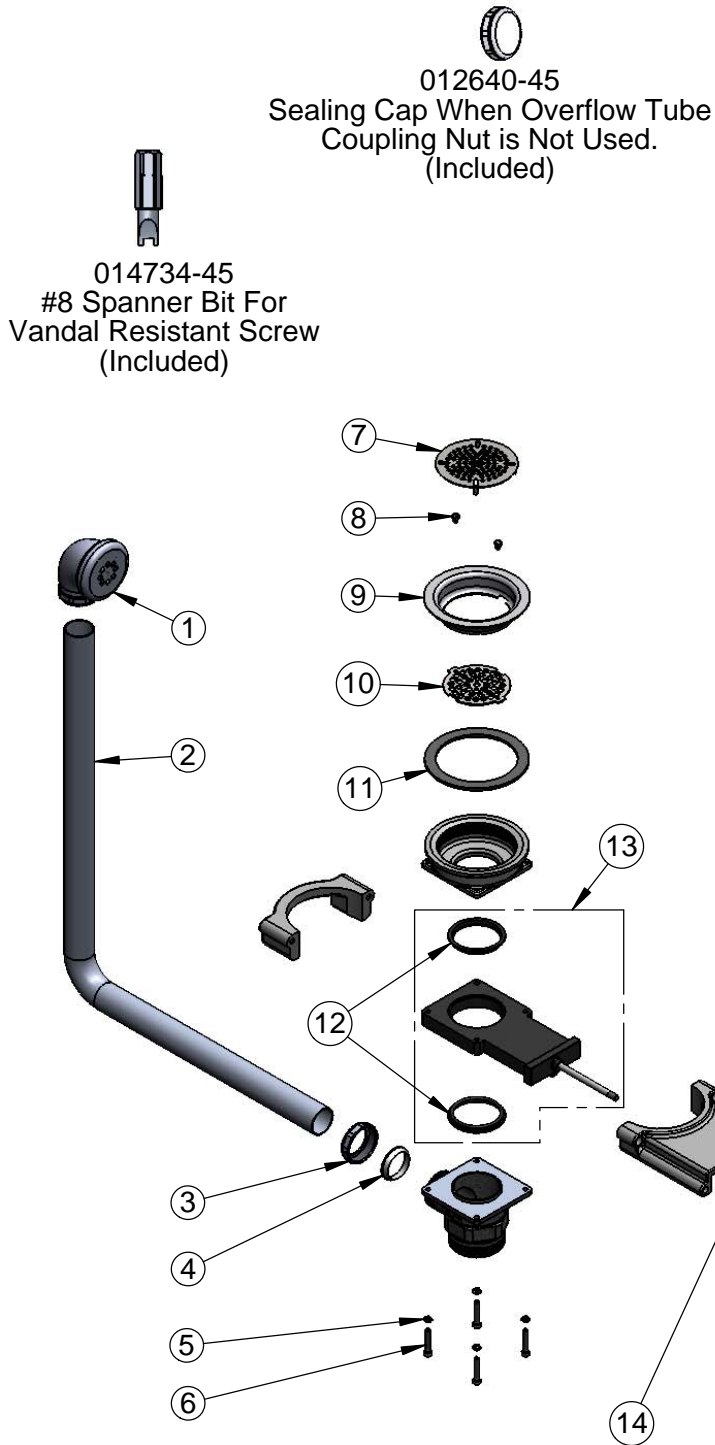
Model No.

**B-3992-01-5X**

Item No.

Travelers Rest, SC: 800-476-4103 • Simi Valley, CA: 800-423-0150 • Fax: 864-834-3518 • www.tsbrass.com

ITEM NO.	SALES NO.	DESCRIPTION
1	011356-45	Head Asm, Overflow Tube
2	011355-45	Tube, Overflow Elbow
3	010391-45	Nut, Coupling For Twist Drain
4	010390-45	Ferrule, Coupling Nut
5	018196-45	#10 Split Lock Washer
6	017669-45	10-32 x 1-1/8 SHCS, SS
7	010386-45	Strainer, 3 1/2" Snap-in Removable
8	016654-45	Vandal Resistant SS Screw
9	010384-45	Flange, 3 1/2" Face
10	017694-45	Guard, 3 1/2" Vandal Resistant Drain
11	010382-45	Gasket, 3 1/2" Face Flange
12	017698-45K	Valve Body Seal Kit, Bag of (2)
13	017219-45	Valve Body Assembly w/ (2) Seals
14	017454-45	1/4-20 x 1-1/4 SHCS, SS
15	017451-20	Support Rod
16	B-3990-5KIT	5" Handle Extension Kit
17	017448-45	Handle
18	017670-45	Waste Drain Installation Tool



Available Handle Extension Kits:  
B-3990-3KIT (3" Extension)  
B-3990-5KIT (5" Extension)

**Product Specifications:**

Modular Waste Drain Valve w/ Pull Handle, 3 1/2" Sink Opening, 2" NPT Male / 1-1/2" NPT Female Outlet, Overflow Tube w/ Head Assembly, 5" Handle Extension

Drawn

**KJG**

Checked

**GEF**

Approved

**JHB**

Scale:

**NTS**

Date:

**10/18/12**