



**T&S BRASS AND BRONZE WORKS, INC.**  
 2 Saddleback Cove / P.O. Box 1088  
 Travelers Rest, SC 29690

Model No.  
**B-3992-3X**

Item No.

Travelers Rest, SC: 800-476-4103 • Simi Valley, CA: 800-423-0150 • Fax: 864-834-3518 • www.tsbrass.com

This Space for Architect/Engineer Approval

Job Name \_\_\_\_\_ Date \_\_\_\_\_

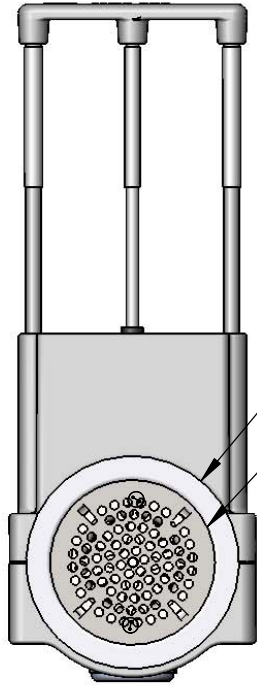
Model Specified \_\_\_\_\_ Quantity \_\_\_\_\_

Customer/Wholesaler \_\_\_\_\_

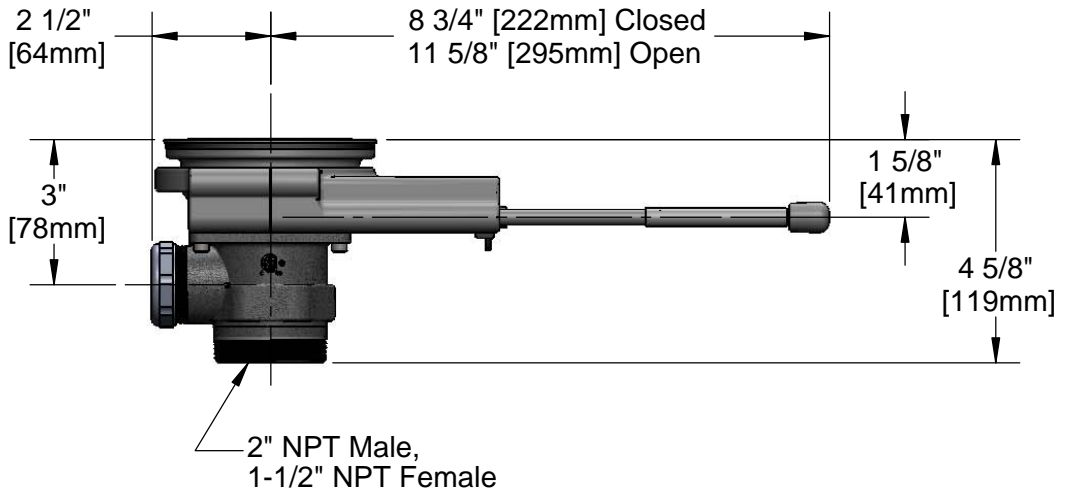
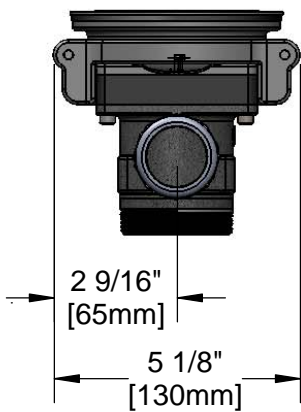
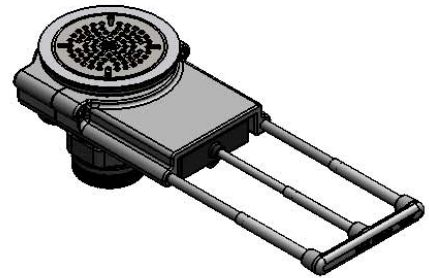
Contractor \_\_\_\_\_

Architect/Engineer \_\_\_\_\_

Sink Bowl Size (Front to Back)	Recommended Sales Model
18"	B-3992
20"	B-3992 or B-3992-3X
24"	B-3992-3X
28"	B-3992-5X



Ø 4 7/16" [113mm]  
 Removable Snap-in Strainer



PATENT PENDING

Product Specifications:  
 Modular Waste Drain Valve w/ Pull Handle, 3 1/2" Sink Opening, 2" NPT Male / 1-1/2" NPT Female Outlet, 3" Handle Extension

Drawn <b>KJG</b>	Checked <b>GEF</b>	Approved <b>JHB</b>
Scale: <b>1:4</b>		Date: <b>10/18/12</b>



# T&S BRASS AND BRONZE WORKS, INC.

2 Saddleback Cove / P.O. Box 1088  
Travelers Rest, SC 29690

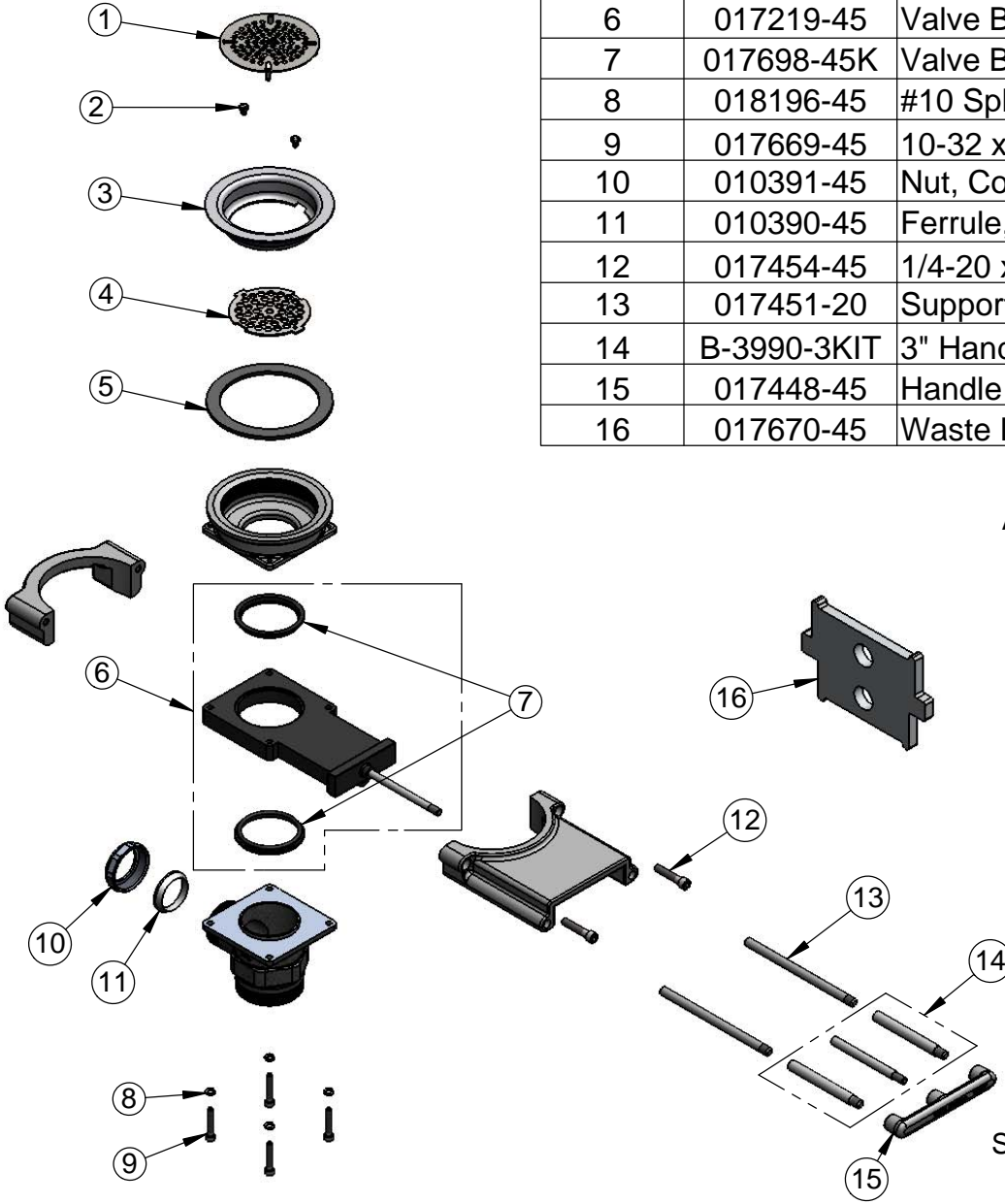
Model No.

**B-3992-3X**

Item No.

Travelers Rest, SC: 800-476-4103 • Simi Valley, CA: 800-423-0150 • Fax: 864-834-3518 • www.tsbrass.com

ITEM NO.	SALES NO.	DESCRIPTION
1	010386-45	Strainer, 3 1/2" Snap-in Removable
2	016654-45	Vandal Resistant SS Screw
3	010384-45	Flange, 3 1/2" Face
4	017694-45	Guard, 3 1/2" Vandal Resistant Drain
5	010382-45	Gasket, 3 1/2" Face Flange
6	017219-45	Valve Body Assembly w/ (2) Seals
7	017698-45K	Valve Body Seal Kit, Bag of (2)
8	018196-45	#10 Split Lock Washer
9	017669-45	10-32 x 1-1/8 SHCS, SS
10	010391-45	Nut, Coupling For Twist Drain
11	010390-45	Ferrule, Coupling Nut
12	017454-45	1/4-20 x 1-1/4 SHCS, SS
13	017451-20	Support Rod
14	B-3990-3KIT	3" Handle Extension Kit
15	017448-45	Handle
16	017670-45	Waste Drain Installation Tool



Available Handle Extension Kits:  
B-3990-3KIT (3" Extension)  
B-3990-5KIT (5" Extension)

014734-45  
#8 Spanner Bit For  
Vandal Resistant Screw  
(Included)

012640-45  
Sealing Cap When Overflow Tube  
Coupling Nut is Not Used.  
(Included)

**Product Specifications:**

Modular Waste Drain Valve w/ Pull Handle, 3 1/2" Sink Opening, 2" NPT Male / 1-1/2" NPT Female Outlet, 3" Handle Extension

Drawn <b>KJG</b>	Checked <b>GEF</b>	Approved <b>JHB</b>
Scale: <b>NTS</b>		Date: <b>10/18/12</b>