



T&S BRASS AND BRONZE WORKS, INC.
 2 Saddleback Cove / P.O. Box 1088
 Travelers Rest, SC 29690

Model No.
B-3999-OF

Item No.

Travelers Rest, SC: 800-476-4103 • Simi Valley, CA: 800-423-0150 • Fax: 864-834-3518 • www.tsbrass.com

This Space for Architect/Engineer Approval

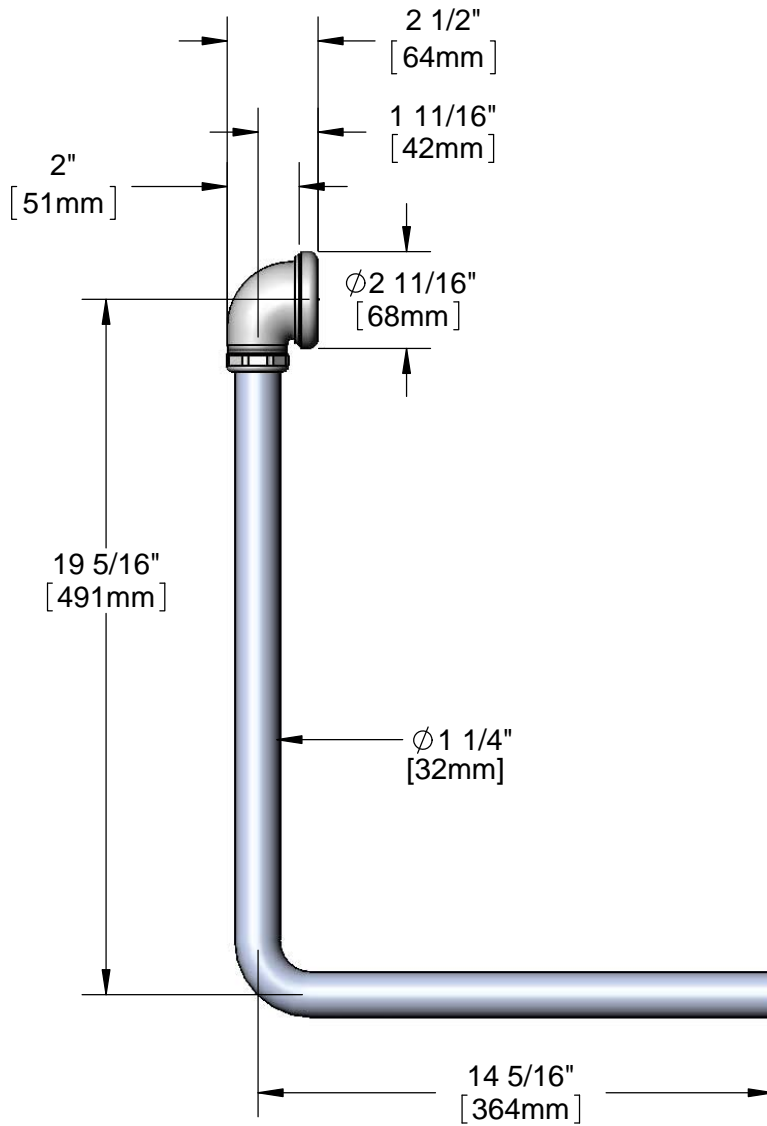
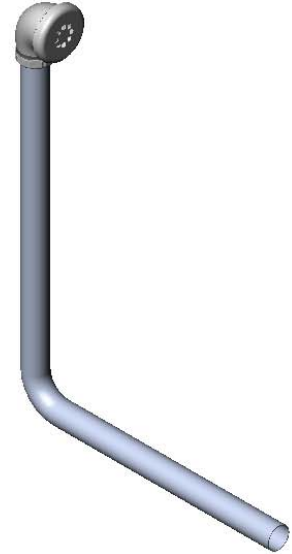
Job Name _____ Date _____

Model Specified _____ Quantity _____

Customer/Wholesaler _____

Contractor _____

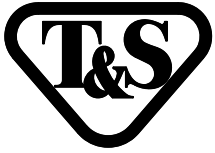
Architect/Engineer _____



Rough-In Requirement:
 $\phi 2$ " [51mm] Opening for
 Overflow Tube Head

Product Specifications:
 Waste Drain Overflow Kit

Drawn DHL	Checked KJG	Approved JHB
Scale: 1:4		Date: 11/01/12



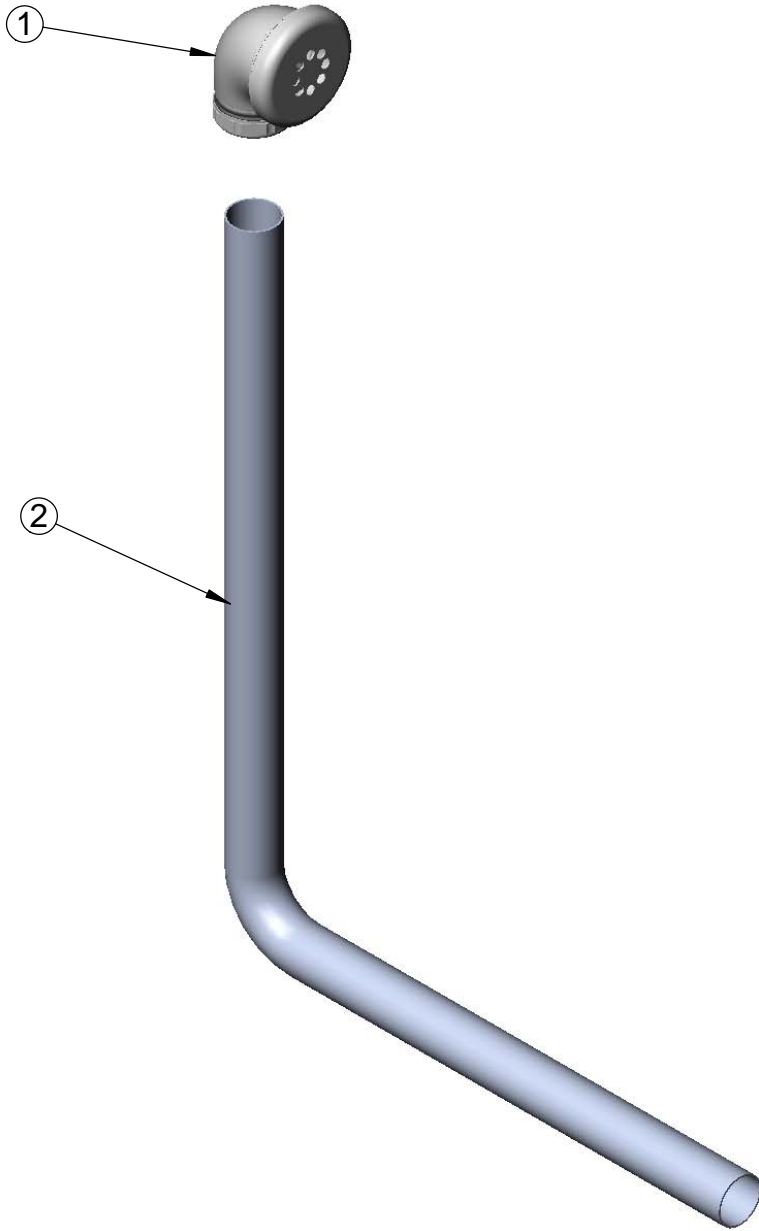
T&S BRASS AND BRONZE WORKS, INC.
 2 Saddleback Cove / P.O. Box 1088
 Travelers Rest, SC 29690

Model No.
B-3999-OF

Item No.

Travelers Rest, SC: 800-476-4103 • Simi Valley, CA: 800-423-0150 • Fax: 864-834-3518 • www.tsbrass.com

ITEM NO.	SALES NO.	DESCRIPTION
1	011356-45	Overflow Tube Head
2	011355-45	Tube, Overflow Elbow



Product Specifications:
 Waste Drain Overflow Kit

Drawn DHL	Checked KJG	Approved JHB
Scale: NTS		Date: 11/01/12