



# T&S BRASS AND BRONZE WORKS, INC.

2 Saddleback Cove / P.O. Box 1088  
Travelers Rest, SC 29690



REG. #A2601  
ISO #9001

Model No.

**B-7102-01**

Item No.

Travelers Rest, SC: 800-476-4103 Simi Valley, CA: 800-423-0150 Fax: 864-834-3518 www.tsbrass.com

This Space for Architect/Engineer Approval

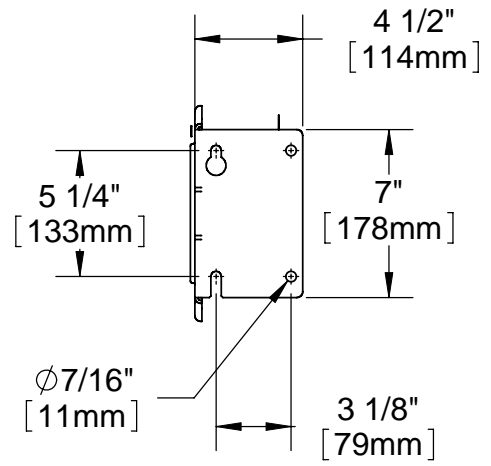
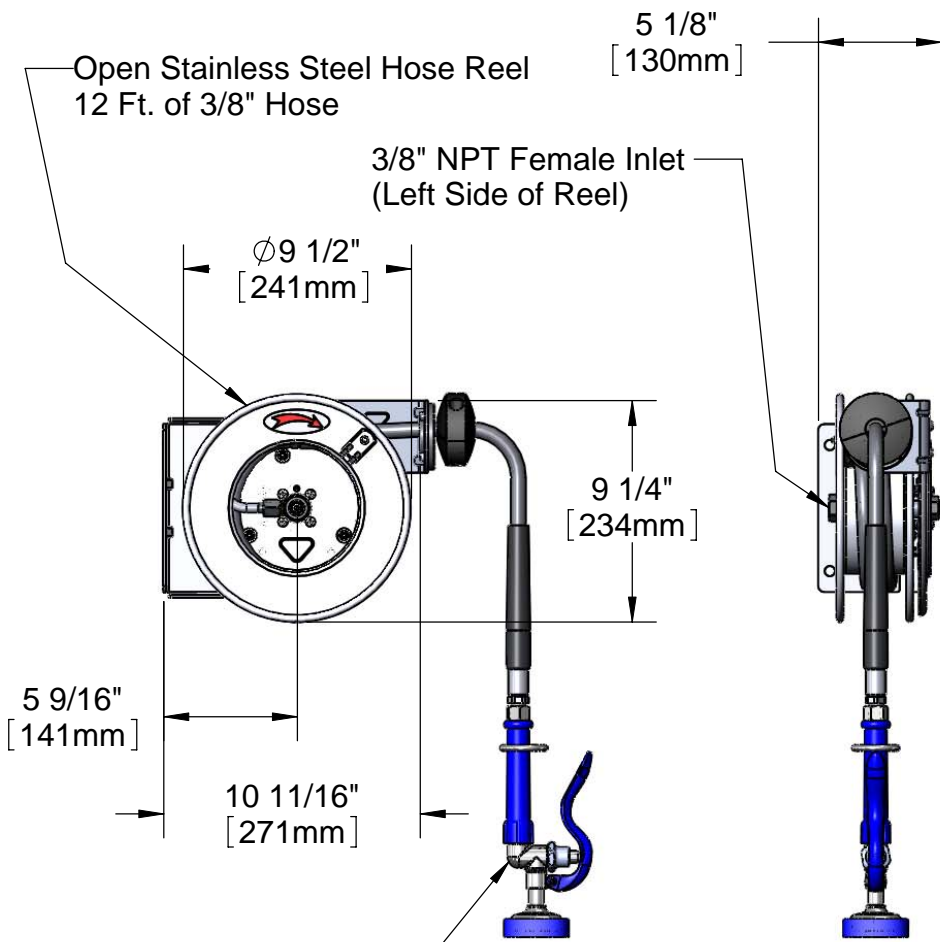
Job Name \_\_\_\_\_ Date \_\_\_\_\_

Model Specified \_\_\_\_\_ Quantity \_\_\_\_\_

Customer/Wholesaler \_\_\_\_\_

Contractor \_\_\_\_\_

Architect/Engineer \_\_\_\_\_



Product Specifications:

Hose Reel System:  
3/8" x 12 Ft. Open Stainless Steel Reel  
EB-0107 Blue Spray Valve

Drawn	Checked	Approved
DMH	JRM	JHB
Scale:		Date:
1:8		05/04/10



**T&S BRASS AND BRONZE WORKS, INC.**

2 Saddleback Cove / P.O. Box 1088  
Travelers Rest, SC 29690



REG. #A2601  
ISO #9001

Model No.

**B-7102-01**

Item No.

Travelers Rest, SC: 800-476-4103 Simi Valley, CA: 800-423-0150 Fax: 864-834-3518 www.tsbrass.com

ITEM NO.	SALES NO.	DESCRIPTION
1	EB-0107	Hi-Flow Blue Spray Valve
2	012504-40	Blue Handle Grip
3	010476-45	Hose Washer
4	017938-45	3/8" x 12 Ft. Hose Replacement Kit
5	G016590-45	Hose Stop Repair Kit
6	017355-45	Swivel Repair Kit
7	014948-45	O-Ring Replacement Kit
8	017352-45	Guide Bushing Kit
9	017362-45	Spring Assembly
10	017359-45	Ratchet Lever Kit



Product Specifications:

Hose Reel System:  
3/8" x 12 Ft. Open Stainless Steel Reel  
EB-0107 Blue Spray Valve

Drawn <b>DMH</b>	Checked <b>JRM</b>	Approved <b>JHB</b>
Scale: <b>NTS</b>		Date: <b>05/04/10</b>