



T&S BRASS AND BRONZE WORKS, INC.
 2 Saddleback Cove / P.O. Box 1088
 Travelers Rest, SC 29690

Model No.
B-7243-02

Item No.

Travelers Rest, SC: 800-476-4103 • Simi Valley, CA: 800-423-0150 • Fax: 864-834-3518 • www.tsbrass.com

This Space for Architect/Engineer Approval

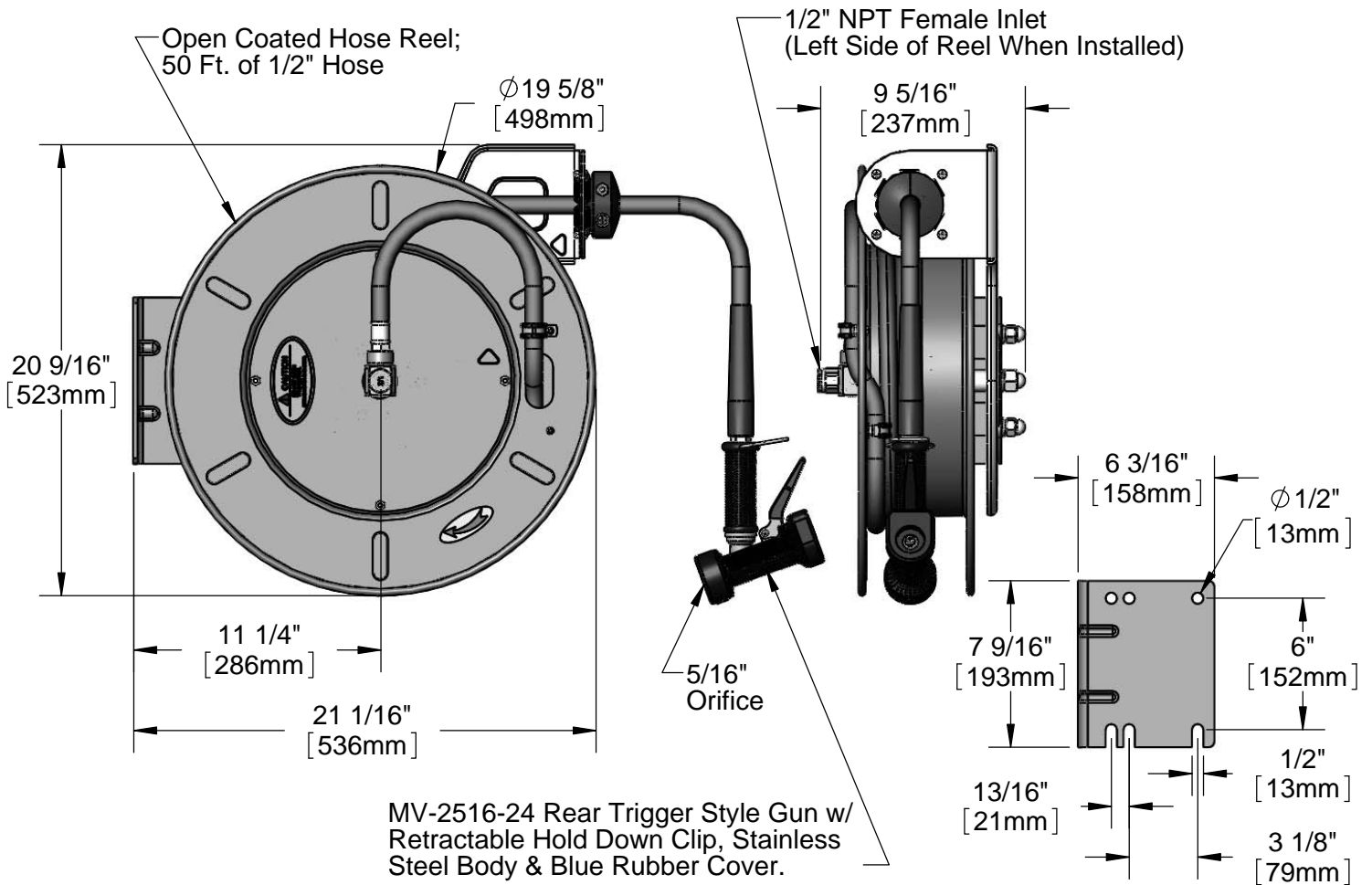
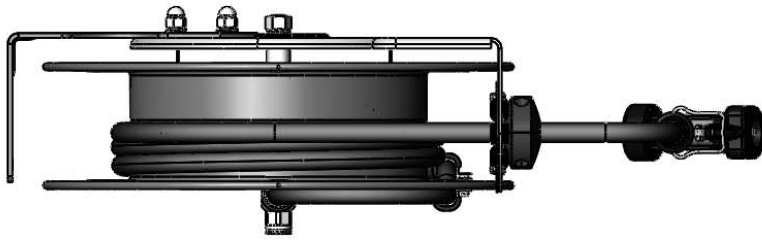
Job Name _____ Date _____

Model Specified _____ Quantity _____

Customer/Wholesaler _____

Contractor _____

Architect/Engineer _____



Product Specifications:
 1/2" ID x 50 Ft. Open Coated Hose Reel w/
 MV-2516-24 Rear Trigger, 5/16" Spray Gun

Drawn DHL	Checked DMH	Approved JHB
Scale: 1:8		Date: 11/15/12



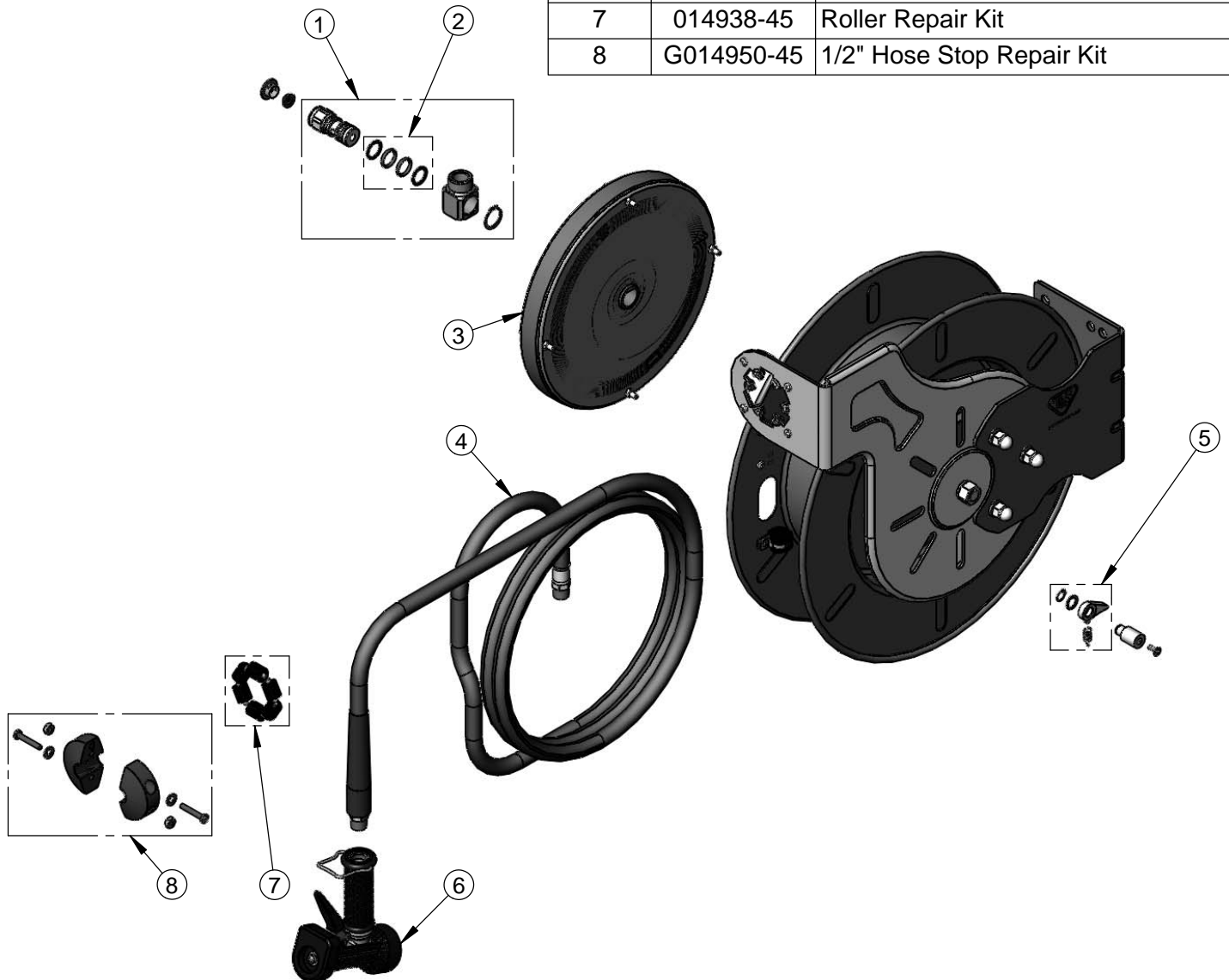
T&S BRASS AND BRONZE WORKS, INC.
 2 Saddleback Cove / P.O. Box 1088
 Travelers Rest, SC 29690

Model No.
B-7243-02

Item No.

Travelers Rest, SC: 800-476-4103 • Simi Valley, CA: 800-423-0150 • Fax: 864-834-3518 • www.tsbrass.com

ITEM NO.	SALES NO.	DESCRIPTION
1	G016629-45	1/2" NPT Medium Pressure Swivel
2	014948-45	O-Ring Kit
3	G016684-45	3/8" & 1/2" Spring, Epoxy Coated
4	014945-45	Blue 1/2" ID x 50' Hose Kit
5	014940-45	Ratchet Repair Kit
6	MV-2516-24	5/16" Orifice, Rear Trigger Water Gun
7	014938-45	Roller Repair Kit
8	G014950-45	1/2" Hose Stop Repair Kit



Product Specifications:
 1/2" ID x 50 Ft. Open Coated Hose Reel w/
 MV-2516-24 Rear Trigger, 5/16" Spray Gun

Drawn DHL	Checked DMH	Approved JHB
Scale: NTS		Date: 11/15/12