



T&S BRASS AND BRONZE WORKS, INC.

2 Saddleback Cove / P.O. Box 1088
Travelers Rest, SC 29690



REG. #A2601
ISO #9001

Model No.
B-7245-04

Item No.

Travelers Rest, SC: 800-476-4103 Simi Valley, CA: 800-423-0150 Fax: 864-834-3518 www.tsbrass.com

This Space for Architect/Engineer Approval

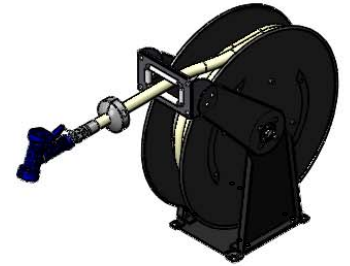
Job Name _____ Date _____

Model Specified _____ Quantity _____

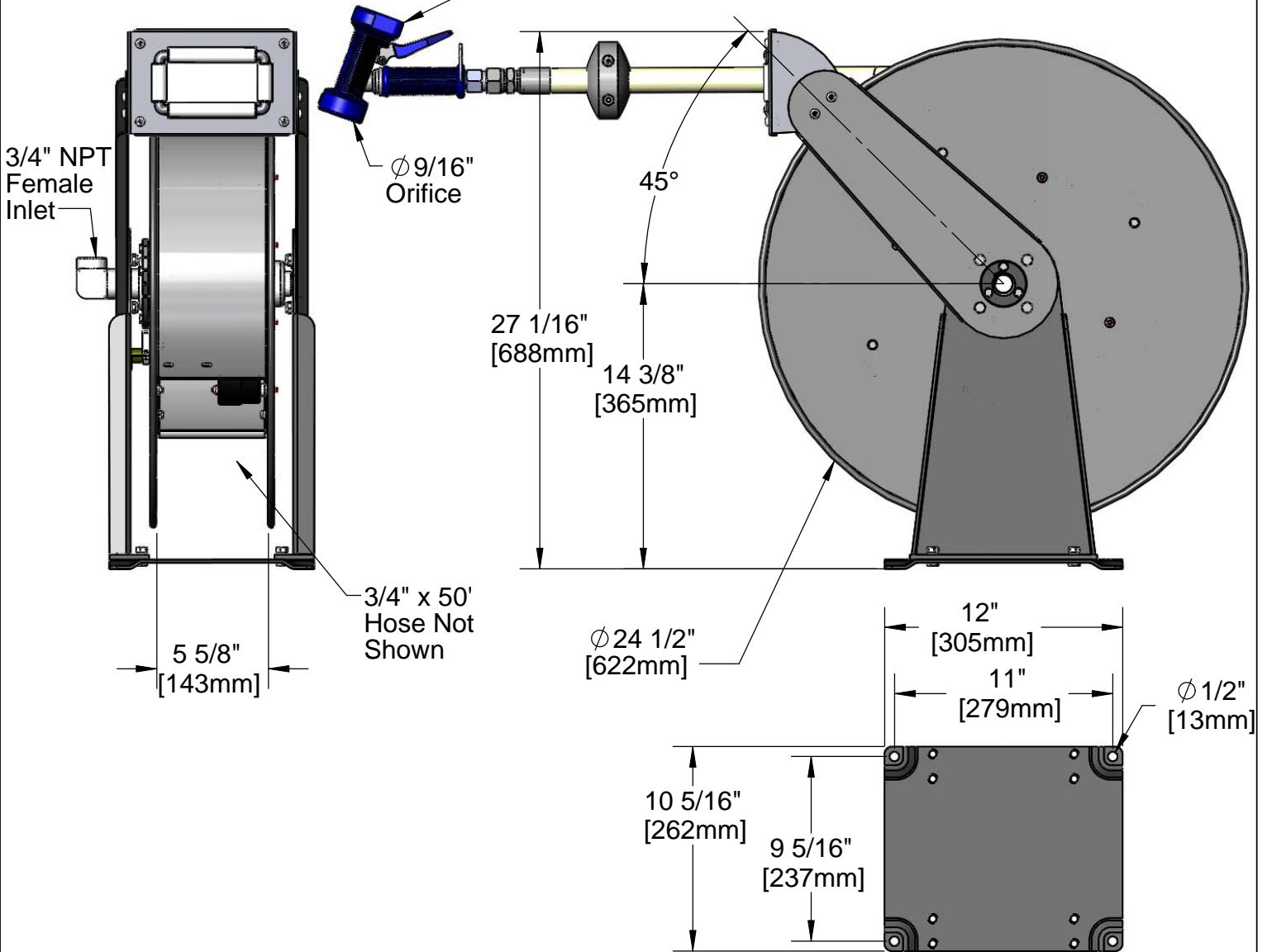
Customer/Wholesaler _____

Contractor _____

Architect/Engineer _____



MV-2516-44
Rear Trigger Water Gun
w/ Stainless Steel Body &
Royal Blue Rubber Cover



Product Specifications:

Epoxy Coated Open Hose Reel w/ 3/4" x 50' Creamery
Hose, MV-2516-44 Rear Trigger Water Gun & Double
Arm Support

Drawn KJG	Checked DMH	Approved JHB
Scale: 1:8	Date: 09/01/10	