



T&S BRASS AND BRONZE WORKS, INC.

2 SADDLEBACK COVE / P.O. BOX 1088 / TRAVELERS REST, SC 29690

PHONE 800-476-4103

FAX 864- 834-3518



REG.#A2601
ISO #9002

Model No.

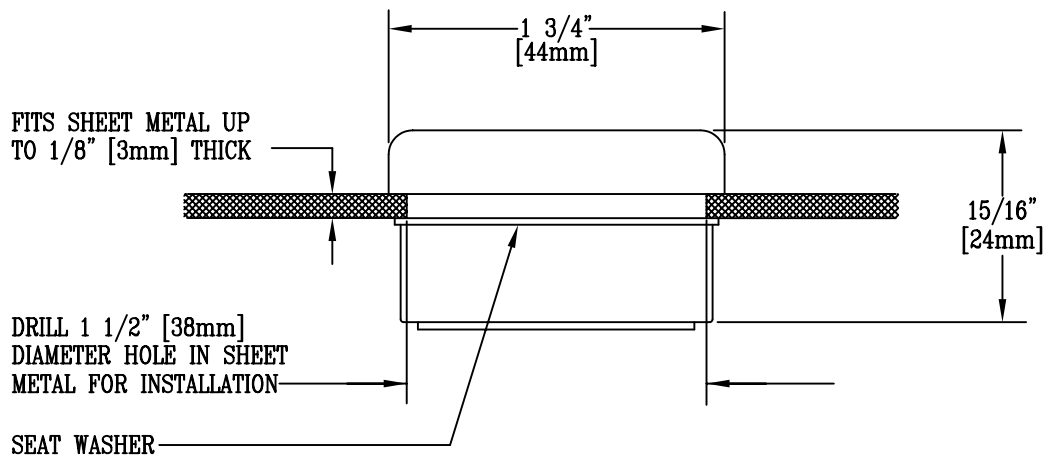
B-KF

Item No.:

Job Name:

Architect/Engineer Approval:

Notes:



Product Description:

PROTECTIVE FLANGE FOR DECK
MOUNTED SPRAY HOSES
FITS SHEET METAL UP TO 1/8" THICK

Drawn:

WJS

Approved

CA

Checked

ARY

Scale:

1' = 1'

Date:

11/6/95