



T&S BRASS AND BRONZE WORKS, INC.
 2 Saddleback Cove / P.O. Box 1088
 Travelers Rest, SC 29690

Model No.
B-LB

Item No.

Travelers Rest, SC: 800-476-4103 • Simi Valley, CA: 800-423-0150 • Fax: 864-834-3518 • www.tsbrass.com

This Space for Architect/Engineer Approval

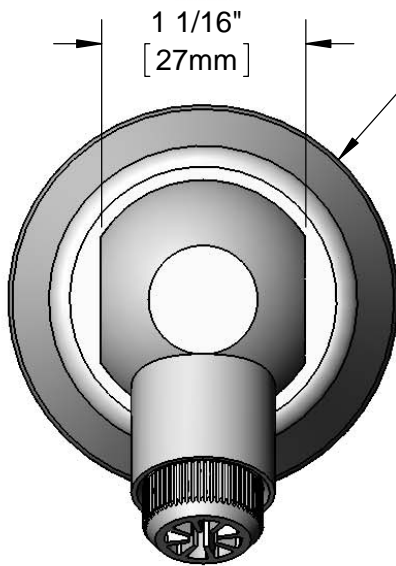
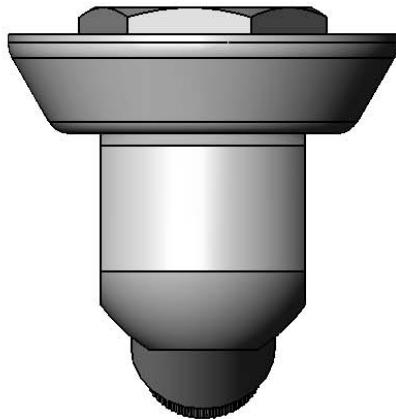
Job Name _____ Date _____

Model Specified _____ Quantity _____

Customer/Wholesaler _____

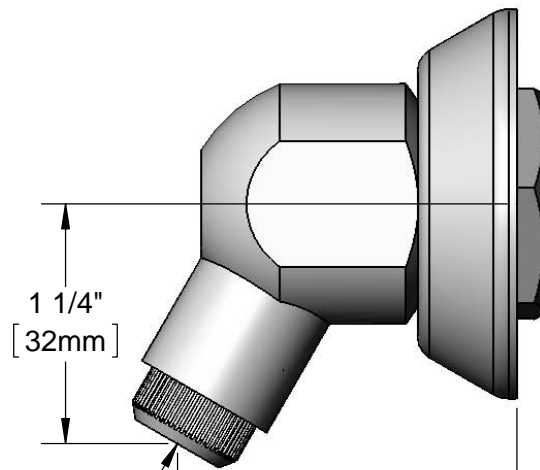
Contractor _____

Architect/Engineer _____



Ø 2" [51mm]
 Flange

1 1/16"
 [27mm]



3/8" NPT
 Female Inlet

1 1/4"
 [32mm]

1 3/4"
 [45mm]

003090-45
 Anti-Splash
 Tip Outlet

Product Specifications:
 Sink Outlet (Non-Potable Water Applications)

Drawn

DHL

Checked

DMH

Approved

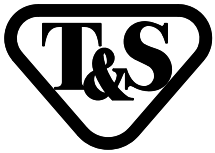
JHB

Scale:

1:1

Date:

11/25/12



T&S BRASS AND BRONZE WORKS, INC.

2 Saddleback Cove / P.O. Box 1088
Travelers Rest, SC 29690

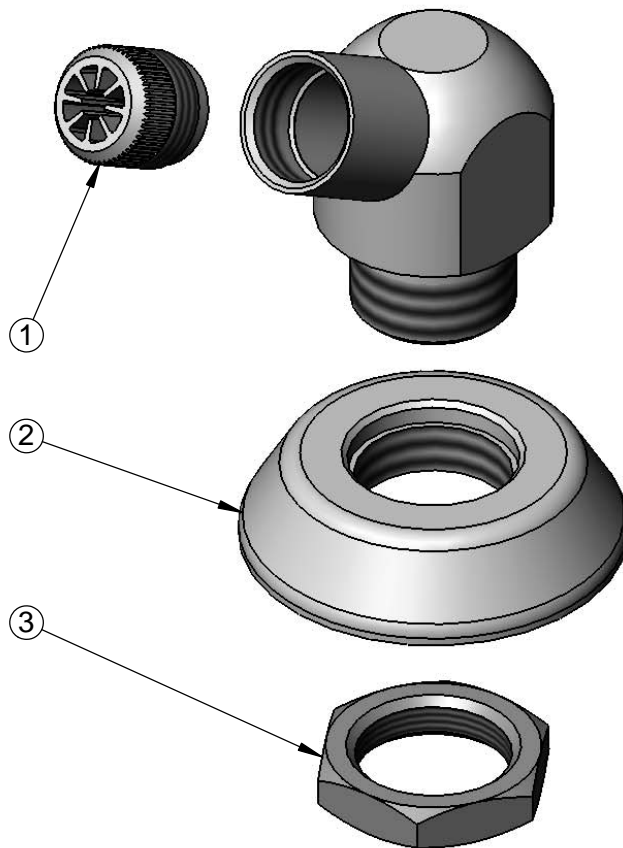
Model No.

B-LB

Item No.

Travelers Rest, SC: 800-476-4103 • Simi Valley, CA: 800-423-0150 • Fax: 864-834-3518 • www.tsbrass.com

ITEM NO.	SALES NO.	DESCRIPTION
1	003090-45	Outlet Tip, Retro Glass Filler
2	000023-40	Adjustable Wall Flange
3	000713-20	Lock Nut, B-1200



Product Specifications:
Sink Outlet (Non-Potable Water Applications)

Drawn

DHL

Checked

DMH

Approved

JHB

Scale:

NTS

Date:

11/25/12