



# T&S BRASS AND BRONZE WORKS, INC.

2 Saddleback Cove / P.O. Box 1088  
Travelers Rest, SC 29690

Model No.

**B-WFK**

Item No.

Travelers Rest, SC: 800-476-4103 • Simi Valley, CA: 800-423-0150 • Fax: 864-834-3518 • www.tsbrass.com

This Space for Architect/Engineer Approval

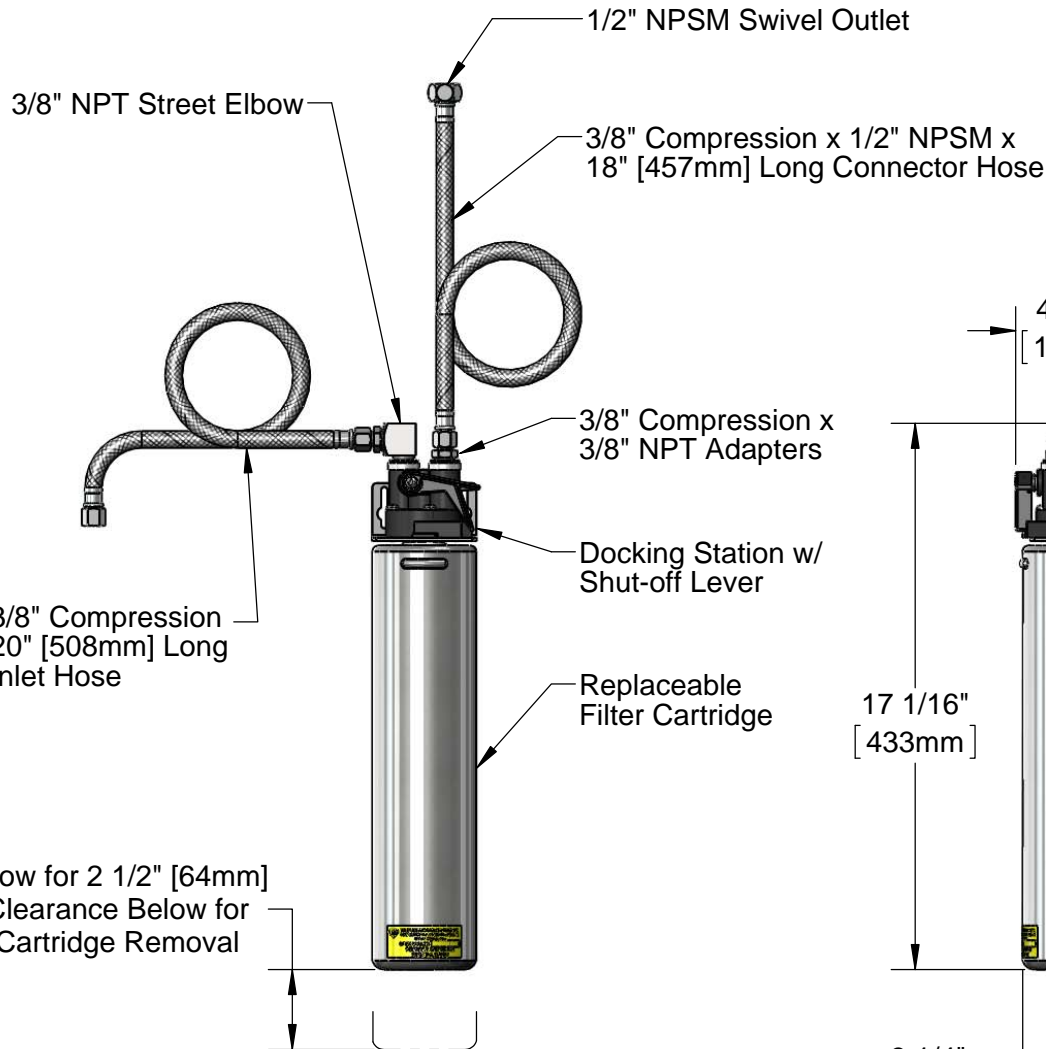
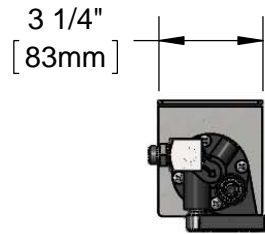
Job Name \_\_\_\_\_ Date \_\_\_\_\_

Model Specified \_\_\_\_\_ Quantity \_\_\_\_\_

Customer/Wholesaler \_\_\_\_\_

Contractor \_\_\_\_\_

Architect/Engineer \_\_\_\_\_



**Product Specifications:**

Water Filtration Kit w/ Docking Station, Filter Cartridge, Fittings & Braided Stainless Steel Hoses

Drawn

**DMH**

Checked

**JRM**

Approved

**JHB**

Scale:

**1:6**

Date:

**01/16/14**



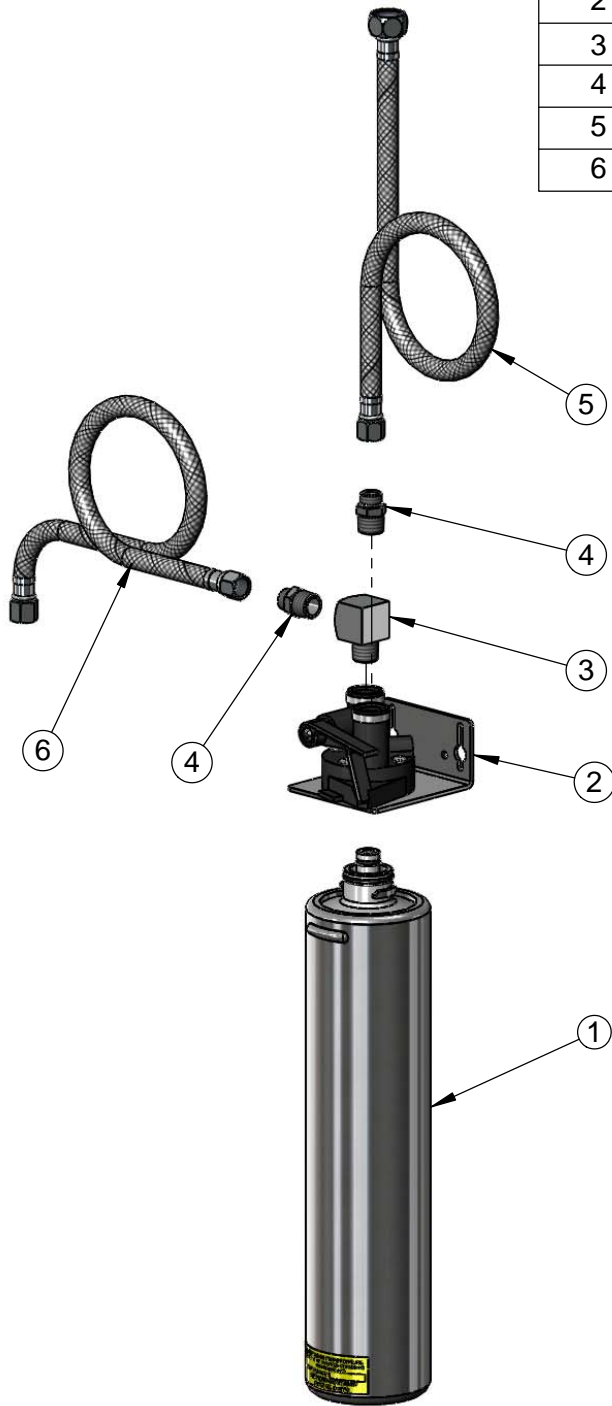
**T&S BRASS AND BRONZE WORKS, INC.**  
 2 Saddleback Cove / P.O. Box 1088  
 Travelers Rest, SC 29690

Model No.  
**B-WFK**

Item No.

Travelers Rest, SC: 800-476-4103 • Simi Valley, CA: 800-423-0150 • Fax: 864-834-3518 • www.tsbrass.com

ITEM NO.	SALES NO.	DESCRIPTION
1	B-WFC	Filter Cartridge
2	B-WFDS	Water Filter Docking Station
3	148X	3/8 Street Elbow
4	006101-45	Adapter, 3/8" NPT x 9/16"-24 UN Male
5	5EF-0005	Supply Hose, 9/16-24 Female x 1/2" NPSM
6	013146-45	Supply Hose, 9/16-24 Fem (3/8" Comp)



Product Specifications:  
 Water Filtration Kit w/ Docking Station, Filter Cartridge, Fittings &  
 Braided Stainless Steel Hoses

Drawn <b>DMH</b>	Checked <b>JRM</b>	Approved <b>JHB</b>
Scale: <b>NTS</b>		Date: <b>01/16/14</b>