



**T&S BRASS AND BRONZE WORKS, INC.**  
 2 Saddleback Cove / P.O. Box 1088  
 Travelers Rest, SC 29690

Model No.  
**BF-0176**

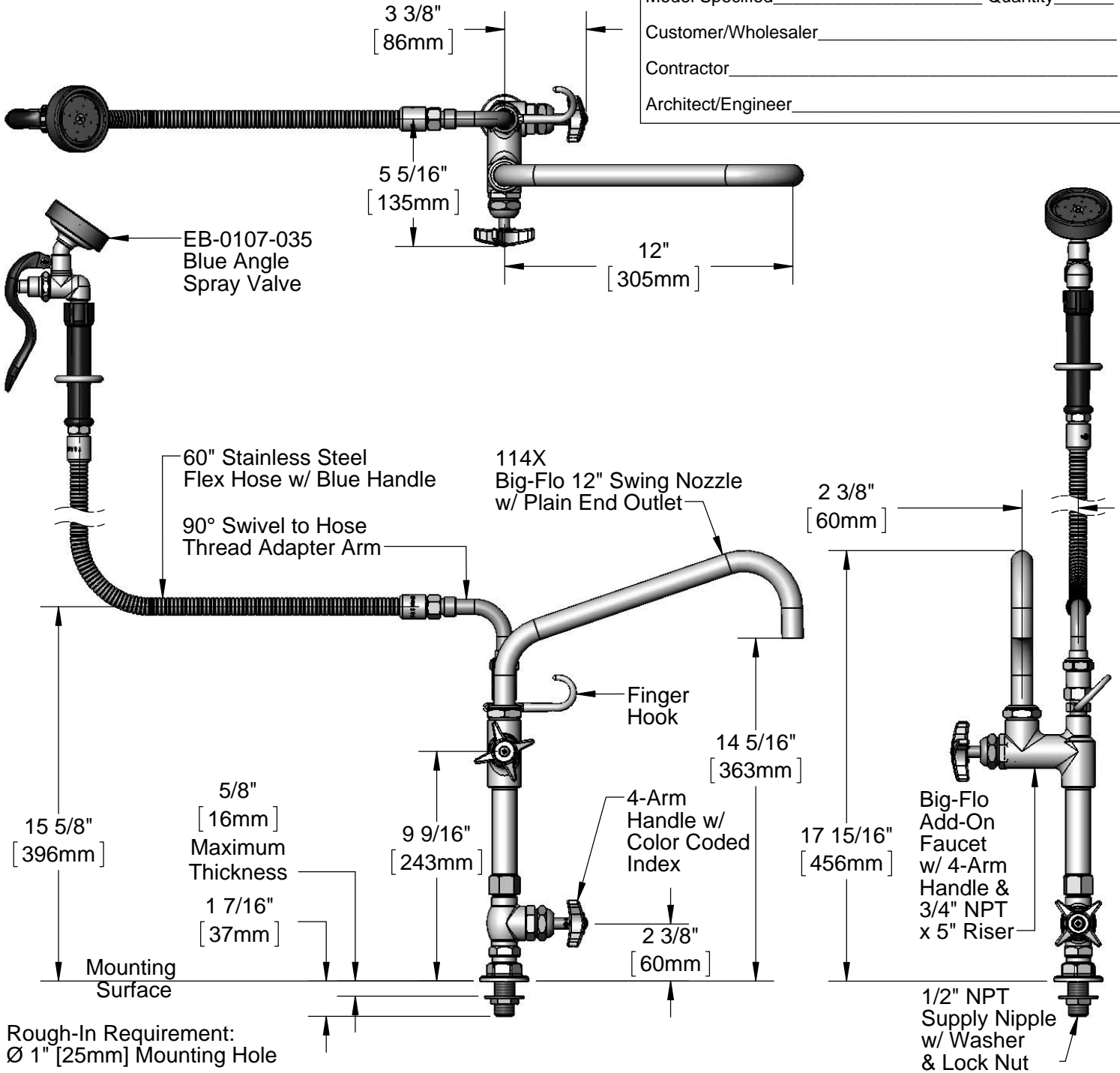
Item No.

Travelers Rest, SC: 800-476-4103 • Simi Valley, CA: 800-423-0150 • Fax: 864-834-3518 • www.tsbrass.com

**EPAct2005 Non-Compliant**

This Space for Architect/Engineer Approval

Job Name \_\_\_\_\_ Date \_\_\_\_\_  
 Model Specified \_\_\_\_\_ Quantity \_\_\_\_\_  
 Customer/Wholesaler \_\_\_\_\_  
 Contractor \_\_\_\_\_  
 Architect/Engineer \_\_\_\_\_



Product Specifications:  
 Big-Flo Single Hole Deck Mount Faucet, Big-Flo Spindle RTC, Add-On Faucet w/ 12" Big-Flo Swing Nozzle, 90° Swivel Adapter, 60" Stainless Steel Flex Hose, Blue Angle Spray Valve & 1/2" NPT Male Supply Inlet

Drawn <b>DHL</b>	Checked <b>DMH</b>	Approved <b>JHB</b>
Scale: <b>1:6</b>		Date: <b>11/15/12</b>



# T&S BRASS AND BRONZE WORKS, INC.

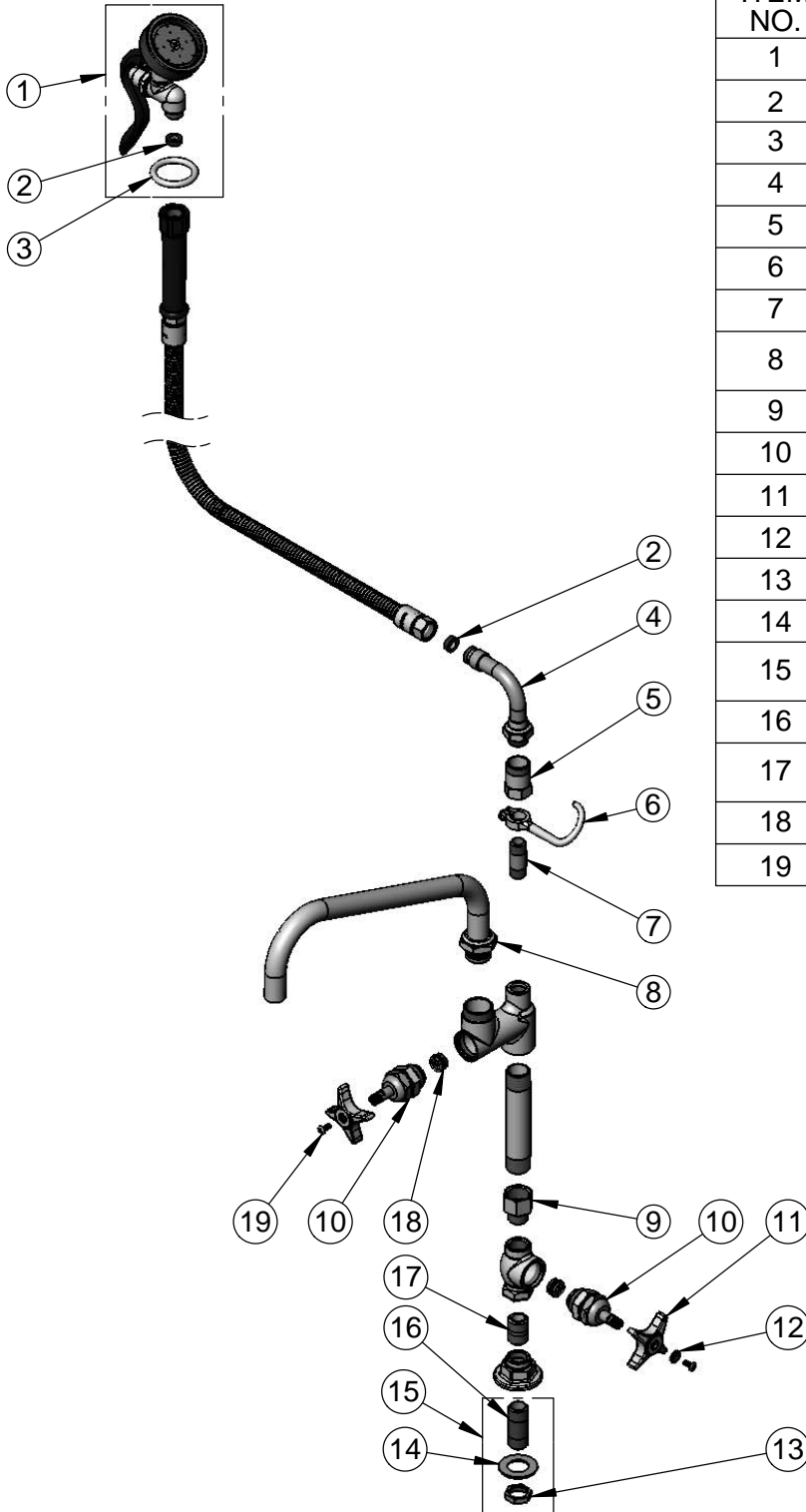
2 Saddleback Cove / P.O. Box 1088  
Travelers Rest, SC 29690

Model No.

**BF-0176**

Item No.

Travelers Rest, SC: 800-476-4103 • Simi Valley, CA: 800-423-0150 • Fax: 864-834-3518 • www.tsbrass.com



ITEM NO.	SALES NO.	DESCRIPTION
1	EB-0107-035	Blue Angle Spray Valve
2	010476-45	#27 Washer
3	000907-45	Spray Valve Hold Down Ring
4	034A	Swivel Adapter Arm
5	054X	Swivel Body
6	004R	Finger Hook
7	000356-40	Nipple, 3/8" NPT x 1-3/4"
8	114X	Big-Flo 12" Swing Nozzle w/ Plain End Outlet
9	006112-25	Adapter, 3/4 FNPT x 1/2 MNPT
10	006482-40	Big-Flo Spindle, RTC
11	002521-45	4-Arm Handle
12	001660-45	Blue Index-CW
13	002954-45	Shank Lock Nut
14	000999-45	Brass Lock Washer
15	B-0425	1/2" NPT Supply Nipple w/ Washer & Lock Nut
16	000422-20	1/2" NPT Supply Nipple
17	002534-25	Close Nipple, 1/2" x 1 5/32" Lg Rough Chrome
18	000764-20	Seat, Big-Flo
19	000922-45	Lever Handle Screw

**Product Specifications:**

Big-Flo Single Hole Deck Mount Faucet, Big-Flo Spindle RTC, Add-On Faucet w/ 12" Big-Flo Swing Nozzle, 90° Swivel Adapter, 60" Stainless Steel Flex Hose, Blue Angle Spray Valve & 1/2" NPT Male Supply Inlet

Drawn

**DHL**

Checked

**DMH**

Approved

**JHB**

Scale:

**NTS**

Date:

**11/15/12**