

T&S BRASS AND BRONZE WORKS, INC.

2 Saddleback Cove / P.O. Box 1088
Travelers Rest, SC 29690

Model No.

EC-3100-LF22-SB

Item No.

Travelers Rest, SC: 800-476-4103 • Simi Valley, CA: 800-423-0150 • Fax: 864-834-3518 • www.tsbrass.com



ADA Compliant



This Space for Architect/Engineer Approval

Job Name _____ Date _____

Model Specified _____ Quantity _____

Customer/Wholesaler _____

Contractor _____

Architect/Engineer _____

018052-40
Rigid Surgical Bend Nozzle
w/ 2.2 GPM [8.3 L/min]
Vandal Resistant Laminar
Flow Device.

Available Outlet
Option B-0103-F
Series Flow Control
Rosespray Outlet

3 5/8" x 4 3/16" x 2" Deep
[92mm x 106mm x 51mm]
Water Resistant Control
Module Box (Blue) w/
Internal Flow Control
Setting Switches, AC or
DC operated w/ (4) AA
Batteries. Hardwire Capable
using Terminals on Back

24" [610mm]
Sensor Cable

Removable
Strainer

DECK

2 1/4" Max.
[57mm]

Ø 1" [25mm]
Deck Hole

1/2" NPSM x 1/4" NPSM
18" [457mm] Long Flexible
St. Steel Hose (1)

Temperature Mixing Valve
w/ Integral Check Valves

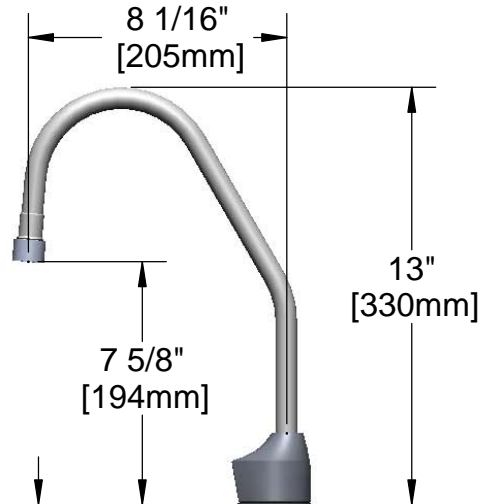
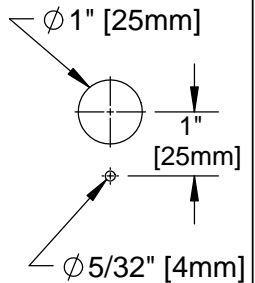
NOTE: Supply Stops by Others

Furnished w/ (2)
3/8" Compression x 1/2" NPSM
18" [457mm] Flex. St. Steel Supply Hose

100-240 VAC Adapter
w/ 144" [3658mm] Long
Double Power Cord.
(Remove Rubber Plugs
on Module and Cable
to Connect)

Ø 1/8" [3mm]
Pin installed
for Anti-rotation
feature. Remove
pin if desired.
(See Mounting
Hole Detail)

Mounting Hole
Detail



Product Specifications:

Chrome Plated Brass Electronic Faucet: Deck Mount Rigid Surgical Bend Nozzle w/ VR Laminar Flow Device, AC/DC Control Module with Internal Flow Control Setting Switches, Temperature Control Mixing Valve w/ Integral Check Valves & 18" Long Hot & Cold Supply Hoses

Drawn

KJG

Checked

GEF

Approved

JHB

Scale:

1:6

Date:

03/30/12



T&S BRASS AND BRONZE WORKS, INC.

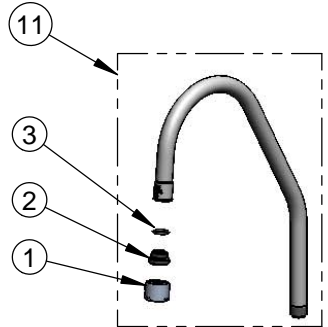
2 Saddleback Cove / P.O. Box 1088
Travelers Rest, SC 29690

Model No.

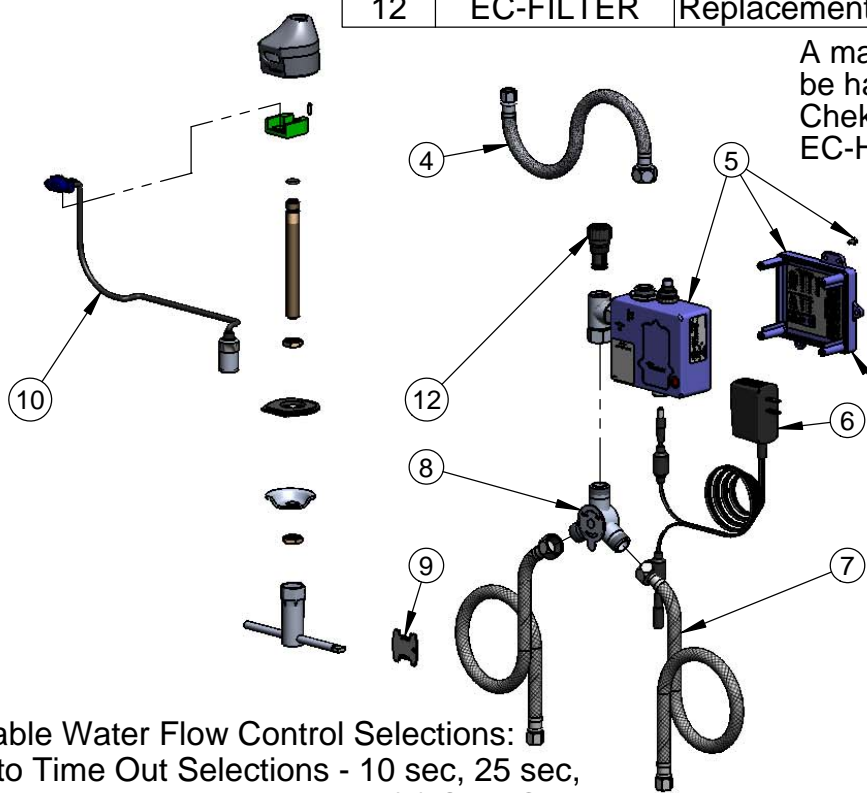
EC-3100-LF22-SB

Item No.

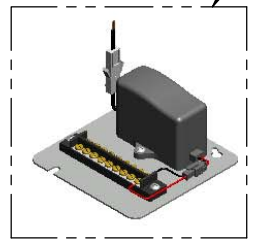
Travelers Rest, SC: 800-476-4103 • Simi Valley, CA: 800-423-0150 • Fax: 864-834-3518 • www.tsbrass.com



ITEM NO.	SALES NO.	DESCRIPTION
1	B-0199-21-VRF	VR Device, 2.2 GPM, Laminar Flow, 55/64-27
2	044A	3/8" to Aerator Adapter
3	006575-45	-015 O-Ring
4	016297-45	Inlet Hose, Faucet, 1/2" NPSM-F x 1/4" NPSM-F
5	016647-45	ChekPoint Module (Blue)
6	5EF-0002	A/C Transformer
7	5EF-0005	Supply Hose, 9/16-24 Female x 1/2" NPSM
8	5EF-0006	Mechanical Mixing Valve
9	015425-45	Vandal Resistant Key
10	017195-45	Angled Sensor w/ Cable
11	018052-40	Rigid Surgical Bend Nozzle w/ 2.2 VR Laminar Flow Device
12	EC-FILTER	Replacement Filter



A maximum of (8) ChekPoint Faucets can be hardwire connected and powered by ChekPoint Hardwire AC Transformer. EC-HARDWIRE (Sold Separately)



Label for Flow Control Switch Settings is located on Inside of Back Cover.

Flow Control Switches are located inside Module Housing in Black Box next to Battery Compartment.

*Switches are set to DEFAULT position: Auto Time Out = 10 seconds Shut Off Delay = 1 second Auto Flush = OFF

Remove (4) screws and back cover to access switches.

*Available Water Flow Control Selections:
(6) Auto Time Out Selections - 10 sec, 25 sec, 45 sec, 60 sec, 3 min, 20 min (4) Shut Off Delay Selections - 1 sec, 2 sec, 4 sec, 10 sec Auto Flush for 30 Seconds After Every 12 Inactive Hours - ON or OFF

Product Specifications:

Chrome Plated Brass Electronic Faucet: Deck Mount Rigid Surgical Bend Nozzle w/ VR Laminar Flow Device, AC/DC Control Module with Internal Flow Control Setting Switches, Temperature Control Mixing Valve w/ Integral Check Valves & 18" Long Hot & Cold Supply Hoses

Drawn KJG	Checked GEF	Approved JHB
Scale: NTS		Date: 03/30/12