

T&S BRASS AND BRONZE WORKS, INC.
 2 Saddleback Cove / P.O. Box 1088
 Travelers Rest, SC 29690

Model No.
EC-3100-TMV

Item No.

Travelers Rest, SC: 800-476-4103 • Simi Valley, CA: 800-423-0150 • Fax: 864-834-3518 • www.tsbrass.com



ADA Compliant



This Space for Architect/Engineer Approval

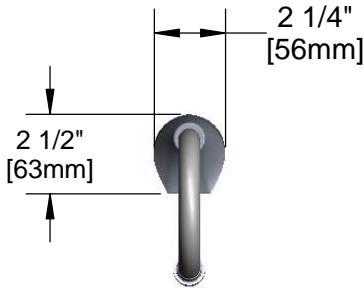
Job Name _____ Date _____

Model Specified _____ Quantity _____

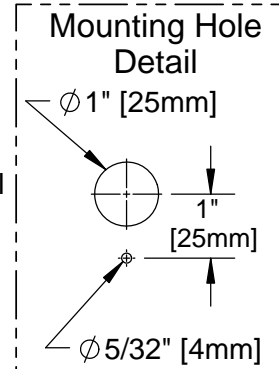
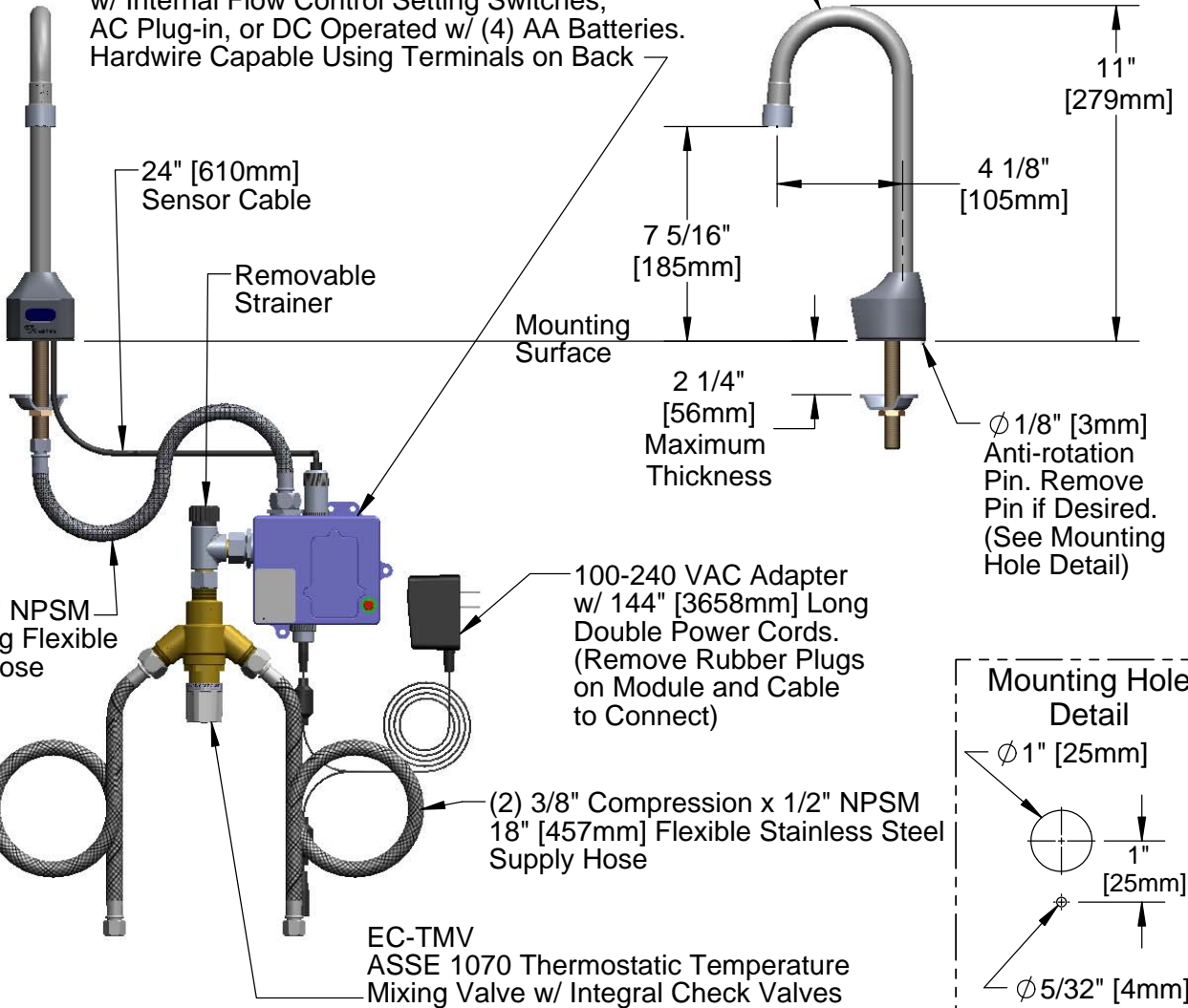
Customer/Wholesaler _____

Contractor _____

Architect/Engineer _____



3 5/8" x 4 3/16" x 2" Deep
 [92mm x 106mm x 51mm]
 Water Resistant Control Module Box (Blue)
 w/ Internal Flow Control Setting Switches,
 AC Plug-in, or DC Operated w/ (4) AA Batteries.
 Hardwire Capable Using Terminals on Back



Product Specifications: Chrome Plated Brass Electronic Faucet: Deck Mt. Rigid Gooseneck w/ VR Aerator, AC/DC Control Module w/ Internal Flow Control Setting Switches, Thermostatic Temperature Control Mixing Valve w/ Integral Check Valves, 18" Long Hot & Cold Supply Stop Flexible Connector Hoses

Drawn GEF	Checked DMH	Approved JHB
Scale: 1:6		Date: 08/01/12



T&S BRASS AND BRONZE WORKS, INC.

2 Saddleback Cove / P.O. Box 1088
Travelers Rest, SC 29690

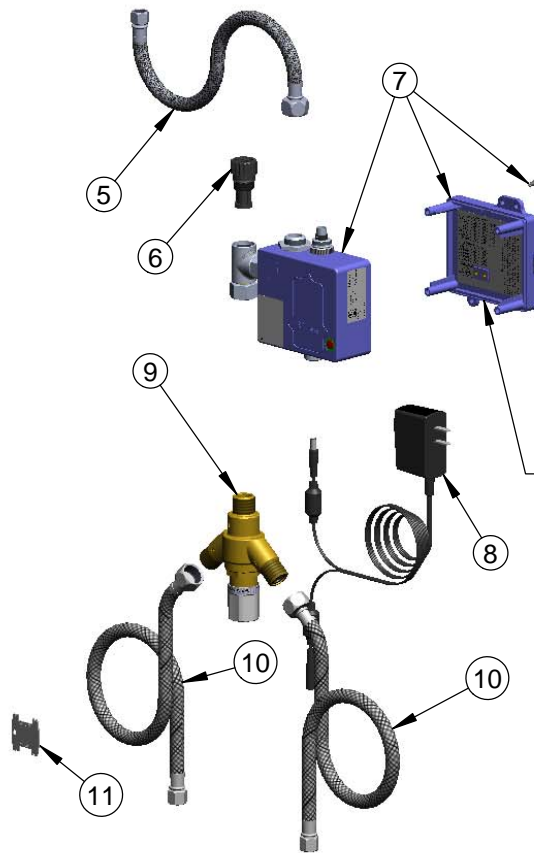
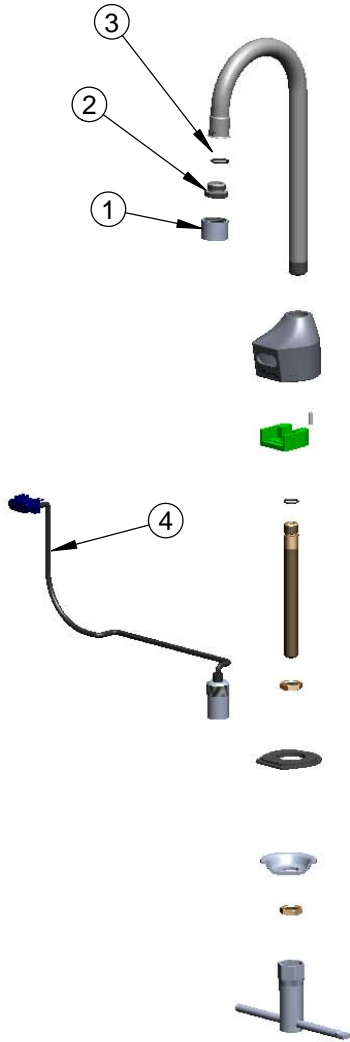
Model No.

EC-3100-TMV

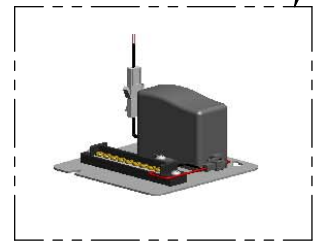
Item No.

Travelers Rest, SC: 800-476-4103 • Simi Valley, CA: 800-423-0150 • Fax: 864-834-3518 • www.tsbrass.com

ITEM NO.	SALES NO.	DESCRIPTION
1	B-0199-06	VR Aerator w/ Key
2	044A	3/8" to Aerator Adapter
3	006575-45	-015 O-Ring
4	017195-45	Angled Sensor w/ Cable
5	016297-45	Inlet Hose, Faucet, 1/2" NPSM-F x 1/4" NPSM-F
6	EC-FILTER	Replacement Filter
7	016647-45	ChekPoint Electronic Module (Blue)
8	5EF-0002	A/C Transformer
9	EC-TMV	ASSE 1070 Thermostatic Mixing Valve
10	5EF-0005	Supply Hose, 9/16-24 Female x 1/2" NPSM
11	015425-45	Vandal Resistant Key



Maximum of (8) ChekPoint Faucets Can be Hardwire Connected and Powered by ChekPoint Hardwire AC Transformer EC-HARDWIRE (Sold Separately)



Label for Flow Control Switch Settings is Located on Inside Back Cover.

Flow Control Switches are Located Inside Module Housing in Black Box Next to Battery Compartment.
*Switches are Set to DEFAULT Position:
Auto Time Out = 10 Seconds
Shut Off Delay = 1 Second

Remove (4) Screws and Back Cover to Access Switches.

***Available Water Flow Control Selections:**

(6) Auto Time Out Selections - 10 sec, 25 sec, 45 sec, 60 sec, 3 min, 20 min

(4) Shut Off Delay Selections - 1 sec, 2 sec, 4 sec, 10 sec

Auto Flush for 30 Seconds After Every 12 Inactive Hours - ON or OFF

Product Specifications:

Chrome Plated Brass Electronic Faucet: Deck Mt. Rigid Gooseneck w/ VR Aerator, AC/DC Control Module w/ Internal Flow Control Setting Switches, Thermostatic Temperature Control Mixing Valve w/ Integral Check Valves, 18" Long Hot & Cold Supply Stop Flexible Connector Hoses

Drawn

GEF

Checked

DMH

Approved

JHB

Scale:

NTS

Date:

08/01/12