

# T&S BRASS AND BRONZE WORKS, INC.

2 Saddleback Cove / P.O. Box 1088  
Travelers Rest, SC 29690

Model No.

**EC-3100-VF05**

Item No.

Travelers Rest, SC: 800-476-4103 • Simi Valley, CA: 800-423-0150 • Fax: 864-834-3518 • www.tsbrass.com

This Space for Architect/Engineer Approval

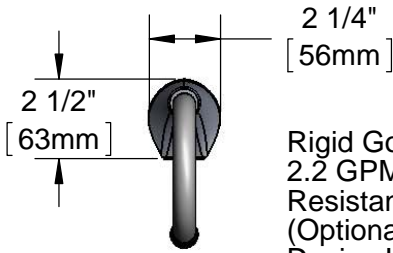
Job Name \_\_\_\_\_ Date \_\_\_\_\_

Model Specified \_\_\_\_\_ Quantity \_\_\_\_\_

Customer/Wholesaler \_\_\_\_\_

Contractor \_\_\_\_\_

Architect/Engineer \_\_\_\_\_

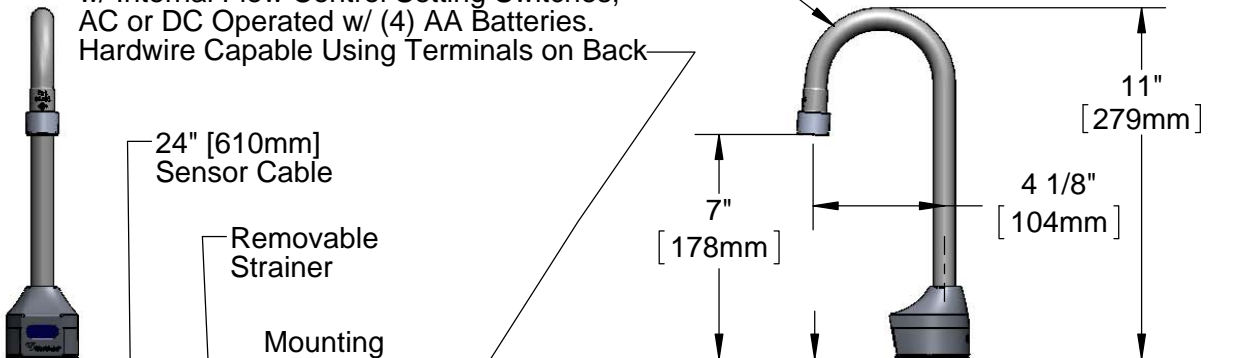


**ADA Compliant**

Rigid Gooseneck w/  
2.2 GPM Vandal  
Resistant Aerator  
(Optional 0.5 GPM VR Spray  
Device Included)



3 5/8" x 4 3/16" x 2" Deep  
[92mm x 106mm x 51mm]  
Water Resistant Control Module Box (Blue)  
w/ Internal Flow Control Setting Switches,  
AC or DC Operated w/ (4) AA Batteries.  
Hardwire Capable Using Terminals on Back



24" [610mm]  
Sensor Cable

Removable  
Strainer

Mounting  
Surface

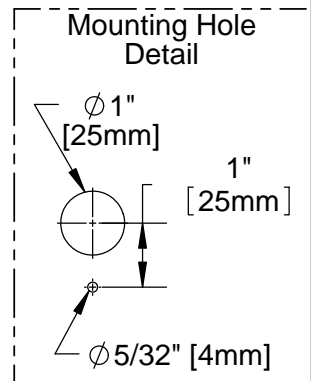
Ø 1/8" [3mm]  
Anti-rotation  
Pin. Remove  
Pin if Desired.  
(See Mounting  
Hole Detail)

1/2" NPSM x 1/4" NPSM  
18" [457mm] Long Flexible  
Stainless Steel Hose

100-240 VAC Adapter  
w/ 144" [3658mm] Long  
Double Power Cord.  
(Remove Rubber Plugs  
on Module and Cable  
to Connect)

(2) 3/8" Compression x 1/2" NPSM  
18" [457mm] Flexible Stainless Steel  
Supply Hose

Temperature Mixing Valve  
w/ Integral Check Valve



Product Specifications:  
Chrome Plated Brass Electronic Faucet: Deck Mt. Rigid Gooseneck  
w/ VR Aerator, Optional VR 0.5 GPM Spray Device, AC/DC Control  
Module w/ Internal Flow Cont. Setting Switches, Temperature Control  
Mixing Valve w/ Integral Check Valves, 18" Lg. Hot & Cold Supply  
Stop Flexible Connector Hoses

Drawn  
**KJG**

Checked  
**GEF**

Approved  
**JHB**

Scale:  
**1:4**

Date:  
**06/29/12**



# T&S BRASS AND BRONZE WORKS, INC.

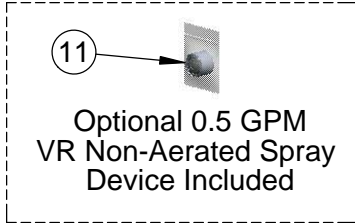
2 Saddleback Cove / P.O. Box 1088  
Travelers Rest, SC 29690

Model No.

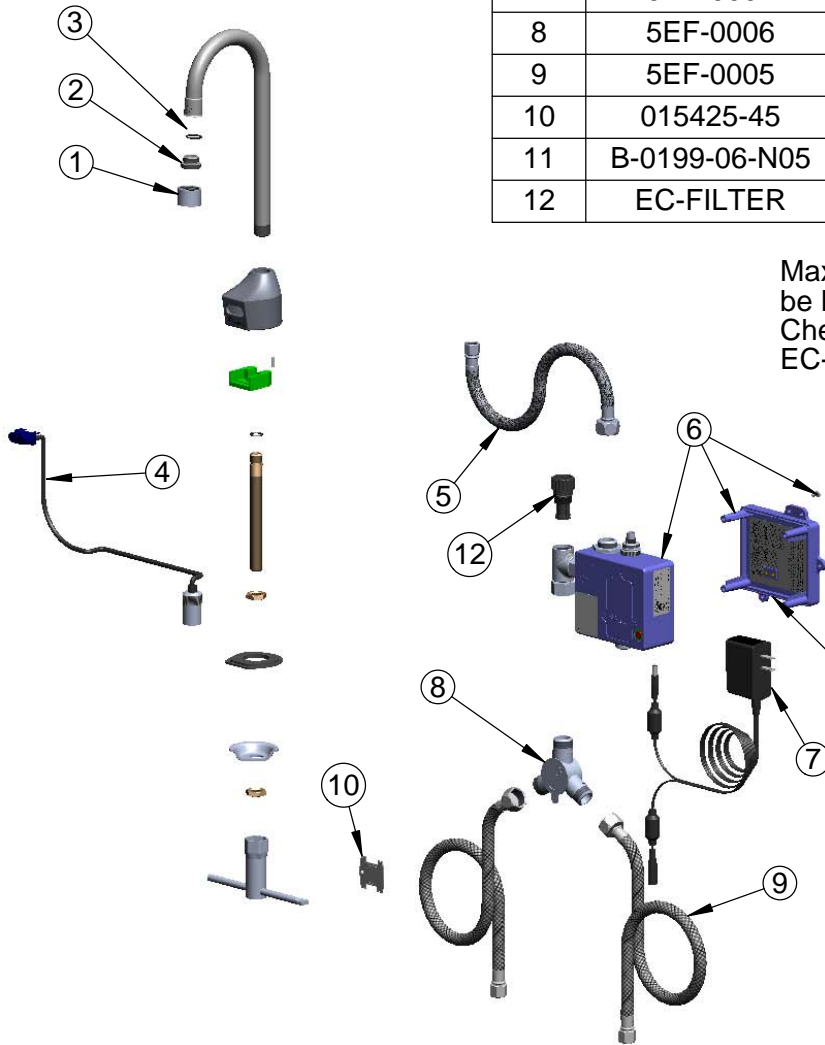
**EC-3100-VF05**

Item No.

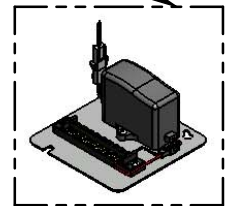
Travelers Rest, SC: 800-476-4103 • Simi Valley, CA: 800-423-0150 • Fax: 864-834-3518 • www.tsbrass.com



ITEM NO.	SALES NO.	DESCRIPTION
1	B-0199-06	VR Aerator w/ Key
2	044A	3/8" to Aerator Adapter
3	006575-45	O-Ring
4	017195-45	Angled Sensor w/ Cable
5	016297-45	Inlet Hose, Faucet, 1/2" NPSM-F x 1/4" NPSM-F
6	016647-45	ChekPoint Module (Blue)
7	5EF-0002	Double Gang, Plug-in AC Transformer
8	5EF-0006	Mechanical Mixing Valve
9	5EF-0005	Supply Hose, 9/16-24 Female x 1/2" NPSM
10	015425-45	Vandal Resistant Key
11	B-0199-06-N05	0.5 GPM VR Spray Device, 55/64-27 Female
12	EC-FILTER	Replacement Filter



Maximum of (8) ChekPoint Faucets Can  
be Hardwire Connected and Powered by  
ChekPoint Hardwire AC Transformer.  
EC-HARDWIRE (Sold Separately)



Label for Flow Control Switch Settings  
is Located on Inside of Back Cover.

Flow Control Switches are Located  
Inside Module Housing in Black Box  
Next to Battery Compartment.  
\*Switches are Set to DEFAULT Position:  
Auto Time Out = 10 seconds  
Shut Off Delay = 1 second  
Auto Flush = OFF

Remove (4) Screws and Back Cover to  
Access Switches.

**\*Available Water Flow Control Selections:**

(6) Auto Time Out Selections - 10 sec, 25 sec, 45 sec, 60 sec, 3 min, 20 min

(4) Shut Off Delay Selections - 1 sec, 2 sec, 4 sec, 10 sec

Auto Flush for 30 Seconds After Every 12 Inactive Hours - ON or OFF

**Product Specifications:**

Chrome Plated Brass Electronic Faucet: Deck Mt. Rigid Gooseneck  
w/ VR Aerator, Optional VR 0.5 GPM Spray Device, AC/DC Control  
Module w/ Internal Flow Cont. Setting Switches, Temperature Control  
Mixing Valve w/ Integral Check Valves, 18" Lg. Hot & Cold Supply  
Stop Flexible Connector Hoses

Drawn <b>KJG</b>	Checked <b>GEF</b>	Approved <b>JHB</b>
Scale: <b>NTS</b>		Date: <b>06/29/12</b>