

# T&S BRASS AND BRONZE WORKS, INC.

2 Saddleback Cove / P.O. Box 1088  
Travelers Rest, SC 29690

Model No.

**EC-3100**

Item No.

Travelers Rest, SC: 800-476-4103 • Simi Valley, CA: 800-423-0150 • Fax: 864-834-3518 • www.tsbrass.com

This Space for Architect/Engineer Approval

Job Name \_\_\_\_\_ Date \_\_\_\_\_

Model Specified \_\_\_\_\_ Quantity \_\_\_\_\_

Customer/Wholesaler \_\_\_\_\_

Contractor \_\_\_\_\_

Architect/Engineer \_\_\_\_\_



**ADA Compliant**



3 5/8" x 4 3/16" x 2" Deep  
[92mm x 106mm x 51mm]  
Water Resistant Control Module Box (Blue)  
w/ Internal Flow Control Setting Switches,  
AC or DC operated w/ (4) AA Batteries.  
Hardwire Capable using Terminals on Back

Rigid Gooseneck  
w/ 2.2 GPM [8.3 L/min]  
Vandal Resistant Aerator



24" [610mm]  
Sensor Cable

Removable  
Strainer

7 5/16"  
[185mm]

11"  
[286mm]

4 1/8"  
[105mm]

DECK

1/2" NPSM x 1/4" NPSM  
18" [457mm] Long Flexible  
St. Steel Hose (1)

2 1/4" Max.  
[57mm]

Ø 1" [25mm]  
Deck Hole

Ø 1/8" [3mm]  
Pin installed  
for Anti-rotation  
feature. Remove  
pin if desired.  
(See Mounting  
Hole Detail)

100-240 VAC Adapter  
w/ 144" [3658mm] Long  
Double Power Cord.  
(Remove Rubber Plugs  
on Module and Cable  
to Connect)

Mounting Hole  
Detail

Ø 1" [25mm]

1"  
[25mm]

Ø 5/32" [4mm]

Temperature Mixing Valve  
w/ Integral Check Valves

Furnished w/ (2)  
3/8" Compression x 1/2" NPSM  
18" [457mm] Flex. St. Steel Supply Hose

**NOTE:** Supply Stops by Others

Product Specifications:

Chrome Plated Brass Electronic Faucet: Deck Mount Rigid Gooseneck w/ VR Aerator, AC/DC Control Module with Internal Flow Control Setting Switches, Temperature Control Mixing Valve w/ Integral Check Valves 18" Long Hot & Cold Supply Stop Flexible Connector Hoses

Drawn  
**KJG**

Checked  
**GEF**

Approved  
**JHB**

Scale:  
**1:6**

Date:  
**03/30/12**



# T&S BRASS AND BRONZE WORKS, INC.

2 Saddleback Cove / P.O. Box 1088  
Travelers Rest, SC 29690

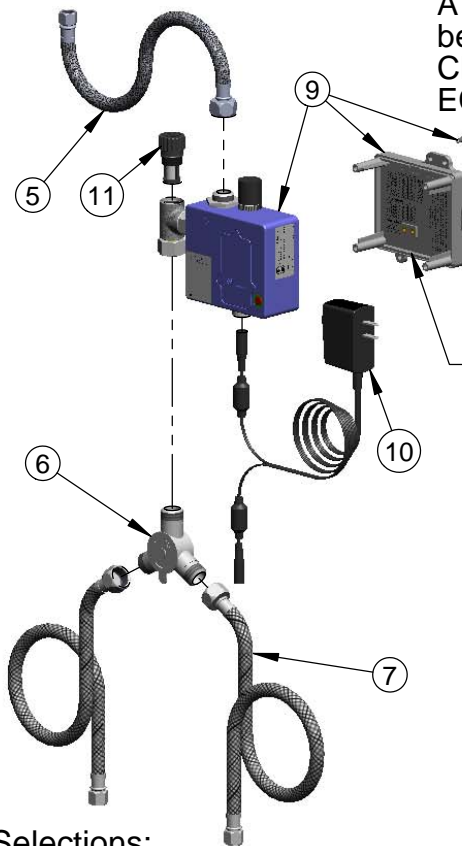
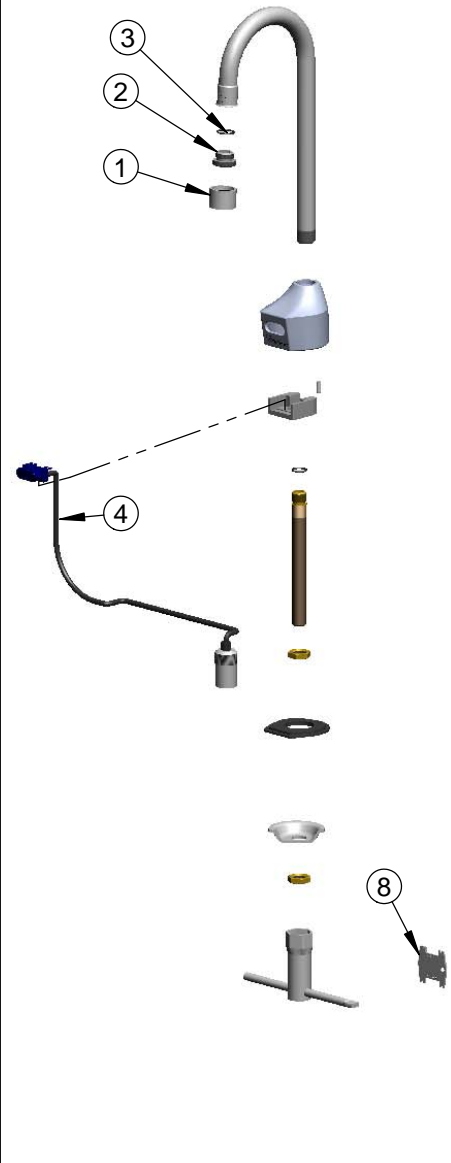
Model No.

**EC-3100**

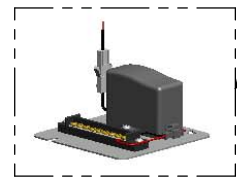
Item No.

Travelers Rest, SC: 800-476-4103 • Simi Valley, CA: 800-423-0150 • Fax: 864-834-3518 • www.tsbrass.com

ITEM NO.	SALES NO.	DESCRIPTION
1	B-0199-06	VR Aerator w/ Key
2	044A	3/8" to Aerator Adapter
3	006575-45	-015 O-Ring
4	017195-45	Angled Sensor w/ Cable
5	016297-45	Inlet Hose, Faucet, 1/2" NPSM-F x 1/4" NPSM-F
6	5EF-0006	Mechanical Mixing Valve
7	5EF-0005	Supply Hose, 9/16-24 Female x 1/2" NPSM
8	015425-45	Vandal Resistant Key
9	016647-45	ChekPoint Module (Blue)
10	5EF-0002	A/C Transformer
11	EC-FILTER	Replacement Filter



A maximum of (8) ChekPoint Faucets can be hardwire connected and powered by ChekPoint Hardwire AC Transformer. EC-HARDWIRE (Sold Separately)



Label for Flow Control Switch Settings is located on Inside of Back Cover.

Flow Control Switches are located inside Module Housing in Black Box next to Battery Compartment.  
\*Switches are set to DEFAULT position:  
Auto Time Out = 10 seconds  
Shut Off Delay = 1 second  
Auto Flush = OFF

Remove (4) screws and back cover to access switches.

**\*Available Water Flow Control Selections:**

(6) Auto Time Out Selections - 10 sec, 25 sec, 45 sec, 60 sec, 3 min, 20 min

(4) Shut Off Delay Selections - 1 sec, 2 sec, 4 sec, 10 sec

Auto Flush for 30 Seconds After Every 12 Inactive Hours - ON or OFF

**Product Specifications:**

Chrome Plated Brass Electronic Faucet: Deck Mount Rigid Gooseneck w/ VR Aerator, AC/DC Control Module with Internal Flow Control Setting Switches, Temperature Control Mixing Valve w/ Integral Check Valves 18" Long Hot & Cold Supply Stop Flexible Connector Hoses

Drawn

**KJG**

Checked

**GEF**

Approved

**JHB**

Scale:

**NTS**

Date:

**03/30/12**