



T&S BRASS AND BRONZE WORKS, INC.

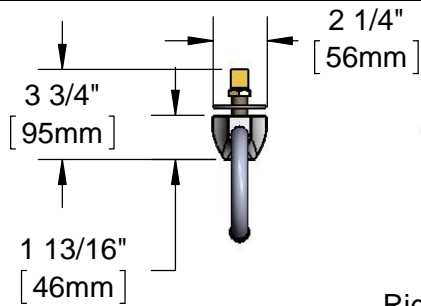
2 Saddleback Cove / P.O. Box 1088
Travelers Rest, SC 29690

Model No.

EC-3101-HG

Item No.

Travelers Rest, SC: 800-476-4103 • Simi Valley, CA: 800-423-0150 • Fax: 864-834-3518 • www.tsbrass.com



ADA Compliant



This Space for Architect/Engineer Approval

Job Name _____ Date _____

Model Specified _____ Quantity _____

Customer/Wholesaler _____

Contractor _____

Architect/Engineer _____

Rigid Gooseneck
w/ 2.2 GPM [8.3 L/min]
Vandal Resistant Aerator

3 5/8" x 4 3/16" x 2" Deep
[92mm x 106mm x 51mm]
Water Resistant Control Module Box (Blue)
w/ Internal Flow Control Setting Switches
AC or DC Operated w/ (4) AA Batteries
if Hydro-Generator is Not Used. Hardwire
Capable Using Terminals on Back

1/2" NPSM x 3/8" NPSM
30" [762mm] Long Flexible
Stainless Steel Hose

24" [610mm]
Sensor Cable

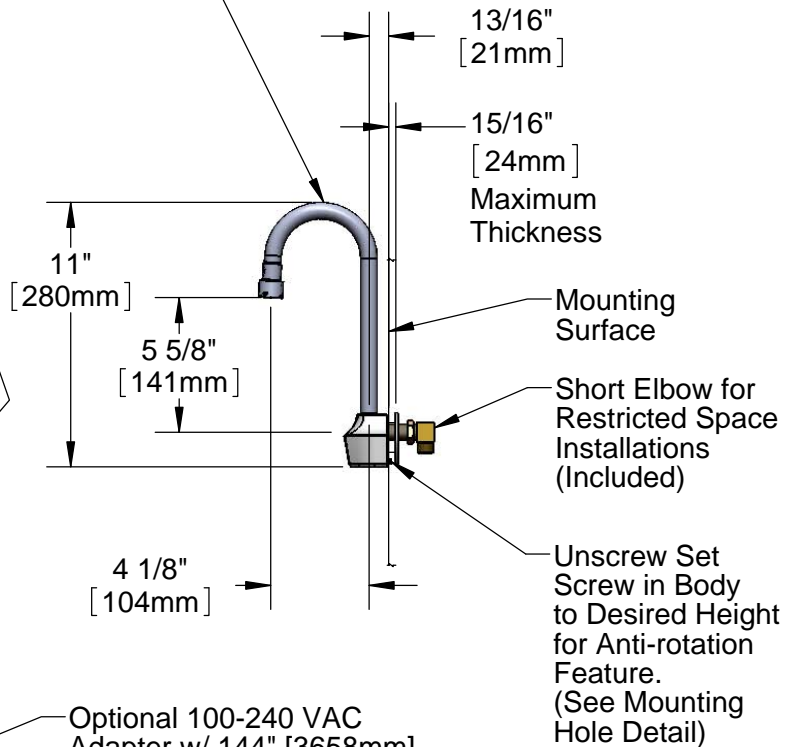
Removable
Strainer

Hydro-Generator
Power Supply.
No AA Batteries
Needed to Supply
Power to Faucet.

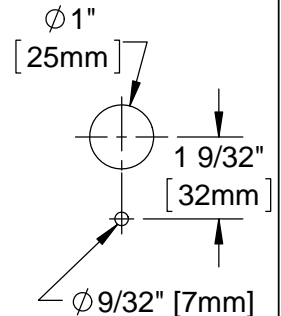
Temperature
Mixing Valve w/
Integral
Check Valves

Optional 100-240 VAC
Adapter w/ 144" [3658mm]
Long Double Power Cord.
(Included)
(Remove Rubber Plugs
on Module and
Cable to Connect)

(2) 3/8" Compression x 1/2" NPSM
18" [457mm] Flexible Stainless Steel
Supply Hose



Mounting Hole
Detail



Product Specifications:

Chrome Plated Brass Electronic Faucet: Wall Mount Rigid Gooseneck w/ VR Aerator, AC/DC Control Module w/ Internal Flow Cont. Setting Switches, Temperature Control Mixing Valve w/ Integral Check Valves, Hydro-Generator, 18" Lg Hot & Cold Supply Stop Flexible Connector Hoses

Drawn

KJG

Checked

GEF

Approved

JHB

Scale:

1:8

Date:

06/29/12



T&S BRASS AND BRONZE WORKS, INC.

2 Saddleback Cove / P.O. Box 1088
Travelers Rest, SC 29690

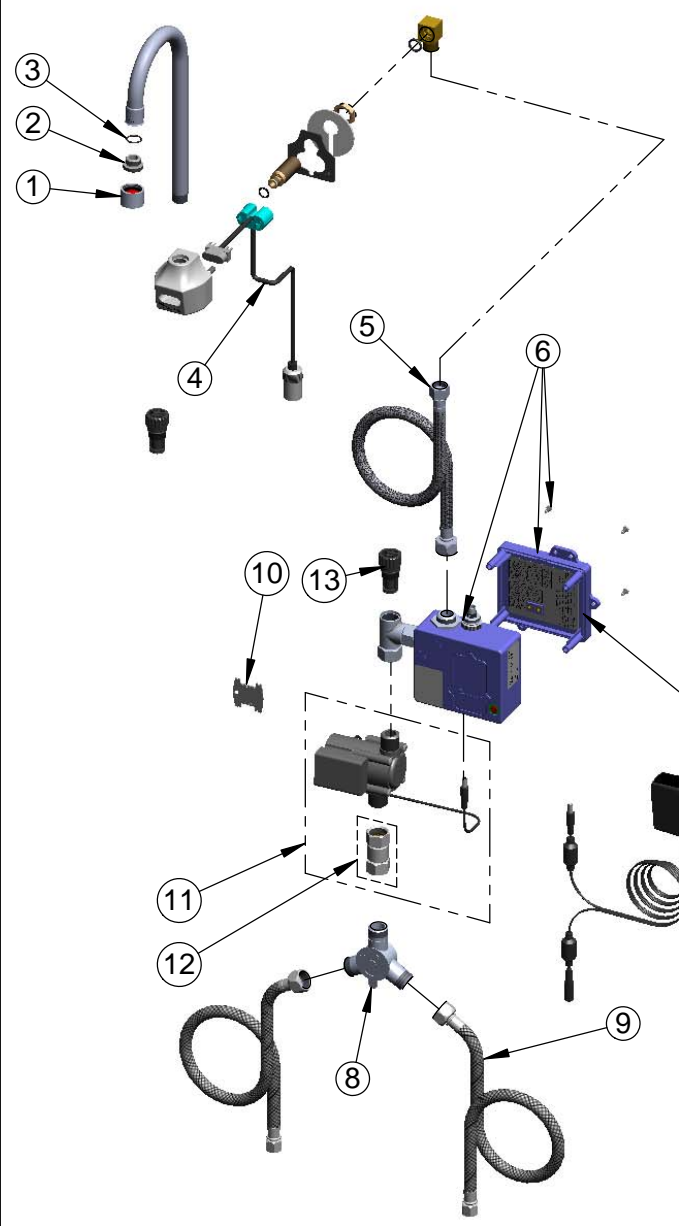
Model No.

EC-3101-HG

Item No.

Travelers Rest, SC: 800-476-4103 • Simi Valley, CA: 800-423-0150 • Fax: 864-834-3518 • www.tsbrass.com

ITEM NO.	SALES NUMBER	DESCRIPTION
1	B-0199-06	VR Aerator w/ Key
2	044A	3/8" to Aerator Adapter
3	006575-45	O-Ring
4	017195-45	Angled Sensor w/ Cable
5	016325-45	Inlet Hose, Faucet, 1/2" NPSM-F x 3/8" NPSM-F
6	016647-45	ChekPoint Module (Blue)
7	5EF-0002	Double Gang, Plug-in AC Transformer
8	5EF-0006	Mechanical Mixing Valve
9	5EF-0005	Supply Hose, 9/16-24 Female x 1/2" NPSM
10	015425-45	Vandal Resistant Key
11	EC-HYDROGEN	Hydro-generator and Swivel Coupling
12	017506-45	1/2 NPSM Swivel Coupling
13	EC-FILTER	Replacement Filter

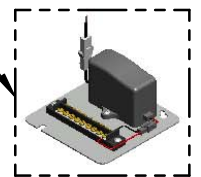


Maximum of (8) ChekPoint Faucets Can be Hardwire Connected and Powered by ChekPoint Hardwire AC Transformer. EC-HARDWIRE (Sold Separately)

Label for Flow Control Switch Settings is Located on Inside of Back Cover.

Flow Control Switches are Located Inside Module Housing in Black Box Next to Battery Compartment.
*Switches are Set to DEFAULT Position:
Auto Time Out = 10 seconds
Shut Off Delay = 1 second
Auto Flush = OFF

Remove (4) Screws and Back Cover to Access Switches.



***Available Water Flow Control Selections:**

(6) Auto Time Out Selections - 10 sec, 25 sec, 45 sec, 60 sec, 3 min, 20 min

(4) Shut Off Delay Selections - 1 sec, 2 sec, 4 sec, 10 sec

Auto Flush for 30 Seconds After Every 12 Inactive Hours - ON or OFF

Product Specifications:

Chrome Plated Brass Electronic Faucet: Wall Mount Rigid Gooseneck w/ VR Aerator, AC/DC Control Module w/ Internal Flow Cont. Setting Switches, Temperature Control Mixing Valve w/ Integral Check Valves, Hydro-Generator, 18" Lg Hot & Cold Supply Stop Flexible Connector Hoses

Drawn KJG	Checked GEF	Approved JHB
Scale: NTS		Date: 06/29/12