



**T&S BRASS AND BRONZE WORKS, INC.**  
 2 Saddleback Cove / P.O. Box 1088  
 Travelers Rest, SC 29690

Model No.  
**EC-3101-LF22-SB**

Item No.

Travelers Rest, SC: 800-476-4103 • Simi Valley, CA: 800-423-0150 • Fax: 864-834-3518 • www.tsbrass.com



Optional B-0103-F Series  
 Flow Control Rosespray  
 Outlet (Sold Separately)

2 1/4"  
 [57mm]



**ADA Compliant**

This Space for Architect/Engineer Approval

Job Name \_\_\_\_\_ Date \_\_\_\_\_

Model Specified \_\_\_\_\_ Quantity \_\_\_\_\_

Customer/Wholesaler \_\_\_\_\_

Contractor \_\_\_\_\_

Architect/Engineer \_\_\_\_\_

3 3/4"  
 [95mm]

1 13/16"  
 [47mm]

018052-40  
 Rigid Surgical Bend Nozzle  
 w/ 2.2 GPM [8.3 L/min]  
 Vandal Resistant Laminar  
 Flow Device.

15/16"  
 [24mm]  
 Maximum  
 Thickness

Mounting  
 Surface

Short Elbow for  
 Restricted Space  
 Installations  
 (Included)

Unscrew Set  
 Screw in Body  
 to Desired Height  
 for Anti-rotation  
 Feature.  
 (See Mounting  
 Hole Detail)

1/2" NPSM x 3/8" NPSM  
 30" [762mm] Long Flexible  
 Stainless Steel Hose

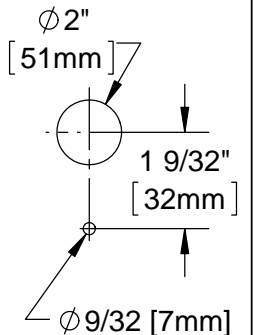
24" [610mm]  
 Sensor Cable

3 5/8" x 4 3/16" x 2" Deep  
 [92mm x 106mm x 51mm]  
 Water Resistant Control Module Box (Blue)  
 w/ Internal Flow Control Setting Switches  
 AC or DC Operated w/ (4) AA Batteries.  
 Hardwire Capable Using Terminals on Back

100-240 VAC Adapter  
 w/ 144" [3658mm] Long  
 Double Power Cord.  
 (Remove rubber plugs  
 on module and  
 cable to connect)

(2) 3/8" Compression x 1/2" NPSM  
 18" [457mm] Flexible Stainless Steel  
 Supply Hose

Mounting Hole  
 Detail



Removable  
 Strainer

Temperature  
 Mixing Valve  
 w/ Integral  
 Check Valves

Product Specifications:

Chrome Plated Brass Electronic Faucet: Wall Mount Rigid Surgical Bend Nozzle w/ VR Laminar Flow Device, AC/DC Control Module w/ Internal Flow Control Setting Switches, Temperature Control Mixing Valve w/ Integral Check Valves, & 18" Lg Hot & Cold Supply Hoses

Drawn

**KJG**

Checked

**GEF**

Approved

**JHB**

Scale:

**1:7**

Date:

**06/29/12**



# T&S BRASS AND BRONZE WORKS, INC.

2 Saddleback Cove / P.O. Box 1088  
Travelers Rest, SC 29690

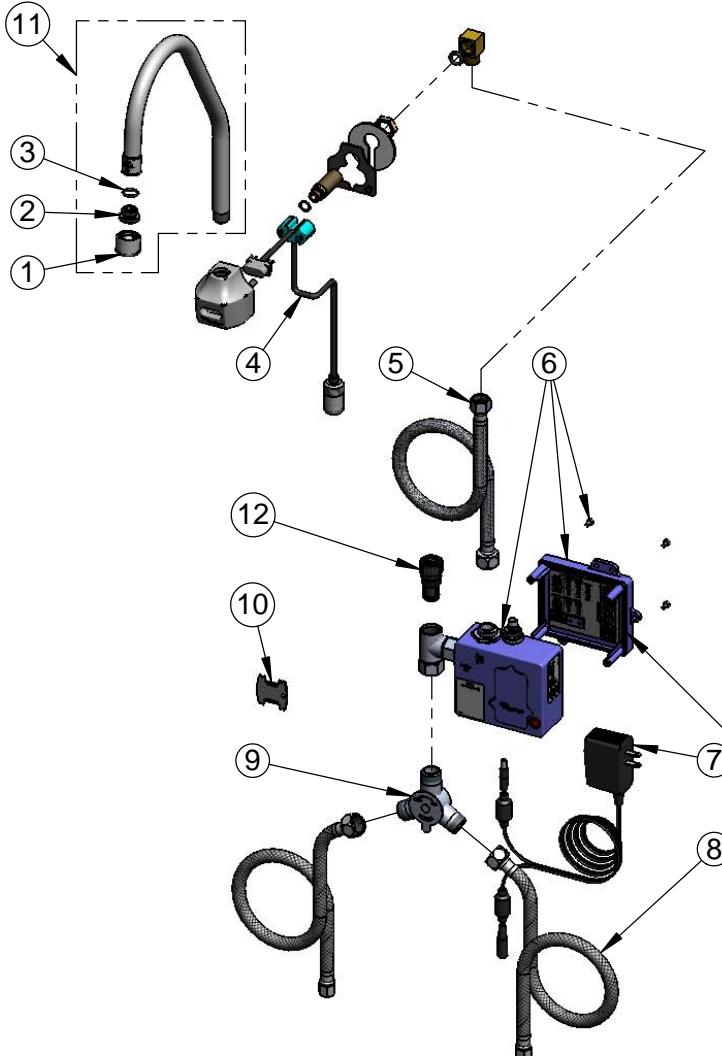
Model No.

**EC-3101-LF22-SB**

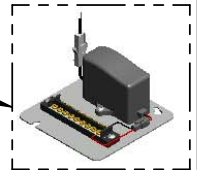
Item No.

Travelers Rest, SC: 800-476-4103 • Simi Valley, CA: 800-423-0150 • Fax: 864-834-3518 • www.tsbrass.com

ITEM NO.	SALES NO.	DESCRIPTION
1	B-0199-21-VRF	VR Device 2.2 GPM, Laminar Flow, 55/64-27
2	044A	3/8" to Aerator Adapter
3	006575-45	O-Ring
4	017195-45	Angled Sensor w/ Cable
5	016325-45	Inlet Hose, Faucet, 1/2" NPSM-F x 3/8" NPSM-F
6	016647-45	ChekPoint Module (Blue)
7	5EF-0002	Double Gang, Plug-in A/C Transformer
8	5EF-0005	Supply Hose, 9/16-24 Female x 1/2" NPSM
9	5EF-0006	Mechanical Mixing Valve
10	015425-45	Vandal Resistant Key
11	018052-40	Rigid Surgical Bend Nozzle w/ 2.2 GPM VR Laminar Flow Device
12	EC-FILTER	Replacement Filter



Maximum of (8) ChekPoint Faucets Can be Hardwire Connected and Powered by ChekPoint Hardwire AC Transformer. EC-HARDWIRE (Sold Separately)



Label for Flow Control Switch Settings is Located on Inside of Back Cover.

Flow Control Switches are Located Inside Module Housing in Black Box Next to Battery Compartment.  
\*Switches are Set to DEFAULT Position:  
Auto Time Out = 10 seconds  
Shut Off Delay = 1 second  
Auto Flush = OFF

Remove (4) Screws and Back Cover to Access Switches.

**\*Available Water Flow Control Selections:**

(6) Auto Time Out Selections - 10 sec, 25 sec, 45 sec, 60 sec, 3 min, 20 min

(4) Shut Off Delay Selections - 1 sec, 2 sec, 4 sec, 10 sec

Auto Flush for 30 Seconds After Every 12 Inactive Hours - ON or OFF

**Product Specifications:**

Chrome Plated Brass Electronic Faucet: Wall Mount Rigid Surgical Bend Nozzle w/ VR Laminar Flow Device, AC/DC Control Module w/ Internal Flow Control Setting Switches, Temperature Control Mixing Valve w/ Integral Check Valves, & 18" Lg Hot & Cold Supply Hoses

Drawn <b>KJG</b>	Checked <b>GEF</b>	Approved <b>JHB</b>
Scale: <b>NTS</b>		Date: <b>06/29/12</b>