



T&S BRASS AND BRONZE WORKS, INC.

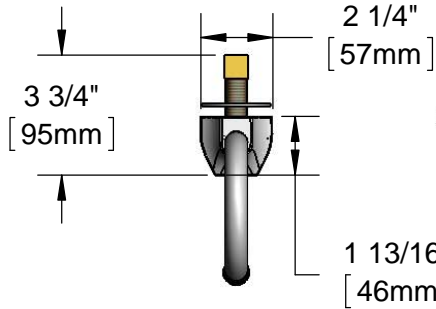
2 Saddleback Cove / P.O. Box 1088
Travelers Rest, SC 29690

Model No.

EC-3101-LF22

Item No.

Travelers Rest, SC: 800-476-4103 • Simi Valley, CA: 800-423-0150 • Fax: 864-834-3518 • www.tsbrass.com



ADA Compliant



This Space for Architect/Engineer Approval

Job Name _____ Date _____

Model Specified _____ Quantity _____

Customer/Wholesaler _____

Contractor _____

Architect/Engineer _____

Rigid Gooseneck w/ 2.2 GPM Vandal Resistant Aerator (Optional 2.2 GPM VR Laminar Device Included)

1/2" NPSM x 3/8" NPSM 30" [762mm] Long Flexible Stainless Steel Hose

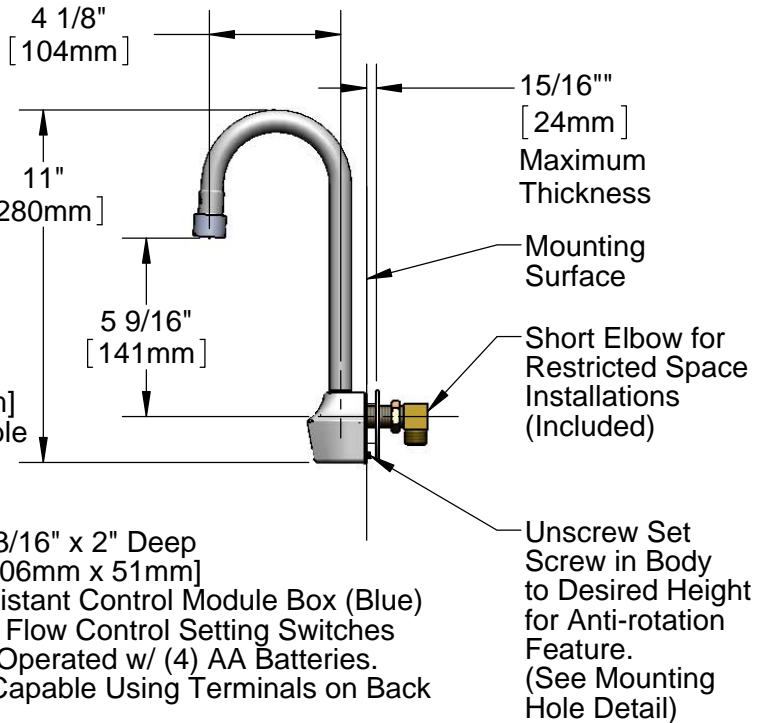
Removable Strainer

Temperature Mixing Valve w/ Integral Check Valves

3 5/8" x 4 3/16" x 2" Deep [92mm x 106mm x 51mm] Water Resistant Control Module Box (Blue) w/ Internal Flow Control Setting Switches AC or DC Operated w/ (4) AA Batteries. Hardwire Capable Using Terminals on Back

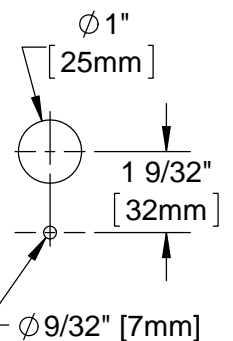
100-240 VAC Adapter w/ 144" [3658mm] Long Double Power Cord. (Remove Rubber Plugs on Module and Cable to Connect)

(2) 3/8" Compression x 1/2" NPSM 18" [457mm] Flexible Stainless Steel Supply Hose



Unscrew Set Screw in Body to Desired Height for Anti-rotation Feature. (See Mounting Hole Detail)

Mounting Hole Detail



Product Specifications:

Chrome Plated Brass Electronic Faucet: Wall Mt. Rigid Gooseneck w/ VR Aerator, Opt. 2.2 GPM Laminar Flow Device, AC/DC Cont. Module with Internal Flow Cont. Setting Switches, Temp. Control Mixing Valve w/ Integral Check Valves, 18" Lg Hot & Cold Supply Stop Flexible Connector Hoses

Drawn KJG	Checked GEF	Approved JHB
Scale: 1:6		Date: 06/29/12



T&S BRASS AND BRONZE WORKS, INC.

2 Saddleback Cove / P.O. Box 1088
Travelers Rest, SC 29690

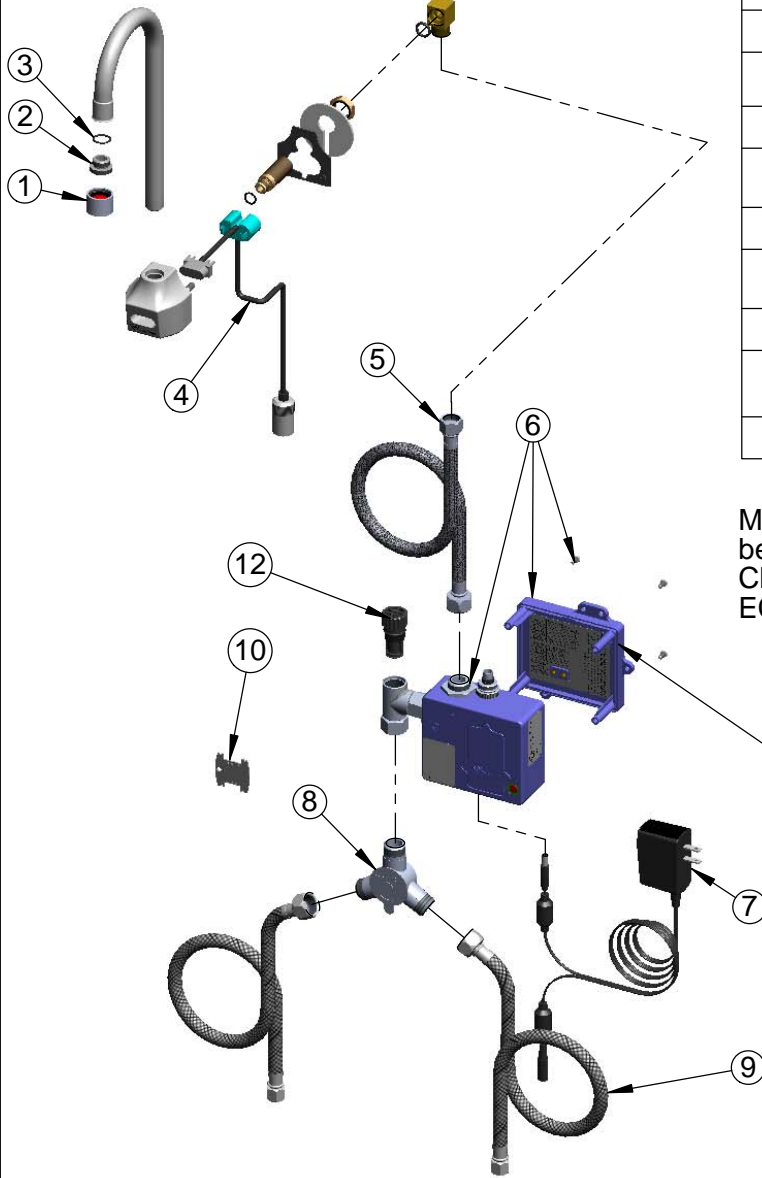
Model No.

EC-3101-LF22

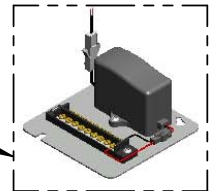
Item No.

Travelers Rest, SC: 800-476-4103 • Simi Valley, CA: 800-423-0150 • Fax: 864-834-3518 • www.tsbrass.com

ITEM NO.	SALES NO.	DESCRIPTION
1	B-0199-06	VR Aerator w/ Key
2	044A	3/8" to Aerator Adapter
3	006575-45	O-Ring
4	017195-45	Angled Sensor w/ Cable
5	016325-45	Inlet Hose, Faucet, 1/2" NPSM-F x 3/8" NPSM-F
6	016647-45	ChekPoint Module (Blue)
7	5EF-0002	Double Gang, Plug-in AC Transformer
8	5EF-0006	Mechanical Mixing Valve
9	5EF-0005	Supply Hose, 9/16-24 Female x 1/2" NPSM
10	015425-45	Vandal Resistant Key
11	B-0199-21-VRF	VR Device, 2.2 GPM, Laminar Flow, 55/64-27
12	EC-FILTER	Replacement Filter



Maximum of (8) ChekPoint Faucets Can be Hardwire Connected and Powered by ChekPoint Hardwire AC Transformer. EC-HARDWIRE (Sold Separately)

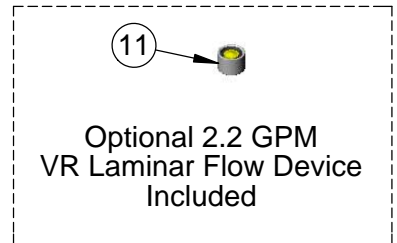


Label for Flow Control Switch Settings is Located on Inside of Back Cover.

Flow Control Switches are Located Inside Module Housing in Black Box Next to Battery Compartment.

*Switches are Set to DEFAULT Position:
Auto Time Out = 10 seconds
Shut Off Delay = 1 second
Auto Flush = OFF

Remove (4) Screws and Back Cover to Access Switches



***Available Water Flow Control Selections:**

(6) Auto Time Out Selections - 10 sec, 25 sec, 45 sec, 60 sec, 3 min, 20 min

(4) Shut Off Delay Selections - 1 sec, 2 sec, 4 sec, 10 sec

Auto Flush for 30 Seconds After Every 12 Inactive Hours - ON or OFF

Product Specifications:

Chrome Plated Brass Electronic Faucet: Wall Mt. Rigid Gooseneck w/ VR Aerator, Opt. 2.2 GPM Laminar Flow Device, AC/DC Cont. Module with Internal Flow Cont. Setting Switches, Temp. Control Mixing Valve w/ Integral Check Valves, 18" Lg Hot & Cold Supply Stop Flexible Connector Hoses

Drawn

KJG

Checked

GEF

Approved

JHB

Scale:

NTS

Date:

06/29/12