



T&S BRASS AND BRONZE WORKS, INC.
 2 Saddleback Cove / P.O. Box 1088
 Travelers Rest, SC 29690

Model No.
EC-3101-LN

Item No.

Travelers Rest, SC: 800-476-4103 • Simi Valley, CA: 800-423-0150 • Fax: 864-834-3518 • www.tsbrass.com

This Space for Architect/Engineer Approval

Job Name _____ Date _____

Model Specified _____ Quantity _____

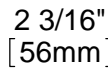
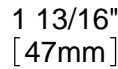
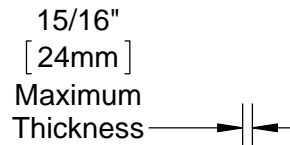
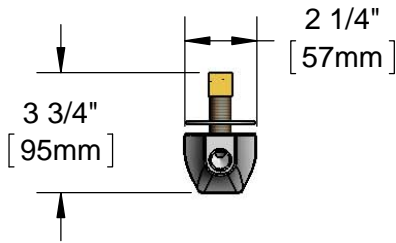
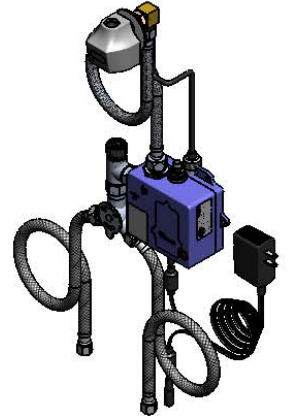
Customer/Wholesaler _____

Contractor _____

Architect/Engineer _____



ADA Compliant



Mounting Surface

Short Elbow for Restricted Space Installations (Included)

Unscrew Set Screw in Body to Desired Height for Anti-rotation Feature. (See Mounting Hole Detail)

1/2" NPSM x 3/8" NPSM 30" [762mm] Long Flexible St. Steel Hose

24" [610mm] Sensor Cable

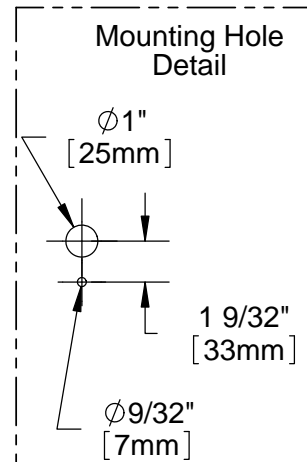
3 5/8" x 4 3/16" x 2" Deep [92mm x 106mm x 51mm] Water Resistant Control Module Box (Blue) w/ Internal Flow Control Setting Switches AC or DC Operated w/ (4) AA Batteries. Hardwire Capable Using Terminals on Back

Removable Strainer

100-240 VAC Adapter w/ 144" [3658mm] Long Double Power Cord. (Remove Rubber Plugs on Module and Cable to Connect)

Temperature Mixing Valve with Integral Check Valves

(2) 3/8" Compression x 1/2" NPSM 18" [457mm] Flexible Stainless Steel Supply Hose



Product Specifications:

Chrome Plated Brass Electronic Faucet: Wall Mount (Less Gooseneck and Aerator), AC/DC Control Module with Internal Flow Control Setting Switches, Temperature Control Mixing Valve, 18" Lg Hot & Cold Supply Stop Flexible Connector Hoses

Drawn

KJG

Checked

GEF

Approved

JHB

Scale:

1:6

Date:

06/29/12



T&S BRASS AND BRONZE WORKS, INC.

2 Saddleback Cove / P.O. Box 1088
Travelers Rest, SC 29690

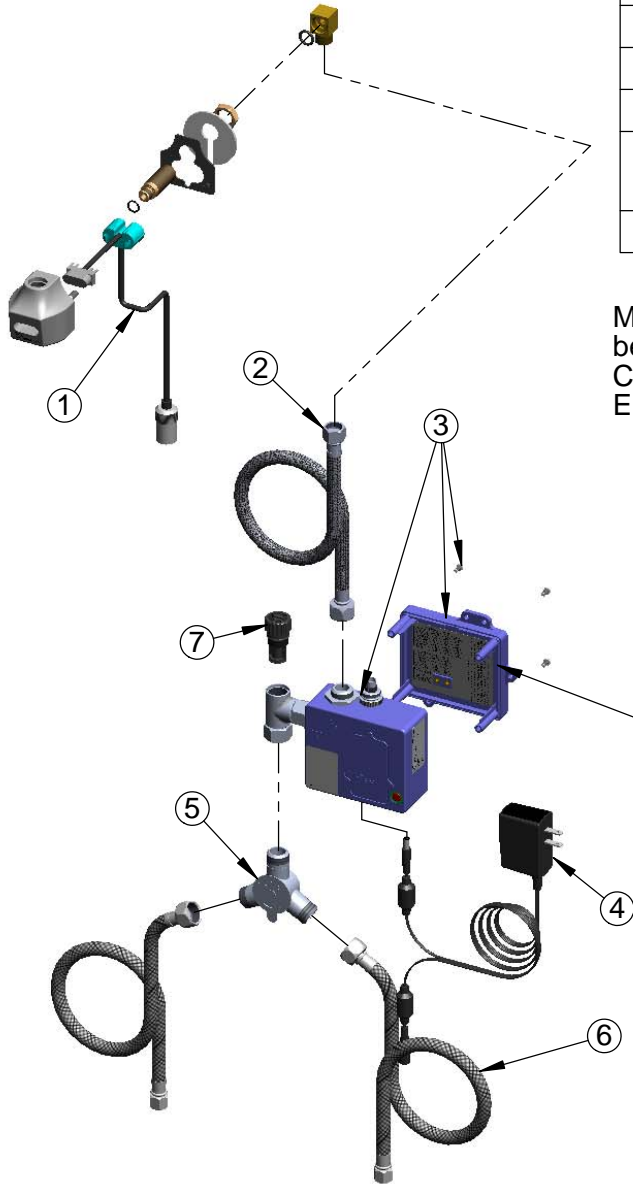
Model No.

EC-3101-LN

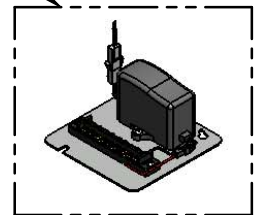
Item No.

Travelers Rest, SC: 800-476-4103 • Simi Valley, CA: 800-423-0150 • Fax: 864-834-3518 • www.tsbrass.com

ITEM NO.	SALES NUMBER	DESCRIPTION
1	017195-45	Angled Sensor w/ Cable
2	016325-45	Inlet Hose, Faucet, 1/2" NPSM-F x 3/8" NPSM-F
3	016647-45	ChekPoint Module (Blue)
4	5EF-0002	Double Gang, Plug-in AC Transformer
5	5EF-0006	Mechanical Mixing Valve
6	5EF-0005	Supply Hose, 9/16-24 Female x 1/2" NPSM
7	EC-FILTER	Replacement Filter



Maximum of (8) ChekPoint Faucets Can be Hardwire Connected and Powered by ChekPoint Hardwire AC Transformer. EC-HARDWIRE (Sold Separately)



Label for Flow Control Switch Settings is Located on Inside of Back Cover.

Flow Control Switches are Located Inside Module Housing in Black Box Next to Battery Compartment.
*Switches are Set to DEFAULT Position:
Auto Time Out = 10 seconds
Shut Off Delay = 1 second
Auto Flush = OFF

Remove (4) Screws and Back Cover to Access Switches.

***Available Water Flow Control Selections:**

- (6) Auto Time Out Selections - 10 sec, 25 sec, 45 sec, 60 sec, 3 min, 20 min
- (4) Shut Off Delay Selections - 1 sec, 2 sec, 4 sec, 10 sec
- Auto Flush for 30 Seconds After Every 12 Inactive Hours - ON or OFF

Product Specifications:

Chrome Plated Brass Electronic Faucet: Wall Mount (Less Gooseneck and Aerator), AC/DC Control Module with Internal Flow Control Setting Switches, Temperature Control Mixing Valve, 18" Lg Hot & Cold Supply Stop Flexible Connector Hoses

Drawn KJG	Checked GEF	Approved JHB
Scale: NTS		Date: 06/29/12