



T&S BRASS AND BRONZE WORKS, INC.

2 Saddleback Cove / P.O. Box 1088
Travelers Rest, SC 29690

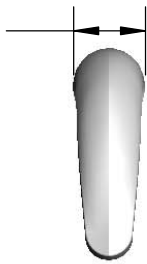
Model No.

EC-3102-LF22

Item No.

Travelers Rest, SC: 800-476-4103 • Simi Valley, CA: 800-423-0150 • Fax: 864-834-3518 • www.tsbrass.com

2 1/4"
[57mm]



ADA Compliant



This Space for Architect/Engineer Approval

Job Name _____ Date _____

Model Specified _____ Quantity _____

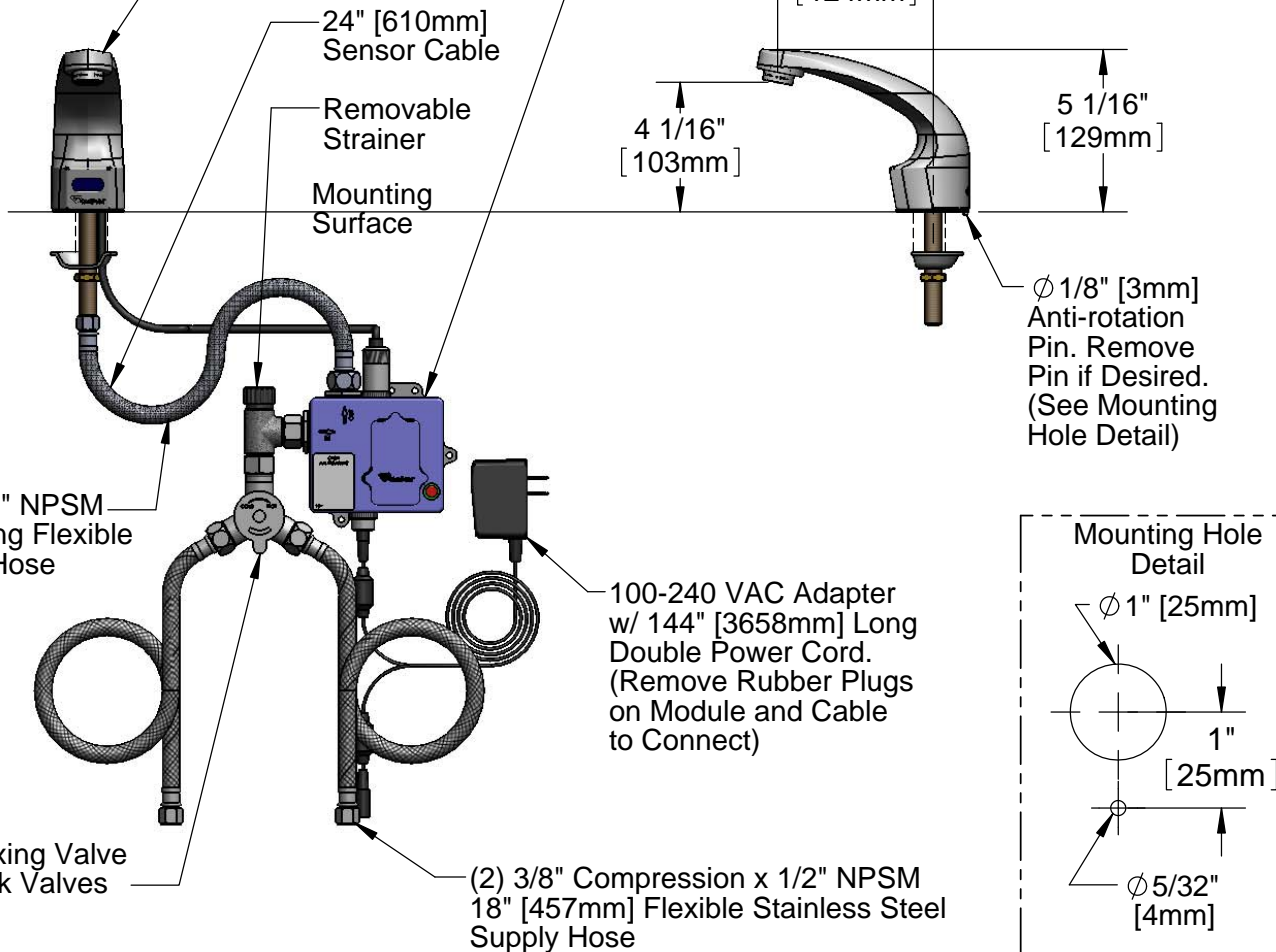
Customer/Wholesaler _____

Contractor _____

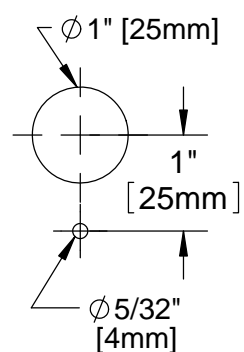
Architect/Engineer _____

Solid Cast Brass Spout w/
Polish Chrome Plated Finish
and 2.2 GPM Vandal Resistant
Aerator (Optional 2.2 GPM VR
Laminar Device Included)

3 5/8" x 4 3/16" x 2" Deep
[92mm x 106mm x 51mm]
Water Resistant Control Module Box (Blue)
w/ Internal Flow Control Setting Switches,
AC or DC Operated w/ (4) AA Batteries.
Hardwire Capable Using Terminals on Back



Mounting Hole Detail



Product Specifications:

Chrome Plated Brass Electronic Faucet: Single Hole Deck Mount Spout w/ VR Aerator, Opt. 2.2 GPM Laminar Flow Device, AC/DC Cont. Module with Internal Flow Cont. Setting Switches, Temperature Control Mixing Valve w/ Integral Check Valves 18" Lg. Hot & Cold Supply Stop Flex. Connector Hoses

Drawn

KJG

Checked

GEF

Approved

JHB

Scale:

1:6

Date:

06/29/12



T&S BRASS AND BRONZE WORKS, INC.

2 Saddleback Cove / P.O. Box 1088
Travelers Rest, SC 29690

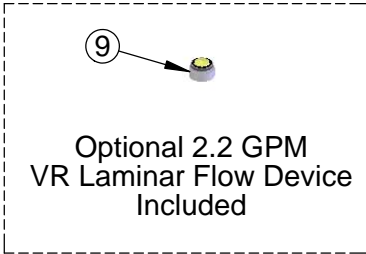
Model No.

EC-3102-LF22

Item No.

Travelers Rest, SC: 800-476-4103 • Simi Valley, CA: 800-423-0150 • Fax: 864-834-3518 • www.tsbrass.com

ITEM NO.	SALES NO.	DESCRIPTION
1	016355-45	VR 2.2 GPM Aerator, 13/16-27UN Male w/ Key
2	017195-45	Angled Sensor w/ Cable
3	016297-45	Inlet Hose, Faucet, 1/2" NPSM-F x 1/4" NPSM-F
4	016647-45	ChekPoint Module (Blue)
5	5EF-0002	Double Gang, Plug-in A/C Transformer
6	5EF-0006	Mechanical Mixing Valve
7	5EF-0005	Supply Hose, 9/16-24 Female x 1/2" NPSM
8	015425-45	Vandal Resistant Key
9	B-0199-28	VR Device, 2.2 GPM, Laminar Flow, 13/16-27UN Male
10	EC-FILTER	Replacement Filter



***Available Water Flow Control Selections:**

(6) Auto Time Out Selections - 10 sec, 25 sec, 45 sec, 60 sec, 3 min, 20 min

(4) Shut Off Delay Selections - 1 sec, 2 sec, 4 sec, 10 sec

Auto Flush for 30 Seconds After Every 12 Inactive Hours - ON or OFF

Product Specifications:

Chrome Plated Brass Electronic Faucet: Single Hole Deck Mount Spout w/ VR Aerator, Opt. 2.2 GPM Laminar Flow Device, AC/DC Cont. Module with Internal Flow Cont. Setting Switches, Temperature Control Mixing Valve w/ Integral Check Valves 18" Lg. Hot & Cold Supply Stop Flex. Connector Hoses

Drawn KJG	Checked GEF	Approved JHB
Scale: NTS		Date: 06/29/12