

# T&S BRASS AND BRONZE WORKS, INC.

2 Saddleback Cove / P.O. Box 1088  
Travelers Rest, SC 29690

Model No.

**EC-3103-LF22**

Item No.

Travelers Rest, SC: 800-476-4103 • Simi Valley, CA: 800-423-0150 • Fax: 864-834-3518 • www.tsbrass.com

This Space for Architect/Engineer Approval

Job Name \_\_\_\_\_ Date \_\_\_\_\_

Model Specified \_\_\_\_\_ Quantity \_\_\_\_\_

Customer/Wholesaler \_\_\_\_\_

Contractor \_\_\_\_\_

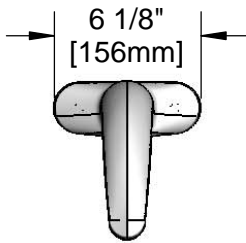
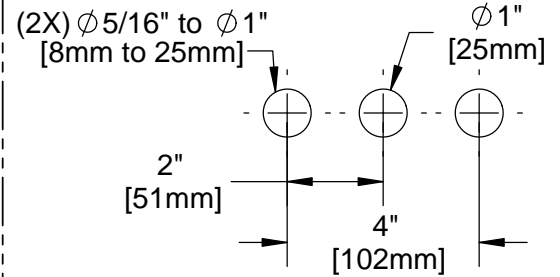
Architect/Engineer \_\_\_\_\_



**ADA Compliant**

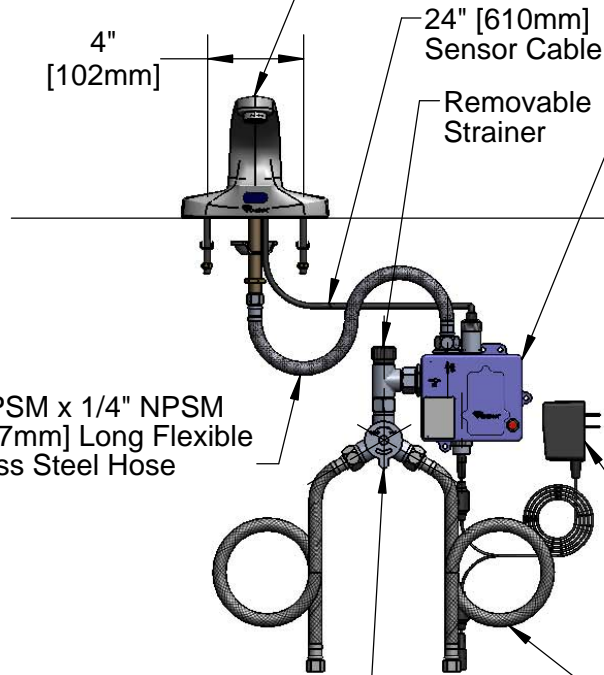


### Mounting Hole Detail

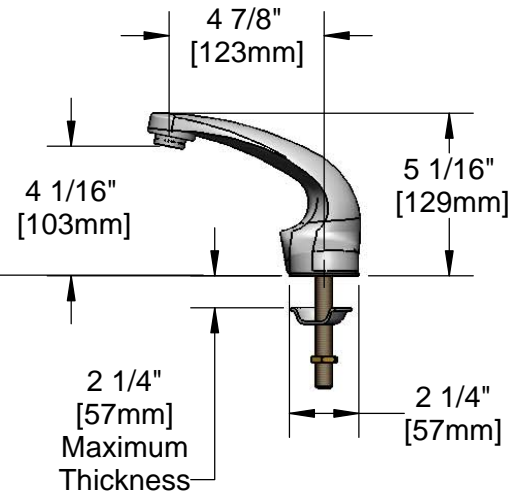


Solid Cast Brass Spout w/ Polish Chrome Plated Finish and 2.2 GPM Vandal Resistant Aerator. Optional 2.2 GPM VR Laminar Device (Included)

3 5/8" x 4 3/16" x 2" Deep [92mm x 106mm x 51mm] Water Resistant Control Module Box (Blue) w/ Internal Flow Control Setting Switches, AC or DC Operated w/ (4) AA Batteries. Hardwire Capable Using Terminals on Back



Mounting Surface



100-240 VAC Adapter w/ 144" [3658mm] Long Double Power Cord. (Remove Rubber Plugs on Module and Cable to Connect)

(2) 3/8" Compression x 1/2" NPSM 18" [457mm] Flexible Stainless Steel Supply Hose

**Product Specifications:**

Chrome Plated Brass Electronic Faucet: 4" Deck Mount Spout w/ VR Aerator, Optional 2.2 GPM Laminar Flow Device, AC/DC Control Module w/ Internal Flow Control Setting Switches, Temperature Control Mixing Valve w/ Integral Check Valves, 18" Lg. Hot & Cold Supply Stop Flex. Connector Hoses

Drawn

**KJG**

Checked

**GEF**

Approved

**JHB**

Scale:

**1:6**

Date:

**08/29/12**



# T&S BRASS AND BRONZE WORKS, INC.

2 Saddleback Cove / P.O. Box 1088  
Travelers Rest, SC 29690

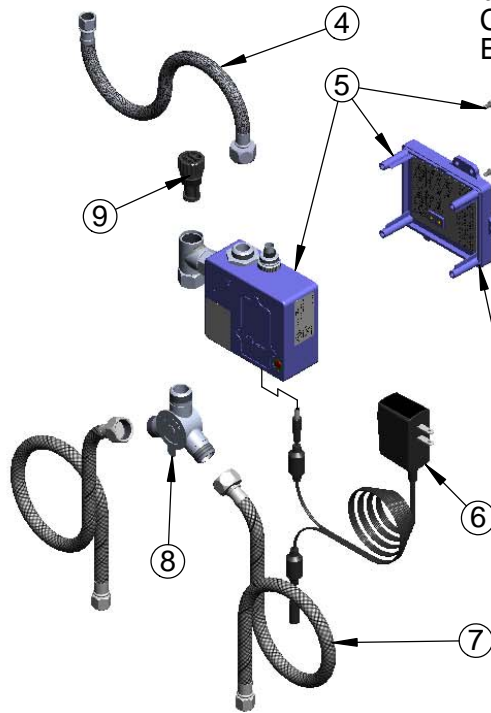
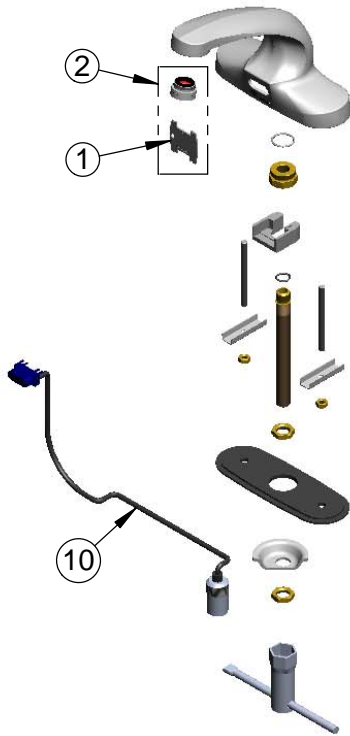
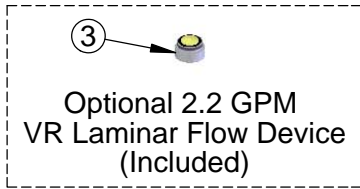
Model No.

**EC-3103-LF22**

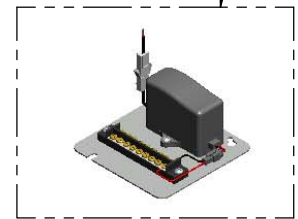
Item No.

Travelers Rest, SC: 800-476-4103 • Simi Valley, CA: 800-423-0150 • Fax: 864-834-3518 • www.tsbrass.com

ITEM NO.	SALES NO.	DESCRIPTION
1	015425-45	Vandal Resistant Key
2	016355-45	Aerator w/ Key, Vandal Resistant, 2.2 GPM, 13/16-27 Male
3	B-0199-28	VR Device, 2.2 GPM, Laminar Flow, 13/16-27
4	016297-45	Inlet Hose, Faucet, 1/2" NPSM-F x 1/4" NPSM-F
5	016647-45	ChekPoint Module (Blue)
6	5EF-0002	Double Gang, Plug-In A/C Transformer
7	5EF-0005	Supply Hose, 9/16-24 Female x 1/2" NPSM
8	5EF-0006	Mechanical Mixing Valve
9	EC-FILTER	Replacement Filter
10	017195-45	Angled Sensor w/ Cable



A Maximum of (8) ChekPoint Faucets Can be Hardwire Connected and Powered by ChekPoint Hardwire AC Transformer. EC-HARDWIRE (Sold Separately)



Label for Flow Control Switch Settings is Located on Inside of Back Cover.

Flow Control Switches are Located Inside Module Housing in Black Box Next to Battery Compartment.  
\*Switches are Set to DEFAULT Position:  
Auto Time Out = 10 seconds  
Shut Off Delay = 1 second  
Auto Flush = OFF

Remove (4) Screws and Back Cover to Access Switches.

**\*Available Water Flow Control Selections:**

(6) Auto Time Out Selections - 10 sec, 25 sec, 45 sec, 60 sec, 3 min, 20 min

(4) Shut Off Delay Selections - 1 sec, 2 sec, 4 sec, 10 sec

Auto Flush for 30 Seconds After Every 12 Inactive Hours - ON or OFF

**Product Specifications:**

Chrome Plated Brass Electronic Faucet: 4" Deck Mount Spout w/ VR Aerator, Optional 2.2 GPM Laminar Flow Device, AC/DC Control Module w/ Internal Flow Control Setting Switches, Temperature Control Mixing Valve w/ Integral Check Valves, 18" Lg. Hot & Cold Supply Stop Flex. Connector Hoses

Drawn

**KJG**

Checked

**GEF**

Approved

**JHB**

Scale:

**NTS**

Date:

**08/29/12**