



**T&S BRASS AND BRONZE WORKS, INC.**  
 2 Saddleback Cove / P.O. Box 1088  
 Travelers Rest, SC 29690

Model No.  
**EC-3122**

Item No.

Travelers Rest, SC: 800-476-4103 • Simi Valley, CA: 800-423-0150 • Fax: 864-834-3518 • www.tsbrass.com

This Space for Architect/Engineer Approval

Job Name \_\_\_\_\_ Date \_\_\_\_\_

Model Specified \_\_\_\_\_ Quantity \_\_\_\_\_

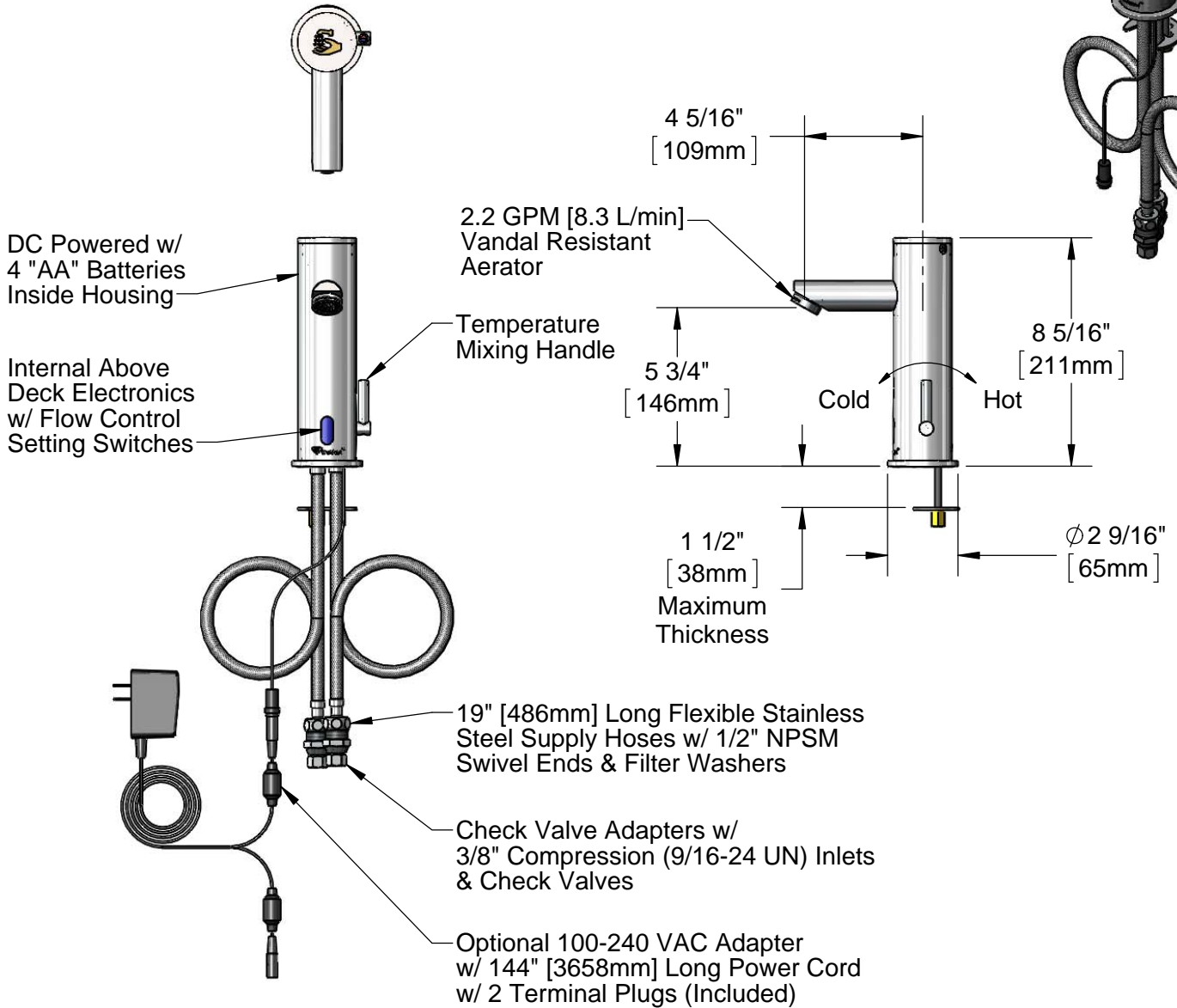
Customer/Wholesaler \_\_\_\_\_

Contractor \_\_\_\_\_

Architect/Engineer \_\_\_\_\_



**ADA Compliant**



Rough-In Requirement:  
 Ø 1 1/2" [38mm] Hole

Product Specifications:  
 Chrome Plated Brass Above Deck Electronics Faucet:  
 Single Hole Deck Mount, 2.2 GPM VR Aerator, Above Deck  
 Temperature Control, Battery or AC Adapter Powered, Stainless  
 Steel Flexible Supply Hoses & 3/8" Compression Inlets

Drawn <b>DMH</b>	Checked <b>JRM</b>	Approved <b>JHB</b>
Scale: <b>1:6</b>		Date: <b>10/29/13</b>



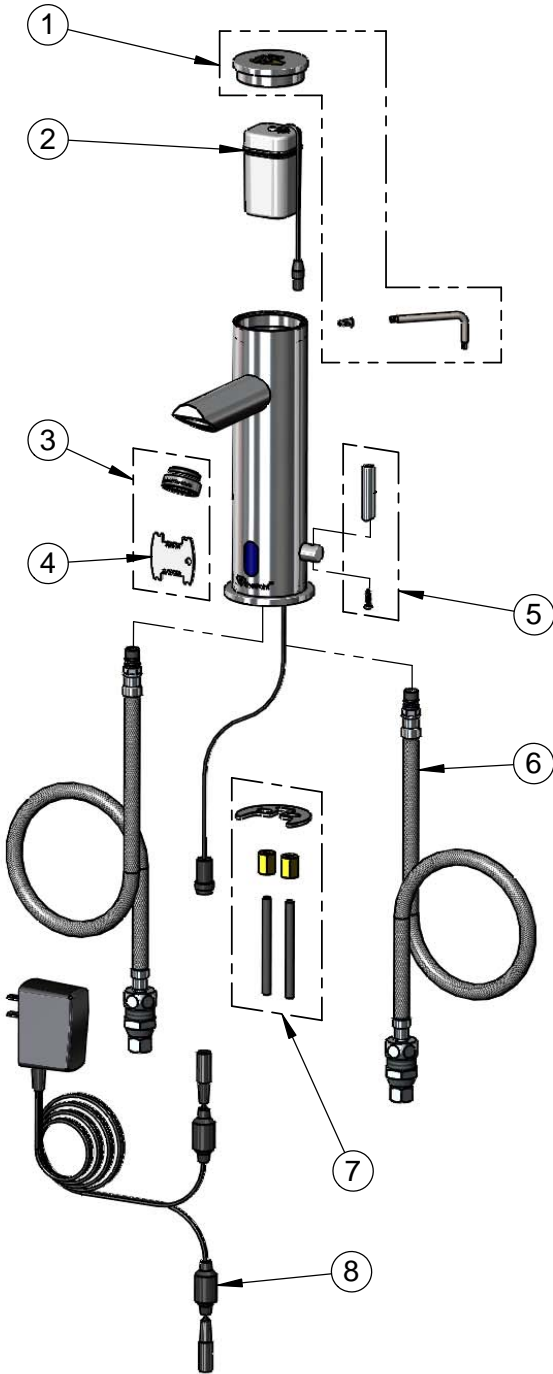
**T&S BRASS AND BRONZE WORKS, INC.**  
 2 Saddleback Cove / P.O. Box 1088  
 Travelers Rest, SC 29690

Model No.  
**EC-3122**

Item No.

Travelers Rest, SC: 800-476-4103 • Simi Valley, CA: 800-423-0150 • Fax: 864-834-3518 • www.tsbrass.com

ITEM NO.	SALES NO.	DESCRIPTION
1	018160-40	Cap, Screw & Wrench Kit
2	018227-45	Battery Holder
3	B-0199-09	2.2 GPM VR Aerator
4	015425-45	Vandal Resistant Key
5	018230-45	Lever Handle w/ Screw
6	018232-45	Flex Hose w/ Filter Washer & Check Valve Adapter Asm.
7	018233-45	Mounting Hardware Kit
8	5EF-0002	A/C Transformer



**Product Specifications:**

Chrome Plated Brass Above Deck Electronics Faucet:  
 Single Hole Deck Mount, 2.2 GPM VR Aerator, Above Deck  
 Temperature Control, Battery or AC Adapter Powered, Stainless  
 Steel Flexible Supply Hoses & 3/8" Compression Inlets

Drawn <b>DMH</b>	Checked <b>JRM</b>	Approved <b>JHB</b>
Scale: <b>NTS</b>		Date: <b>10/29/13</b>