



# T&S BRASS AND BRONZE WORKS, INC.

2 Saddleback Cove / P.O. Box 1088  
Travelers Rest, SC 29690

Model No.

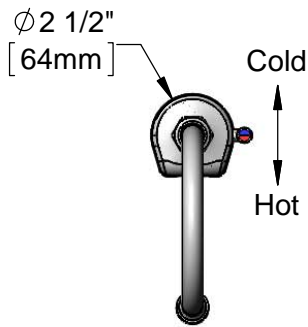
**EC-3130-VF05**

Item No.

Travelers Rest, SC: 800-476-4103 • Simi Valley, CA: 800-423-0150 • Fax: 864-834-3518 • www.tsbrass.com



**ADA Compliant**



This Space for Architect/Engineer Approval

Job Name \_\_\_\_\_ Date \_\_\_\_\_

Model Specified \_\_\_\_\_ Quantity \_\_\_\_\_

Customer/Wholesaler \_\_\_\_\_

Contractor \_\_\_\_\_

Architect/Engineer \_\_\_\_\_

2.2 GPM [8.3 L/min]  
Vandal Resistant Aerator.  
(Optional 0.5 GPM VR  
Non-Aerated Spray  
Device Included)

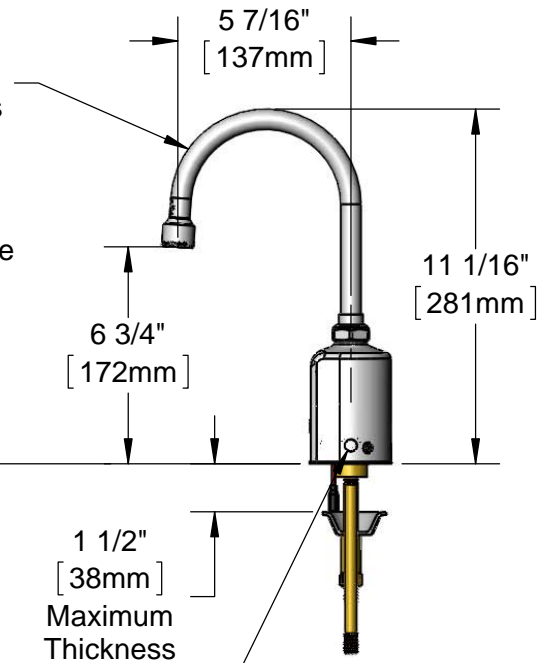
Swivel Gooseneck.  
Rigid Conversion Requires  
014200-45 Lock Washer  
(Included)

Internal Above Deck  
Electronics w/ Flow  
Control Setting Switches.  
Powered w/ 6 VDC  
Lithium Battery.

Temperature Mixing Handle  
w/ Color Coded Index  
(Optional Plug Included to  
Replace Handle When  
Temperature is Preset)

Removable  
Anti-Rotation Pin

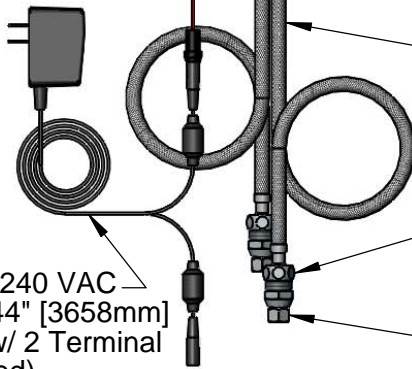
Mounting  
Surface



13/16"  
[21mm]

1 1/2"  
[38mm]  
Maximum  
Thickness

Shown w/ Optional  
Plug Installed When  
Water Temperature  
is Preset (Included)



19" [483mm] Flexible  
Stainless Steel Supply  
Hoses

1/2" NPSM Swivel Ends  
w/ Filter Washers

Check Valve Adapters  
w/ 3/8" Compression  
(9/16"-24 UN) Inlets

Optional 100-240 VAC  
Adapter w/ 144" [3658mm]  
Power Cord w/ 2 Terminal  
Plugs (Included)

Rough-In Requirement:

Ø 1 1/4" [32mm] Mounting Hole

Ø 3/16" [5mm] Anti-Rotation Pin Hole (Optional)

Product Specifications:

Chrome Plated Brass Above Deck Electronics Faucet, Single Hole Deck Mount, Swivel Gooseneck w/ VR Aerator, Optional 0.5 GPM VR Spray Device, Point-of-Use Temp. Control, Battery or AC Adapter Powered, Stainless Steel Flexible Supply Lines & 3/8" Comp. Inlets

Product Compliance:

ASME A112.18.1 / CSA B125.1  
NSF 61 - Section 9  
NSF 372 (Low Lead Content)  
ANSI A117.1 (ADA)  
UL 1951



# T&S BRASS AND BRONZE WORKS, INC.

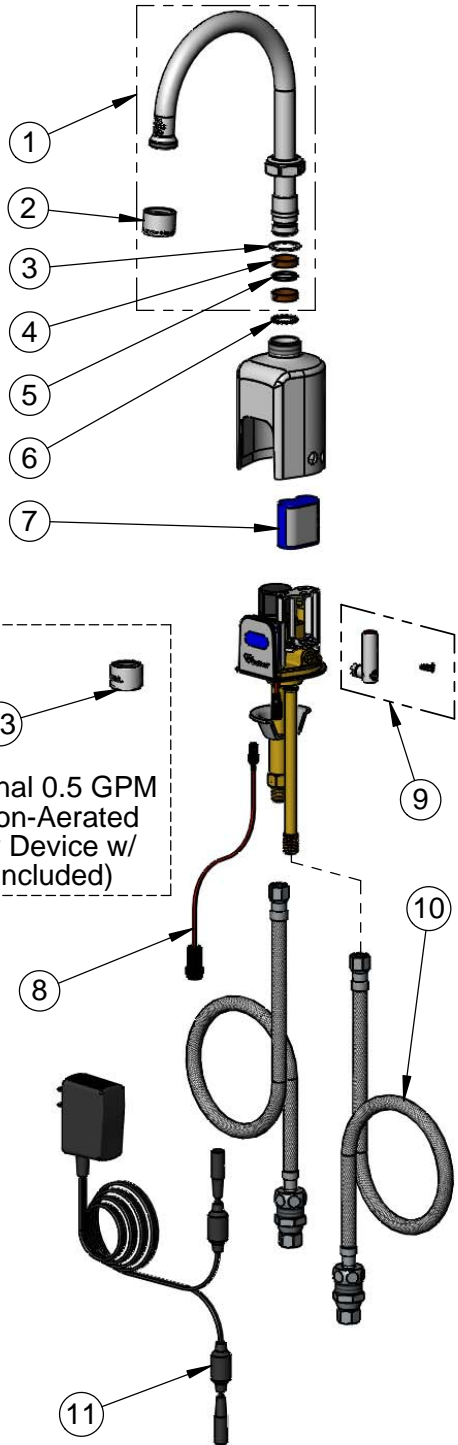
2 Saddleback Cove / P.O. Box 1088  
Travelers Rest, SC 29690

Model No.

**EC-3130-VF05**

Item No.

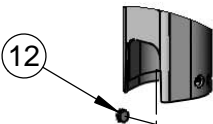
Travelers Rest, SC: 800-476-4103 • Simi Valley, CA: 800-423-0150 • Fax: 864-834-3518 • www.tsbrass.com



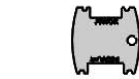
ITEM NO.	SALES NO.	DESCRIPTION
1	018490-40	Swivel Gooseneck w/ VR 2.2 GPM Aerator & Key
2	B-0199-06	VR 2/2 GPM Aerator, 55/64-27 Female w/ Key
3	009538-45	Swivel Washer
4	011429-45	Swivel Sleeves (2)
5	001074-45	O-Ring
6	014200-45	Star Washer, Anti-Rotation
7	019087-45	6VDC Lithium Battery, CR-P2
8	019088-45	Auxiliary Power Connector Cable
9	019082-45	Lever Asm & Body Screw Kit w/ L-Key
10	018544-45	SS Flex Hose w/ Check valve Adapter
11	5EF-0002	A/C Transformer
12	019086-45	Body Plug, Pre-Set Temperature
13	B-0199-06-N05	0.5 GPM VR Non-Aerated Spray Device

Optional 0.5 GPM VR Non-Aerated Spray Device w/ Key (Included)

A maximum of (8) ChekPoint faucets can be powered by EC-HARDWIRE ChekPoint Hardwire AC Transformer when connected using EC-ADEWIRE cables. (Both sold separately)



Optional Plug Replaces Lever Handle When Pre-setting Temperature (Installs from Inside of Body)



015425-45  
VR Aerator Key



018543-45  
Torx T-20 VR L-Key

Flow Control Switches are Located Behind the Sensor. Remove Battery to Access Switches.

\* Switches are set to DEFAULT position:

- Auto Time Out = 15 seconds
- Shut Off Delay = 1 second
- Auto Flush = OFF

\* Available Water Flow Control Selections:

- Auto Time Out: 15 sec, 30 sec, 45 sec, 60 sec, 3 min, 20 min
- Shut Off Delay: 1 sec, 10 sec, 15 sec, 30 sec
- Auto Flush (30 Seconds After Every 12 Inactive Hours): ON or OFF

**Product Specifications:**

Chrome Plated Brass Above Deck Electronics Faucet, Single Hole Deck Mount, Swivel Gooseneck w/ VR Aerator, Optional 0.5 GPM VR Spray Device, Point-of-Use Temp. Control, Battery or AC Adapter Powered, Stainless Steel Flexible Supply Lines & 3/8" Comp. Inlets

**Product Compliance:**

ASME A112.18.1 / CSA B125.1  
NSF 61 - Section 9  
NSF 372 (Low Lead Content)  
ANSI A117.1 (ADA)  
UL 1951