



T&S BRASS AND BRONZE WORKS, INC.

2 Saddleback Cove / P.O. Box 1088
Travelers Rest, SC 29690

Model No.

EC-3132-4DP

Item No.

Travelers Rest, SC: 800-476-4103 • Simi Valley, CA: 800-423-0150 • Fax: 864-834-3518 • www.tsbrass.com



ADA Compliant



This Space for Architect/Engineer Approval

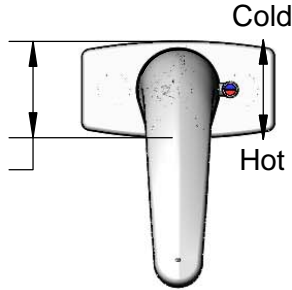
Job Name _____ Date _____

Model Specified _____ Quantity _____

Customer/Wholesaler _____

Contractor _____

Architect/Engineer _____



Internal Above Deck Electronics w/ Flow Control Setting Switches. Powered w/ 6 VDC Lithium Battery.

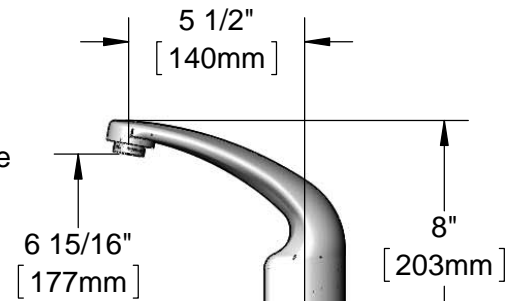
4" c/c Forged Brass Deck Plate

6" [152mm]

Cast Spout w/ 2.2 GPM [8.3 L/min] Vandal Resistant Aerator

Temperature Mixing Handle w/ Color Coded Index (Optional Plug Included to Replace Handle When Temperature is Preset)

Mounting Surface



1 3/16" [30mm] Maximum Thickness

Shown w/ Optional Plug Installed When Water Temperature is Preset (Included)

19" [483mm] Flexible Stainless Steel Supply Hoses

1/2" NPSM Swivel Ends w/ Filter Washers

Check Valve Adapters w/ 3/8" Compression (9/16"-24 UN) Inlets

Optional 100-240 VAC Adapter w/ 144" [3658mm] Power Cord w/ 2 Terminal Plugs (Included)

Rough-In Requirement:

Ø 1 1/4" [32mm] Center Hole
(2) Ø 1 1/8" [29mm] Side Holes @ 4" [102mm] c/c

Product Specifications:

Chrome Plated Brass Above Deck Electronics Faucet, Deck Mount, 4" c/c Deck Plate, Cast Spout w/ 2.2 GPM VR Aerator, Point-of-Use Temperature Control, Battery or AC Adapter Powered, Stainless Steel Flexible Supply Lines & 3/8" Compression Inlets

Product Compliance:

ASME A112.18.1 / CSA B125.1
NSF 61 - Section 9
NSF 372 (Low Lead Content)
ANSI A117.1 (ADA)
UL 1951



T&S BRASS AND BRONZE WORKS, INC.

2 Saddleback Cove / P.O. Box 1088
Travelers Rest, SC 29690

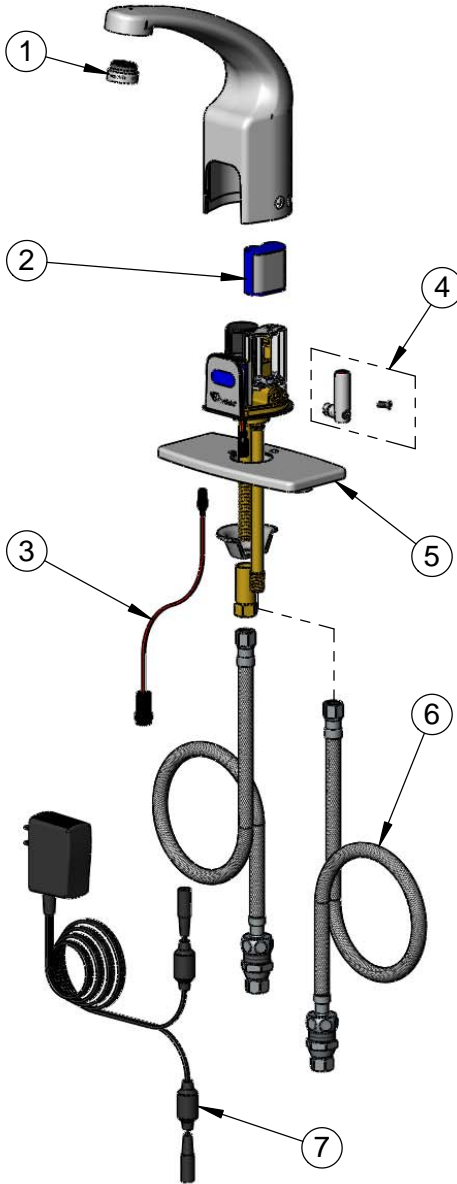
Model No.

EC-3132-4DP

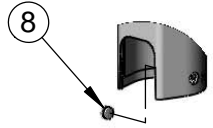
Item No.

Travelers Rest, SC: 800-476-4103 • Simi Valley, CA: 800-423-0150 • Fax: 864-834-3518 • www.tsbrass.com

ITEM NO.	SALES NO.	DESCRIPTION
1	016355-45	VR 2.2 GPM Aerator w/ Key
2	019087-45	6VDC Lithium Battery, CR-P2
3	019088-45	Auxiliary Power Connector Cable
4	019082-45	Lever Asm & Body Screw Kit w/ L-Key
5	013433-40	4" c/c Forged Deck Plate
6	018544-45	SS Flex Hose w/ Check Valve Adapter
7	5EF-0002	A/C Transformer
8	019086-45	Body Plug, Pre-Set Temperature



A maximum of (8) ChekPoint faucets can be powered by EC-HARDWIRE ChekPoint Hardwire AC Transformer when connected using EC-ADEWIRE cables. (Both sold separately)



Optional Plug Replaces Lever Handle When Pre-setting Temperature (Installs from Inside of Body)



015425-45
VR Aerator Key



018543-45
Torx T-20 VR L-Key

Flow Control Switches are Located Behind the Sensor. Remove Battery to Access Switches.

- * Switches are set to DEFAULT position:
 - Auto Time Out = 15 seconds
 - Shut Off Delay = 1 second
 - Auto Flush = OFF

- * Available Water Flow Control Selections:
 - Auto Time Out: 15 sec, 30 sec, 45 sec, 60 sec, 3 min, 20 min
 - Shut Off Delay: 1 sec, 10 sec, 15 sec, 30 sec
 - Auto Flush (30 Seconds After Every 12 Inactive Hours): ON or OFF

Product Specifications:
 Chrome Plated Brass Above Deck Electronics Faucet, Deck Mount, 4" c/c Deck Plate, Cast Spout w/ 2.2 GPM VR Aerator, Point-of-Use Temperature Control, Battery or AC Adapter Powered, Stainless Steel Flexible Supply Lines & 3/8" Compression Inlets

Product Compliance:
 ASME A112.18.1 / CSA B125.1
 NSF 61 - Section 9
 NSF 372 (Low Lead Content)
 ANSI A117.1 (ADA)
 UL 1951