



T&S BRASS AND BRONZE WORKS, INC.
 2 SADDLEBACK COVE / P.O. BOX 1088 / TRAVELERS REST, SC 29690
 PHONE 800-476-4103 - FAX 864- 834-3518



REG.#A2601
 ISO #9001

Sales No.

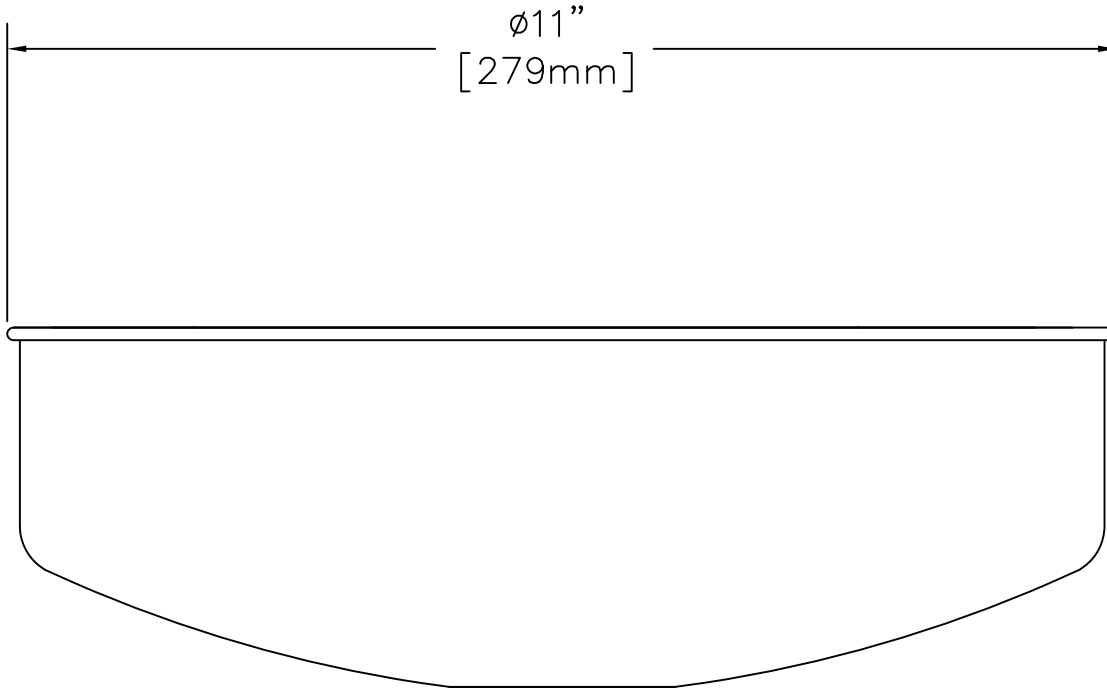
EW-SP90

RELIABILITY
 BUILT IN

Job Name:

Architect/Engineer Approval:

Notes:



NOTES:

1. MATERIAL: STAINLESS STEEL WITH POLISHED FINISH

Product Description:
 EYEWASH BOWL, STAINLESS STEEL

Drawn:

DMH

Checked

GEF

Scale:

1:2

Approved

JHB

Date:

12/20/10