



T&S BRASS AND BRONZE WORKS, INC.

2 SADDLEBACK COVE / P.O. BOX 1088 / TRAVELERS REST, SC 29690

PHONE 800-476-4103

FAX 864-834-3518



REG.#A2601
ISO #9002

Model No.

HG-2-PS SERIES

Item No.:

Job Name:

Architect/Engineer Approval:



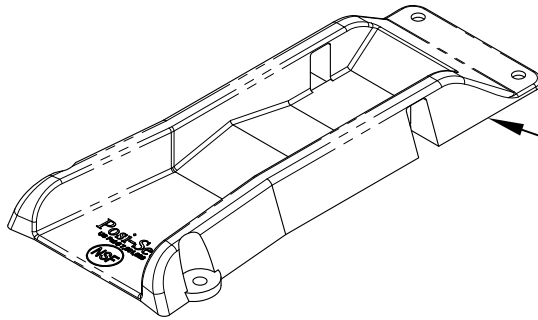
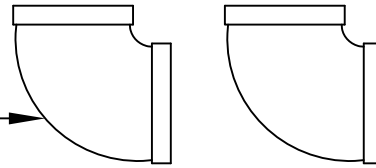
TO ORDER HG-2-PS SERIES: HG- - -PS

EX: HG- - -PS
GAS HOSE, 3/4" NPT MALE ENDS, 36" LENGTH



COATED GAS CONNECTOR
WITH NPT MALE ENDS

(2) 90 DEGREE FEMALE
NPT ELBOWS.



(2) POSI-SET APPLIANCE
LOCATING DEVICES
(INCLUDES MOUNTING HARDWARE)

"L" = LENGTH	1/2" NPT
36"	HG-2C-36-PS
48"	HG-2C-48-PS
60"	HG-2C-60-PS

"L" = LENGTH	3/4" NPT
24"	HG-2D-24-PS
36"	HG-2D-36-PS
48"	HG-2D-48-PS
60"	HG-2D-60-PS
72"	HG-2D-72-PS

"L" = LENGTH	1" NPT
36"	HG-2E-36-PS
48"	HG-2E-48-PS
60"	HG-2E-60-PS

Product Description:
SAFE-T-LINK GAS APPLIANCE CONNECTOR:
COATED HOSE, NPT MALE ENDS, FURNISHED WITH
(2) 90 DEGREE ELBOWS & POSI-SET LOCATING SYSTEM

Drawn:

DMH

Approved

JHB

Checked

KJG

Scale:

NTS

Date:

11/05/10