



**T&S BRASS AND BRONZE WORKS, INC.**  
 2 Saddleback Cove / P.O. Box 1088  
 Travelers Rest, SC 29690

Model No.  
**HG-4-SK-PS Series**

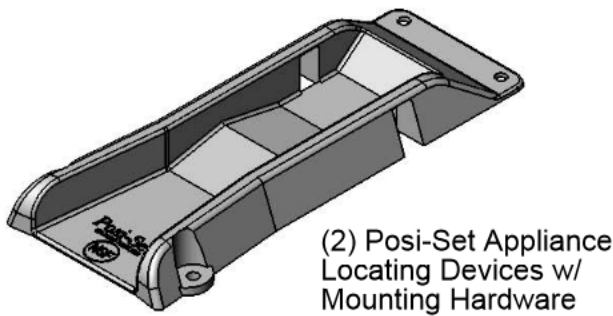
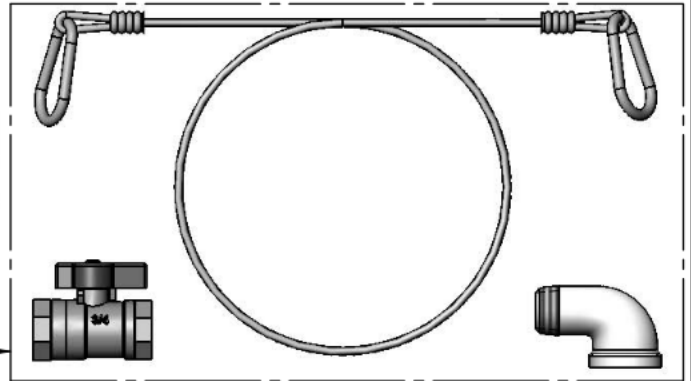
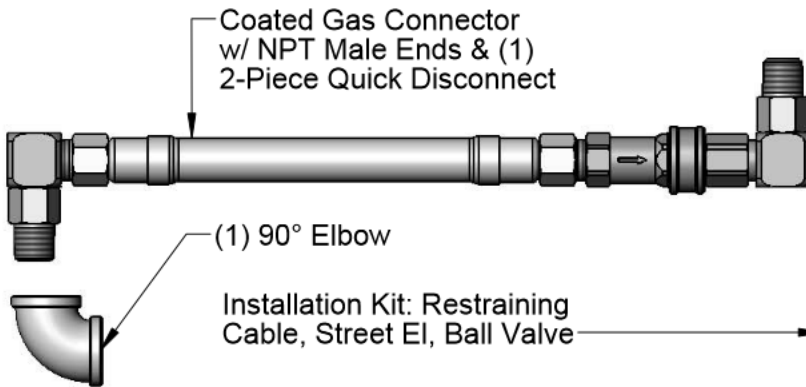
Item No.

Travelers Rest, SC: 800-476-4103 • Simi Valley, CA: 800-423-0150 • Fax: 864-834-3518 • www.tsbrass.com

This Space for Architect/Engineer Approval

Job Name \_\_\_\_\_ Date \_\_\_\_\_  
 Model Specified \_\_\_\_\_ Quantity \_\_\_\_\_  
 Customer/Wholesaler \_\_\_\_\_  
 Contractor \_\_\_\_\_  
 Architect/Engineer \_\_\_\_\_

# SAFE-T-LINK



"L" = Length	1/2" NPT
48"	HG-4C-48SK-PS

"L" = Length	3/4" NPT
36"	HG-4D-36SK-PS
48"	HG-4D-48SK-PS
60"	HG-4D-60SK-PS

"L" = Length	1" NPT
36"	HG-4E-36SK-PS
48"	HG-4E-48SK-PS

**HG-4-SK-PS Series Product Configurator: HG - 4  -  SK - PS**

Ex: HG - 4  -  SK-PS

Gas Hose, 3/4" NPT Male Ends, 36" Length, (1) 2-Piece Quick Disconnect, (2) Swivel Links, (1) 90° Elbow, (1) Installation Kit & (2) Posi-Set Appliance Locating Devices

Product Specifications:

Safe-T-Link Gas Appliance Connector:  
 Coated Hose w/ NPT Male Ends, Swivel Links, 2-Piece Quick Disconnect, 90° Elbow, Installation Kit & Posi-Set Appliance Devices

Drawn:	Checked:	Approved:
DHL	DMH	JHB
Scale:	Date:	
NTS	09/27/12	