



**T&S BRASS AND BRONZE WORKS, INC.**

2 SADDLEBACK COVE / P.O. BOX 1088 / TRAVELERS REST, SC 29690

PHONE 800-476-4103

FAX 864-834-3518



REG.#A2601  
ISO #9002

Model No.

HG-4D-48SEL-PS

Item No.:

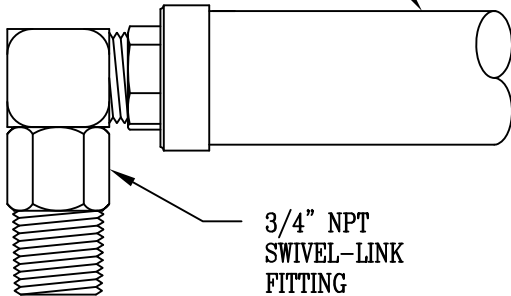
Job Name:

Architect/Engineer Approval:

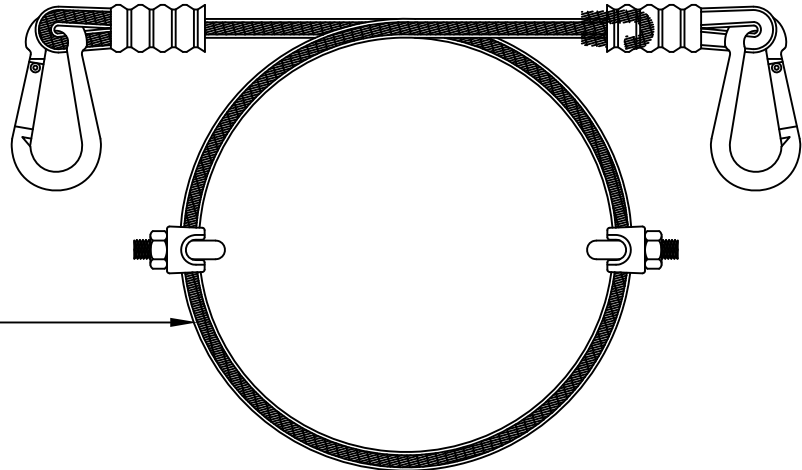
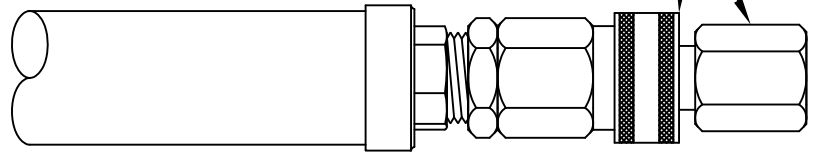


3/4" NPT x 48" COATED  
GAS APPLIANCE  
CONNECTOR

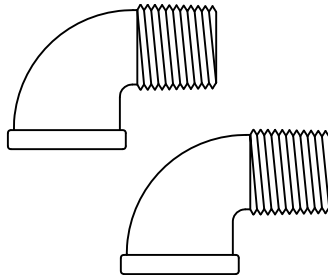
QUICK DISCONNECT  
ASSEMBLY



3/4" NPT  
SWIVEL-LINK  
FITTING

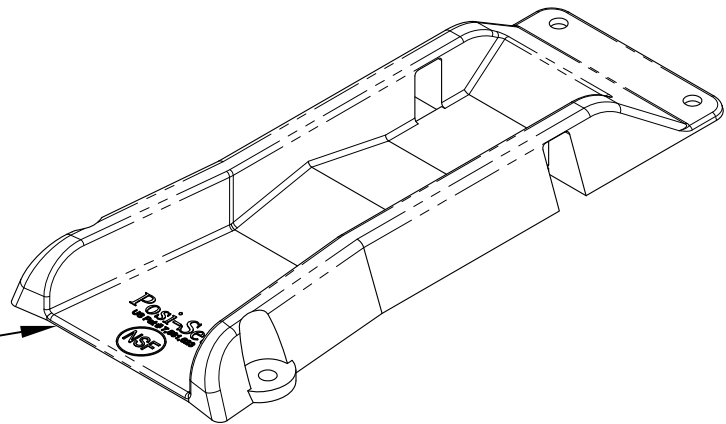


5 FT. ADJUSTABLE RESTRAINING CABLE



FURNISHED WITH (2) 3/4" NPT  
STREET ELs

(2) POSI-SET APPLIANCE  
LOCATING DEVICES  
(INCLUDES MOUNTING HARDWARE)



Product Description:

SAFE-T-LINK GAS APPLIANCE CONNECTOR:  
3/4" NPT x 48" COATED GAS CONNECTOR w/ (2) STREET  
ELs, RESTRAINING CABLE & POSI-SET LOCATING SYSTEM

Drawn:

DMH

Approved

JHB

Checked

KJG

Scale:

NTS

Date:

11/05/10