



T&S BRASS AND BRONZE WORKS, INC.

2 Saddleback Cove / P.O. Box 1088
Travelers Rest, SC 29690



REG. #A2601
ISO #9001

Model No.

MPY-2DCV-06-CR

Item No.

Travelers Rest, SC: 800-476-4103 Simi Valley, CA: 800-423-0150 Fax: 864-834-3518 www.tsbrass.com

This Space for Architect/Engineer Approval

Job Name _____ Date _____

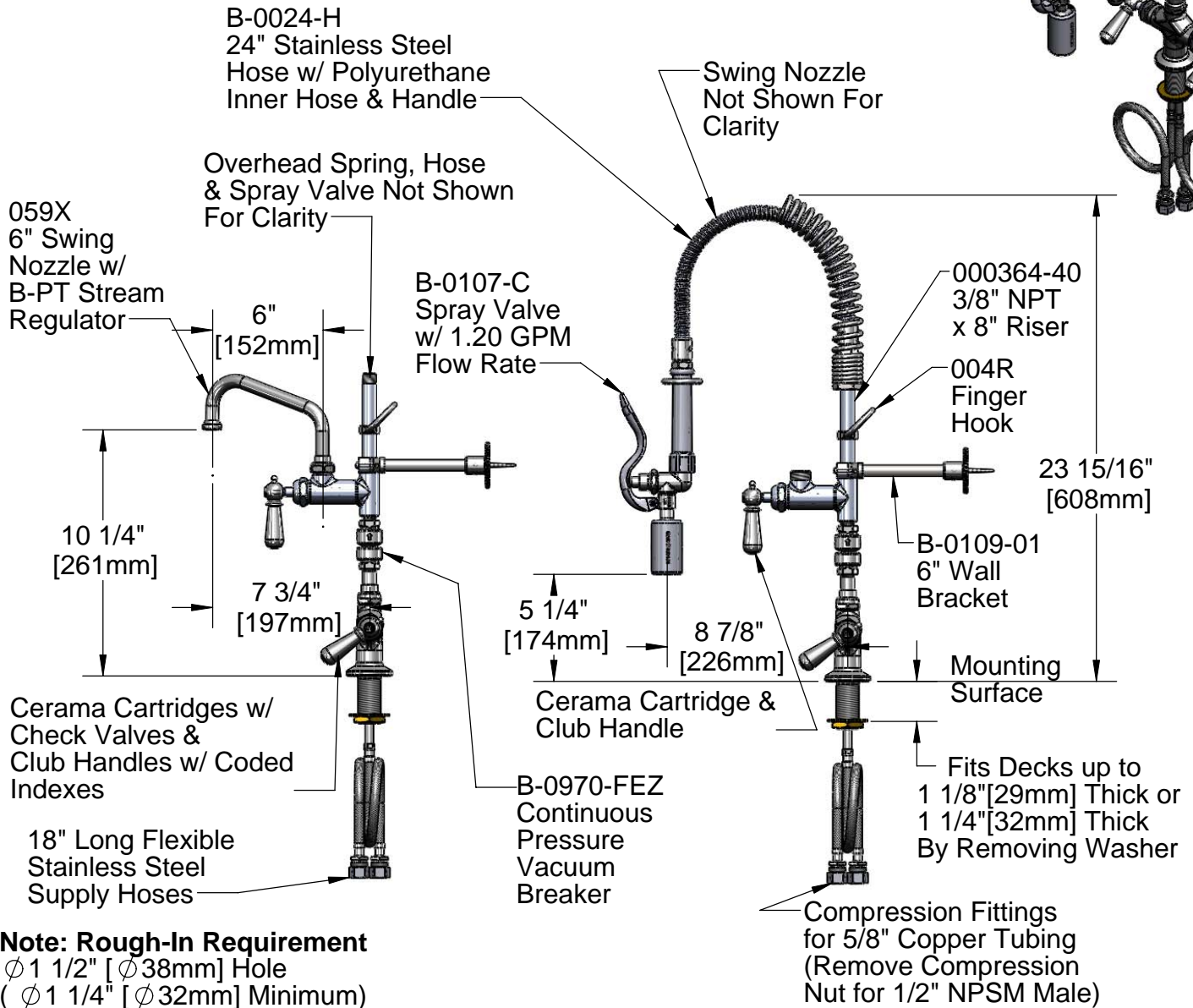
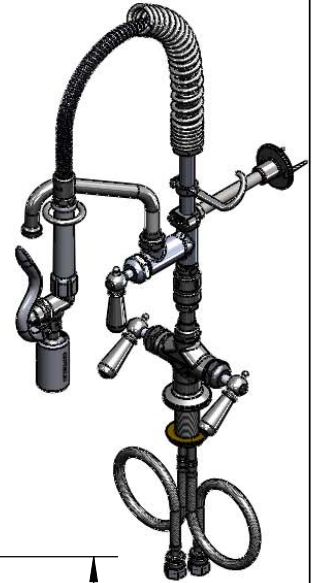
Model Specified _____ Quantity _____

Customer/Wholesaler _____

Contractor _____

Architect/Engineer _____

EPAct2005 Compliant
For Commercial Use Only



Product Specifications: Easy Install Pre-Rinse Unit: Single Deck Mount Base Mixing Faucet, Add-On Faucet, 6" Swing Nozzle, Compact Spring & Flex Hose, B-0107-C Spray Valve, 6" Wall Bracket, Club Handles, Vac. Breaker & Ceramas	Drawn JRM	Checked DMH	Approved JHB
	Scale: 1:8		Date: 10/01/09



T&S BRASS AND BRONZE WORKS, INC.

2 Saddleback Cove / P.O. Box 1088
Travelers Rest, SC 29690



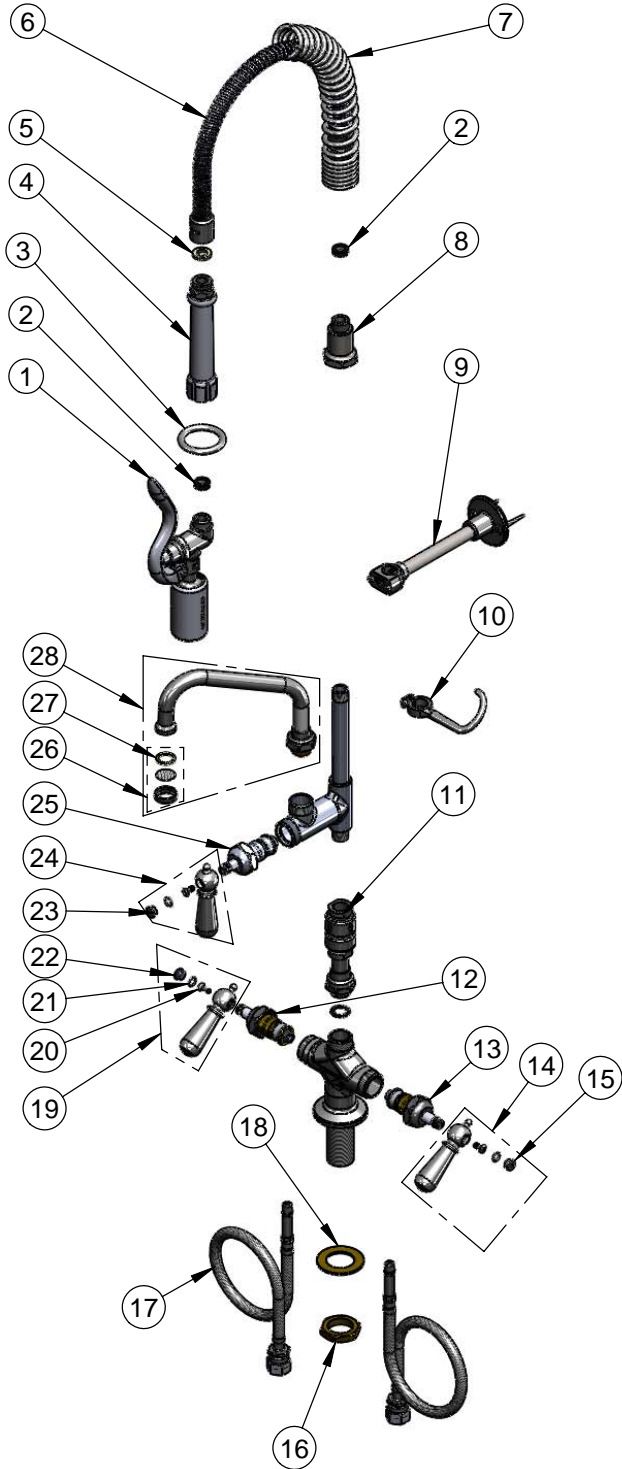
REG. #A2601
ISO #9001

Model No.

MPY-2DCV-06-CR

Item No.

Travelers Rest, SC: 800-476-4103 Simi Valley, CA: 800-423-0150 Fax: 864-834-3518 www.tsbrass.com



ITEM NO.	SALES NO.	DESCRIPTION
1	B-0107-C	1.20 GPM Spray Valve
2	010476-45	#27 Washer
3	000907-45	Spray Valve Hold Down Ring
4	002987-40	Grip Handle Assembly
5	001014-45	Washer, B-0100 Hose Barrel
6	B-0024-H2A	24" Flex Hose Less Handle
7	016795-45	Compact Spring
8	000821-40	Spring Body
9	B-0109-01	Bracket Assembly, 6" Wall
10	004R	Finger Hook Assembly
11	B-0970-FE	B-0970 FE Vacuum Breaker
12	012394-25	Ceramic Cartridge, RTC w/ Check Valve
13	012395-25	Ceramic Cartridge, LTC w/ Check Valve
14	009331-41	Decorative Handle Asm- Cold
15	009304-41	Decorative Cap Insert, Cold
16	000965-45	Lock Nut
17	012534-45	Flexible Connector Hose
18	002290-45	Lock Washer
19	009332-41	Decorative Handle Asm- Hot
20	000922-45	Lever Handle Screw
21	001066-45	O-Ring
22	009303-41	Decorative Cap Insert, Hot
23	009285-41	Cap Insert, Blank
24	017181-41	Decorative Handle Asm- Blank
25	011278-25	Ceramic Cartridge RTC
26	B-PT	Stream Regulator Outlet
27	001048-45	Nozzle Tip Washer
28	059X	6" Swing Nozzle

Product Specifications:

Easy Install Pre-Rinse Unit: Single Deck Mount Base
Mixing Faucet, Add-On Faucet, 6" Swing Nozzle,
Compact Spring & Flex Hose, B-0107-C Spray Valve,
6" Wall Bracket, Club Handles, Vac. Breaker & Ceramas

Drawn	Checked	Approved
JRM	DMH	JHB
Scale:		Date:
NTS		10/01/09