



# T&S BRASS AND BRONZE WORKS, INC.

2 Saddleback Cove / P.O. Box 1088  
Travelers Rest, SC 29690



REG. #A2601  
ISO #9001

Model No.  
MPY-8DCN-12-CR

Item No.

Travelers Rest, SC: 800-476-4103 Simi Valley, CA: 800-423-0150 Fax: 864-834-3518 www.tsbrass.com

This Space for Architect/Engineer Approval

Job Name \_\_\_\_\_ Date \_\_\_\_\_

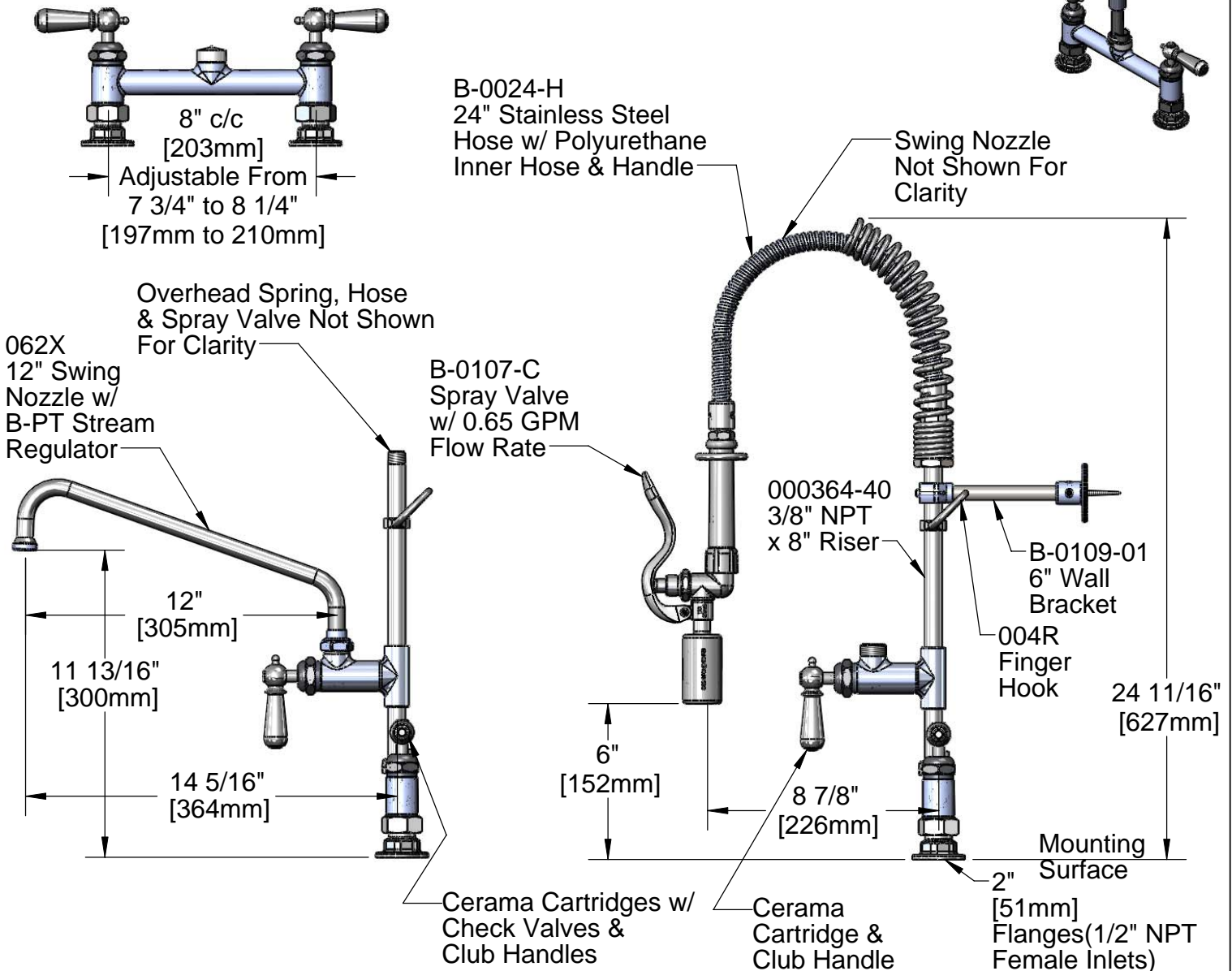
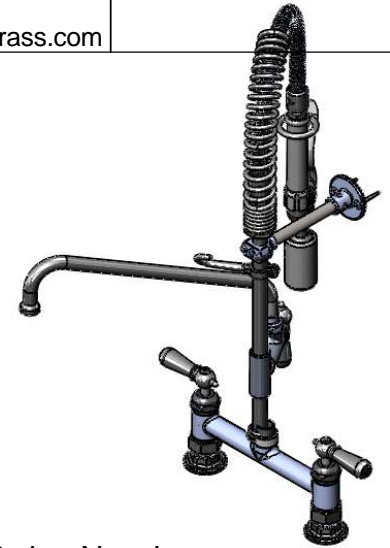
Model Specified \_\_\_\_\_ Quantity \_\_\_\_\_

Customer/Wholesaler \_\_\_\_\_

Contractor \_\_\_\_\_

Architect/Engineer \_\_\_\_\_

EPA Act 2005 Compliant  
For Commercial Use Only



Product Specifications:  
Easy Install Pre-Rinse Unit:  
8" Deck Mount Mixing Faucet, Add-On Faucet,  
12" Swing Nozzle, Compact Spring & Flex Hose, B-0107-C  
Spray Valve, 6" Wall Bracket, Ceramas & Club Handles

Drawn JRM	Checked DMH	Approved JHB
Scale: NTS		Date: 11/09/09



# T&S BRASS AND BRONZE WORKS, INC.

2 Saddleback Cove / P.O. Box 1088  
Travelers Rest, SC 29690



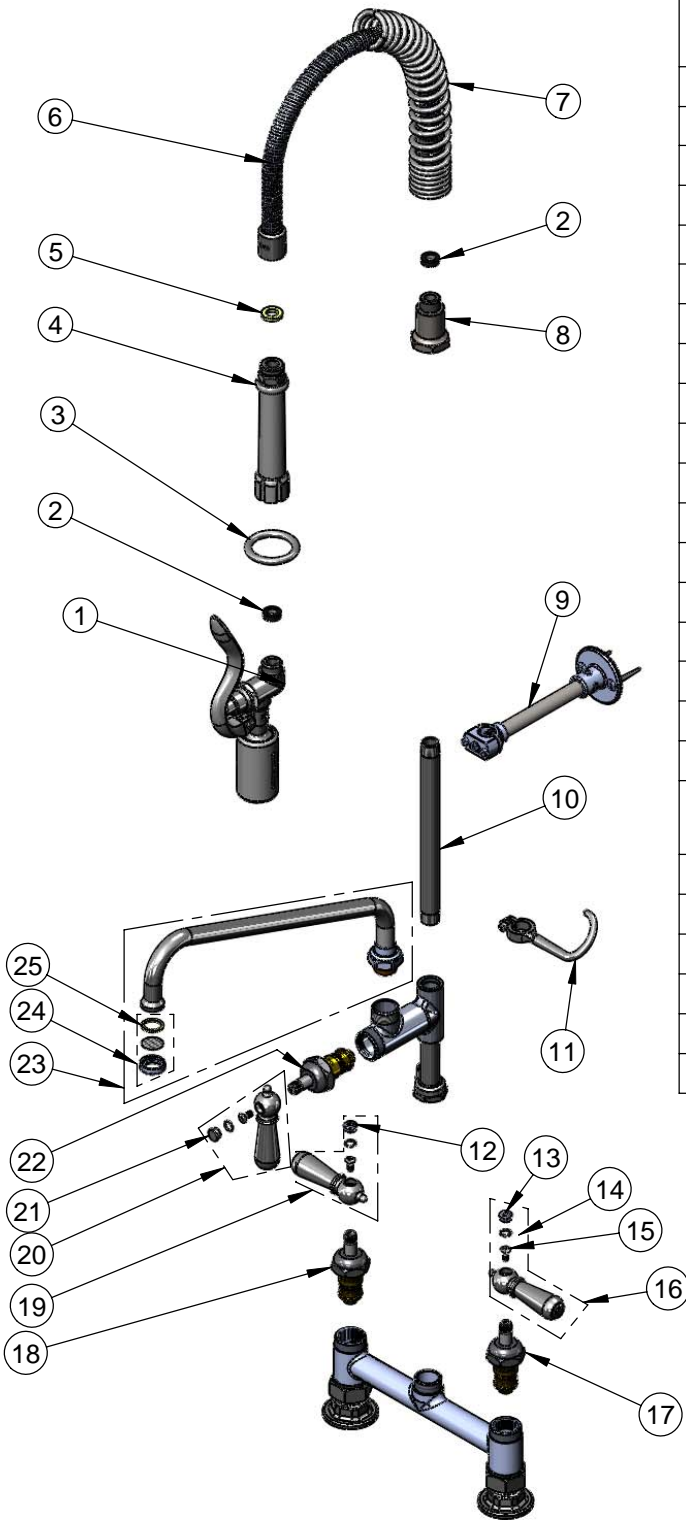
REG. #A2601  
ISO #9001

Model No.

**MPY-8DCN-12-CR**

Item No.

Travelers Rest, SC: 800-476-4103 Simi Valley, CA: 800-423-0150 Fax: 864-834-3518 www.tsbrass.com



ITEM NO.	SALES NO.	DESCRIPTION
1	B-0107-C	0.65 GPM Spray Valve
2	010476-45	#27 Washer
3	000907-45	Spray Valve Hold Down Ring
4	002987-40	Grip Handle Assembly
5	001014-45	Washer, B-0100 Hose Barrel
6	B-0024-H2A	24" Flex Hose Less Handle
7	016795-45	Compact Spring
8	000821-40	Spring Body
9	B-0109-01	Bracket Assembly, 6" Wall
10	078X	3/8" x 8" Riser
11	004R	Finger Hook Assembly
12	009303-41	Decorative Cap Insert, Hot
13	009304-41	Decorative Cap Insert, Cold
14	001066-45	O-Ring
15	000922-45	Lever Handle Screw
16	009331-41	Decorative Club Asm, Cold
17	012395-25	Ceramic Cartridge, LTC w/ CV
18	012394-25	Ceramic Cartridge, RTC w/ CV
19	009332-41	Decorative Lever handle Asm, Hot
20	017181-41	Decorative Club Asm, Blank
21	009285-40	Cap Insert Blank
22	011278-25	Ceramic Cartridge RTC
23	062X	12" Swing Nozzle
24	B-PT	Stream Regulator Outlet
25	001048-45	Nozzle Tip Washer

**Product Specifications:**

Easy Install Pre-Rinse Unit:  
8" Deck Mount Mixing Faucet, Add-On Faucet,  
12" Swing Nozzle, Compact Spring & Flex Hose, B-0107-C  
Spray Valve, 6" Wall Bracket, Ceramas & Club Handles

Drawn	Checked	Approved
<b>JRM</b>	<b>DMH</b>	<b>JHB</b>
Scale:		Date:
<b>NTS</b>		<b>11/09/09</b>