



**T&S BRASS AND BRONZE WORKS, INC.**

2 Saddleback Cove / P.O. Box 1088  
Travelers Rest, SC 29690



REG. #A2601  
ISO #9001

Model No.  
MPY-8DLN-06

Item No.

Travelers Rest, SC: 800-476-4103 Simi Valley, CA: 800-423-0150 Fax: 864-834-3518 www.tsbrass.com

This Space for Architect/Engineer Approval

Job Name \_\_\_\_\_ Date \_\_\_\_\_

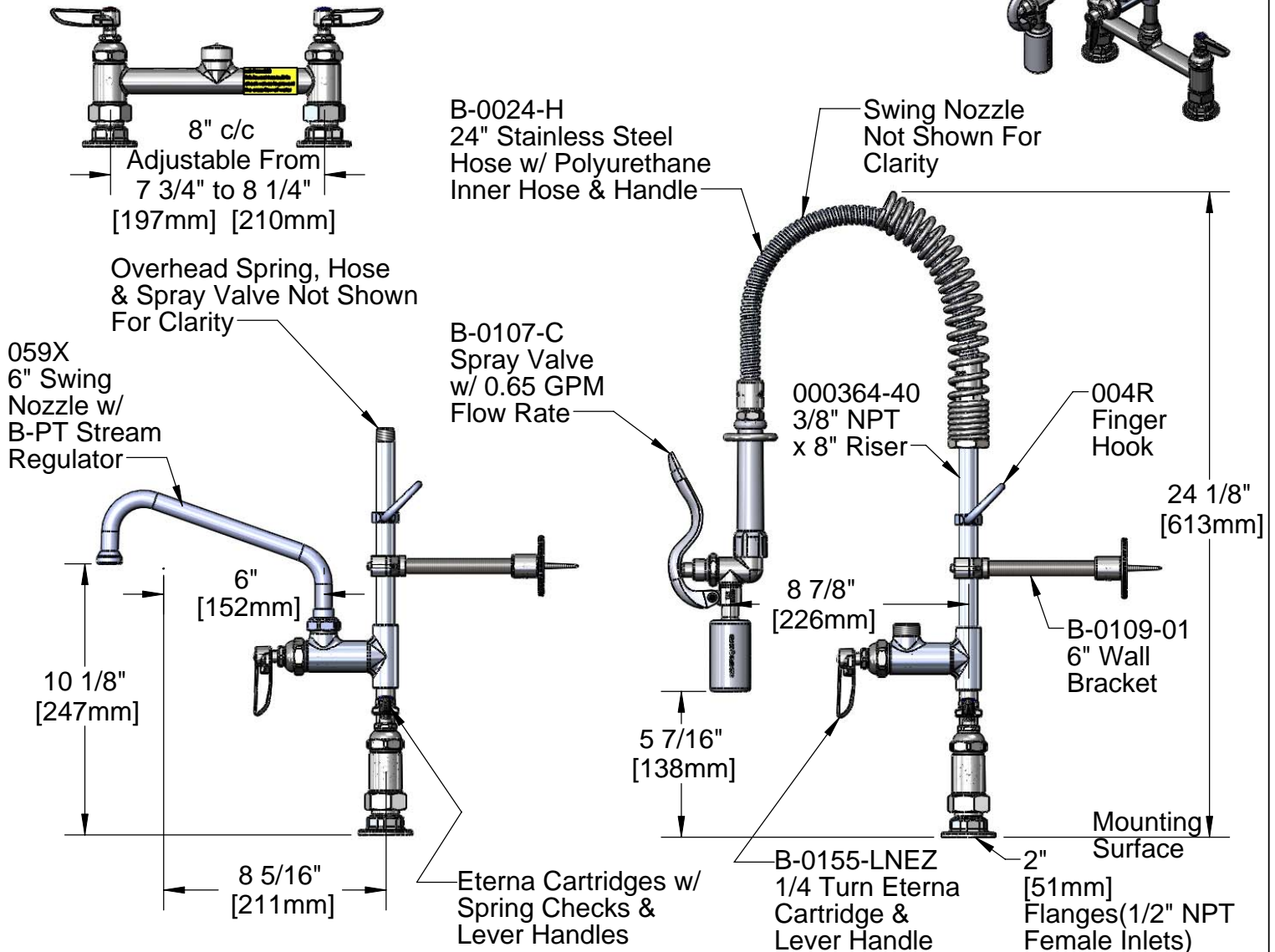
Model Specified \_\_\_\_\_ Quantity \_\_\_\_\_

Customer/Wholesaler \_\_\_\_\_

Contractor \_\_\_\_\_

Architect/Engineer \_\_\_\_\_

EPAAct2005 Compliant  
For Commercial Use Only



Product Specifications:  
Easy Install Pre-Rinse Unit:  
8" Deck Mount Mixing Faucet, Add-On Faucet w/  
6" Swing Nozzle, Compact Spring & Flex Hose, B-0107-C  
Spray Valve, 6" Wall Bracket & Lever Handles

Drawn JRM	Checked DHL	Approved JHB
Scale: NTS		Date: 01/06/10



# T&S BRASS AND BRONZE WORKS, INC.

2 Saddleback Cove / P.O. Box 1088  
Travelers Rest, SC 29690



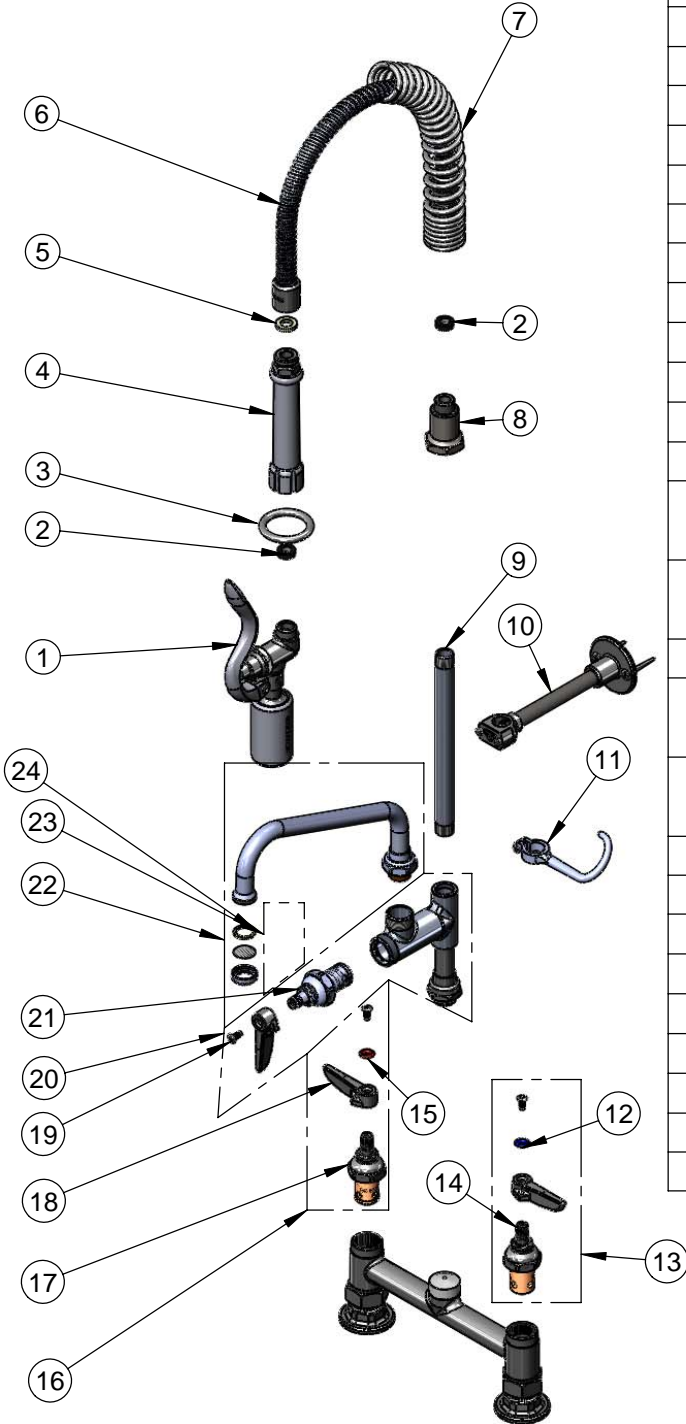
REG. #A2601  
ISO #9001

Model No.

**MPY-8DLN-06**

Item No.

Travelers Rest, SC: 800-476-4103 Simi Valley, CA: 800-423-0150 Fax: 864-834-3518 www.tsbrass.com



ITEM NO.	SALES NO.	DESCRIPTION
1	B-0107-C	0.65 GPM Low Flow Spray Valve
2	010476-45	#27 Washer
3	000907-45	Spray Valve Hold Down Ring
4	002987-40	Grip Handle Assembly
5	001014-45	Washer, B-0100 Hose Barrel
6	B-0024-H2A	24" Flex Hose Less handle
7	016795-45	Compact Spring
8	000821-40	Spring Body
9	078X	8" Riser
10	B-0109-01	Bracket Assembly, 6" Wall
11	004R	Finger Hook
12	001660-45	Blue Index-CW
13	002711-40	Cold Eterna Spindle Asm w/ SC, Handle, Screw & Index
14	012442-40	Cold Eterna Spindle Assembly w/ Spring Check
15	001661-45	Red Index-HW
16	002712-40	Hot Eterna Spindle Asm w/ SC, Handle, Screw & Index
17	012443-40	Hot Eterna Spindle Assembly w/ Spring Check
18	001638-45	Lever Handle
19	000922-45	Lever Handle Screw
20	B-0155-LNEZ	Add-On 1/4 Turn Faucet
21	007947-40	Quarter Turn Spindle Assembly
22	059X	6" Swing Nozzle
23	B-PT	Stream Regulator Outlet
24	001048-45	Nozzle Tip Washer
72	000293-40	6" Nozzle
73	011429-45	Swivel Sleeves (2)

Product Specifications:

**Easy Install Pre-Rinse Unit:**  
8" Deck Mount Mixing Faucet, Add-On Faucet w/  
6" Swing Nozzle, Compact Spring & Flex Hose, B-0107-C  
Spray Valve, 6" Wall Bracket & Lever Handles

Drawn <b>JRM</b>	Checked <b>DHL</b>	Approved <b>JHB</b>
Scale: <b>NTS</b>		Date: <b>01/06/10</b>