



T&S BRASS AND BRONZE WORKS, INC.

2 Saddleback Cove / P.O. Box 1088
Travelers Rest, SC 29690



REG. #A2601
ISO #9001

Model No.
MPY-8DWN-08-CR

Item No.

Travelers Rest, SC: 800-476-4103 • Simi Valley, CA: 800-423-0150 • Fax: 864-834-3518 • www.tsbrass.com

This Space for Architect/Engineer Approval

Job Name _____ Date _____

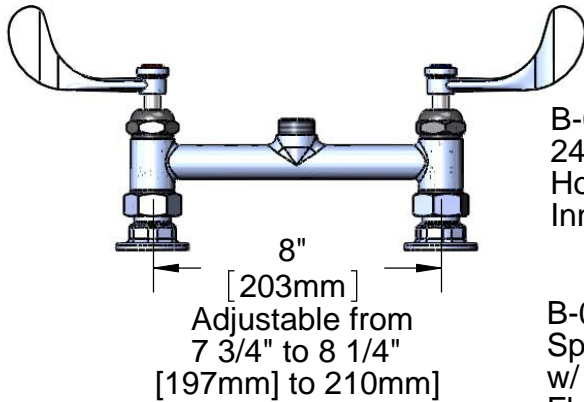
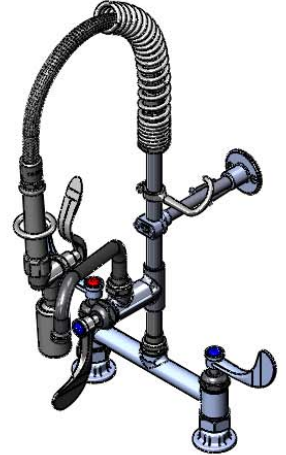
Model Specified _____ Quantity _____

Customer/Wholesaler _____

Contractor _____

Architect/Engineer _____

EPAAct2005 Compliant
For Commercial Use Only



B-0024-H
24" Stainless Steel
Hose w/ Polyurethane
Inner Hose & Handle

Swing Nozzle
Not Shown For
Clarity

B-0107-C
Spray Valve
w/ 0.65 GPM
Flow Rate

060X
8" Swing
Nozzle w/
B-PT Stream
Regulator

Overhead Spring,
Hose & Spray Valve
Not Shown For Clarity

004R
Finger
Hook

Cerama w/
Check Valves
& Wrist Handles
w/ Color Coded
Indexes

Cerama &
Wrist Handle

3/8" NPT
x 8" Riser

24 1/2"
[622mm]

B-0109-01
6" Wall
Bracket

10 5/16"
[262mm]

6 1/2"
[165mm]

8" [203mm]

10 5/16"
[262mm]

6 9/16"
[166mm]

Mounting
Surface

2" [51mm]
Flanges
(1/2" NPT
Female Inlets)

Product Specifications:
Easy Install Pre-Rinse Unit:
8" Deck Mount Mixing Faucet, Add-On Faucet w/ 8" Swing
Nozzle, Compact Spring & Flex Hose, B-0107-C Spray
Valve, 6" Wall Bracket, Ceramas & Wrist Handles

Drawn JRM	Checked DMH	Approved JHB
Scale: 1:6		Date: 04/01/11



T&S BRASS AND BRONZE WORKS, INC.

2 Saddleback Cove / P.O. Box 1088
Travelers Rest, SC 29690

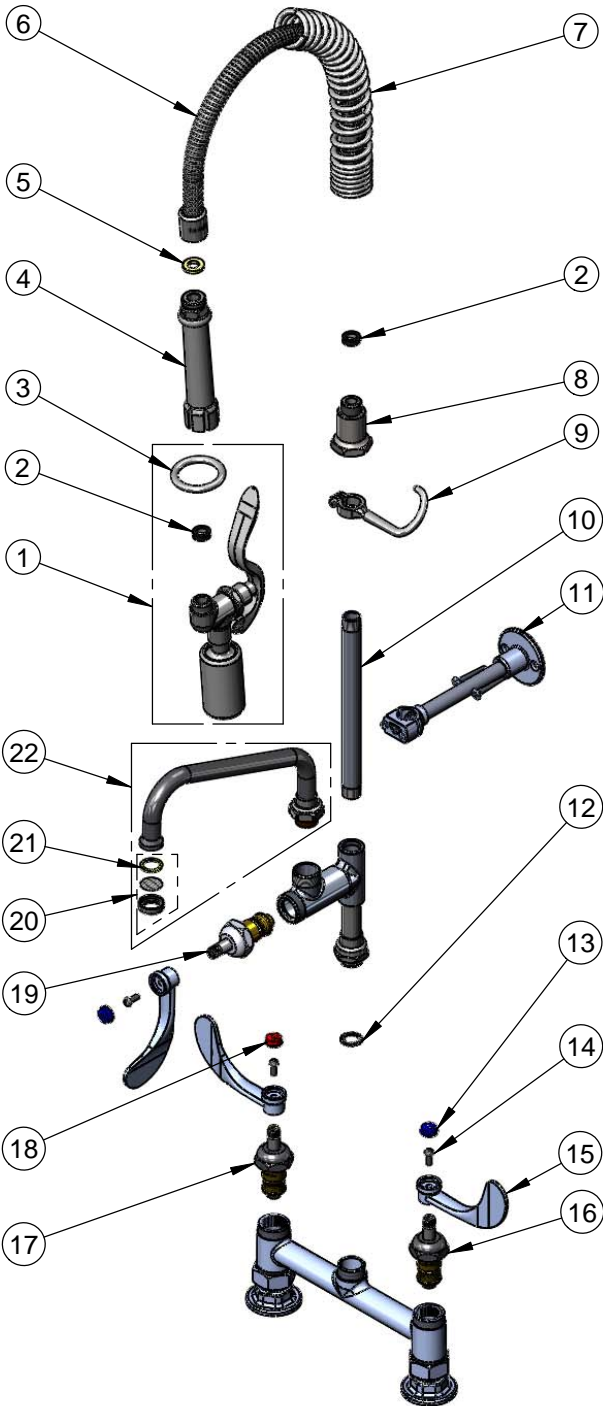


REG. #A2601
ISO #9001

Model No.
MPY-8DWN-08-CR

Item No.

Travelers Rest, SC: 800-476-4103 • Simi Valley, CA: 800-423-0150 • Fax: 864-834-3518 • www.tsbrass.com



ITEM NO.	SALES NO.	DESCRIPTION
1	B-0107-C	0.65 GPM Low Flow Spray Valve
2	010476-45	#27 Washer
3	000907-45	Spray Valve Hold Down Ring
4	002987-40	Grip Handle Assembly
5	001014-45	Washer, B-0100 Hose Barrel
6	B-0024-H2A	24" Flex Hose Less Handle
7	016795-45	Compact Spring
8	000821-40	Spring Body
9	004R	Finger Hook Assembly
10	078X	8" Riser
11	B-0109-01	Bracket Assembly, 6" Wall
12	014200-45	SS Lock Washer for EasyInstall
13	001686-45	Blue CW Index
14	000925-45	Lab Handle Screw
15	B-WH4	4" Wrist Action Handle
16	012395-25	Cerama, LTC w/Check Valve
17	012394-25	Cerama, RTC w/Check Valve
18	001194-45	Red HW Index
19	011278-25	Cerama, RTC
20	B-PT	Stream Regulator Outlet
21	001048-45	Nozzle Tip Washer
22	060X	8" Swing Nozzle

Product Specifications:

Easy Install Pre-Rinse Unit:
8" Deck Mount Mixing Faucet, Add-On Faucet w/ 8" Swing Nozzle, Compact Spring & Flex Hose, B-0107-C Spray Valve, 6" Wall Bracket, Ceramas & Wrist Handles

Drawn	Checked	Approved
JRM	DMH	JHB
Scale:		Date:
NTS		04/01/11