



T&S BRASS AND BRONZE WORKS, INC.

2 Saddleback Cove / P.O. Box 1088
Travelers Rest, SC 29690



REG. #A2601
ISO #9001

Model No.
MPY-8WLN-12-4C

Item No.

Travelers Rest, SC: 800-476-4103 Simi Valley, CA: 800-423-0150 Fax: 864-834-3518 www.tsbrass.com

This Space for Architect/Engineer Approval

Job Name _____ Date _____

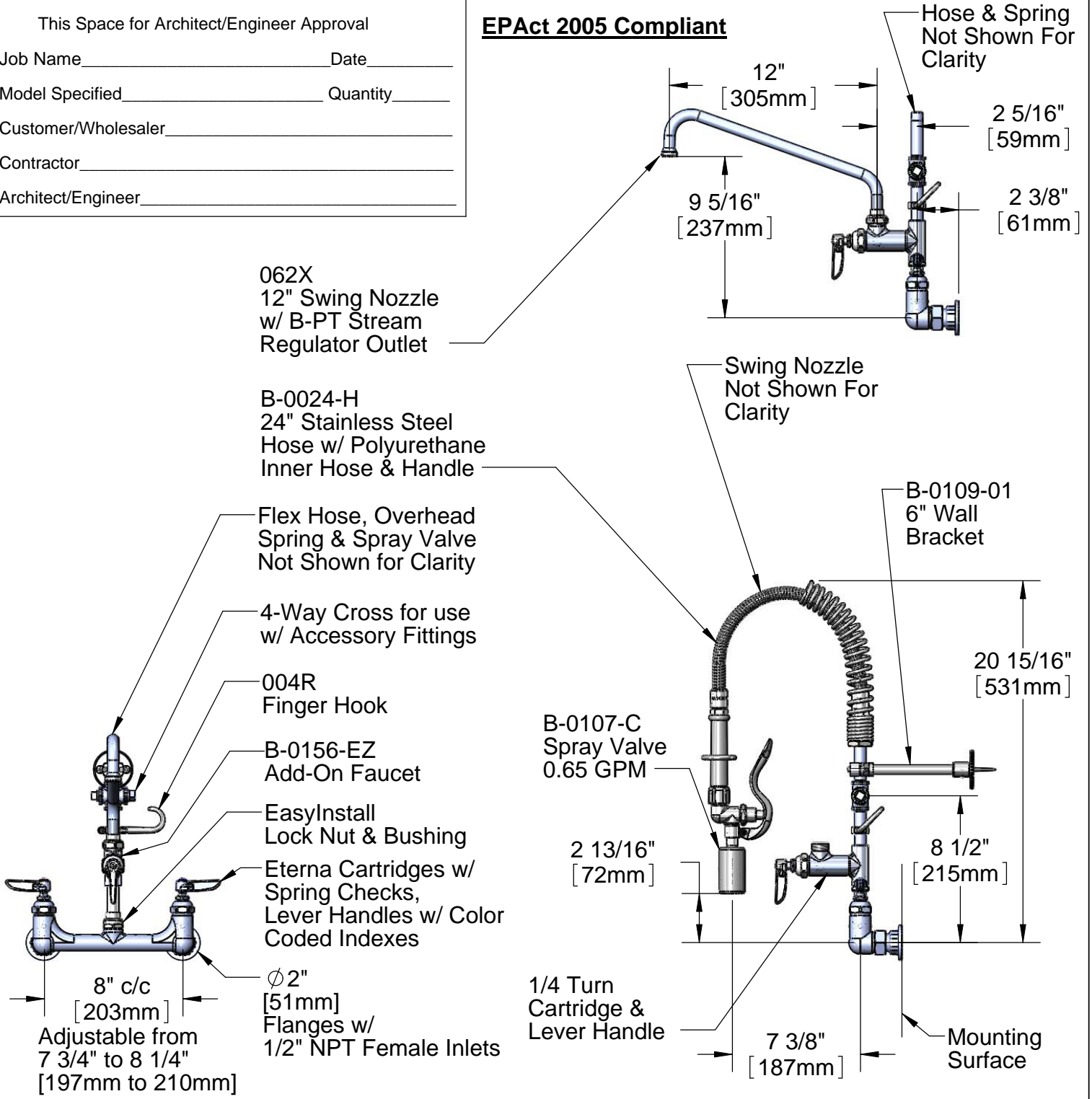
Model Specified _____ Quantity _____

Customer/Wholesaler _____

Contractor _____

Architect/Engineer _____

EPAct 2005 Compliant



Product Specifications:
EasyInstall Pre-Rinse Unit:
8" c/c Wall Mount Mixing Faucet w/ Eterna Cartridges w/ Spring Checks,
Lever Handles, 1/2" NPT Female Inlets, Add-On Faucet, Overhead
Spring, Flex Hose, B-0107-C Spray Valve & 6" Bracket

Drawn KJG	Checked JRM	Approved JHB
Scale: 1:8		Date: 05/06/11



T&S BRASS AND BRONZE WORKS, INC.

2 Saddleback Cove / P.O. Box 1088
Travelers Rest, SC 29690



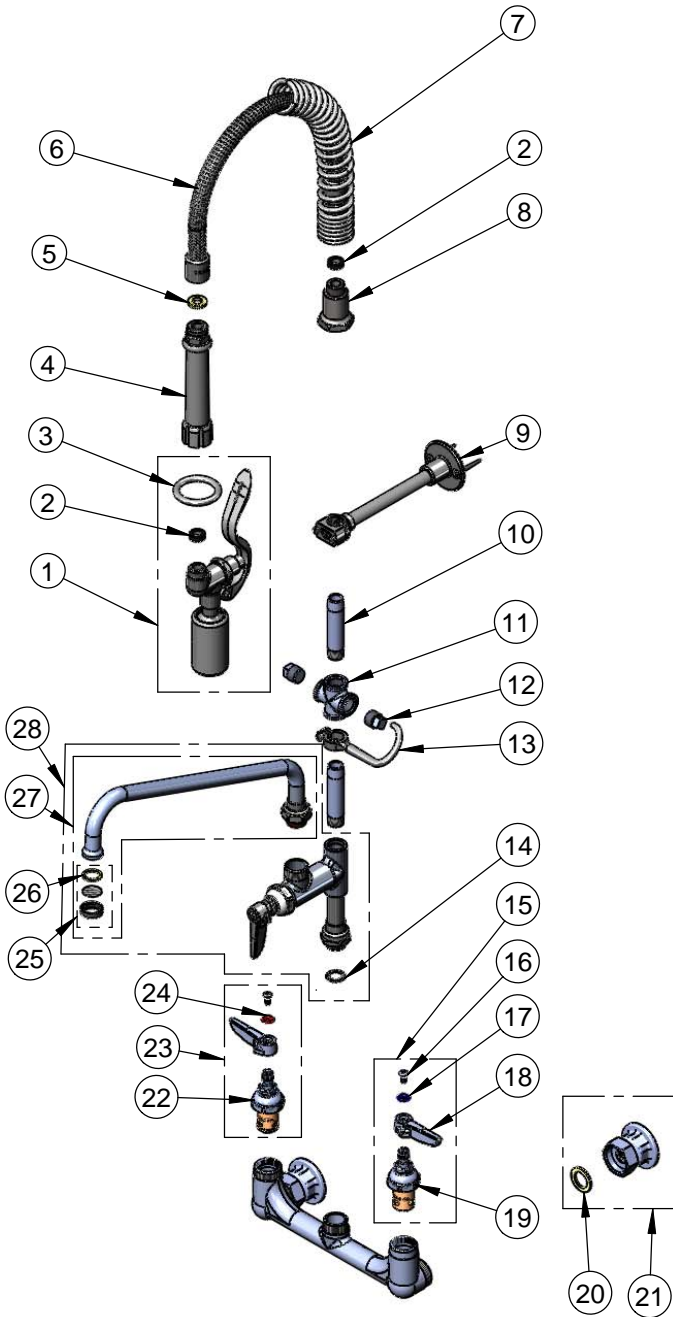
REG. #A2601
ISO #9001

Model No.

MPY-8WLN-12-4C

Item No.

Travelers Rest, SC: 800-476-4103 Simi Valley, CA: 800-423-0150 Fax: 864-834-3518 www.tsbrass.com



ITEM NO.	SALES NO.	DESCRIPTION
1	B-0107-C	0.65 GPM Spray Valve
2	010476-45	#27 Washer
3	000907-45	Spray Valve Hold Down Ring
4	002987-40	Grip Handle Assembly
5	001014-45	Washer, B-0100 Hose Barrel
6	B-0024-H2A	24" Flex Hose Less Handle
7	016795-45	Compact Spring
8	000821-40	Spring Body
9	B-0109-01	6" Wall Bracket
10	000358-40	Nipple, 3/8" x 3"
11	016804-40	Cross, 3/8" NPT
12	002369-25	Plug, 3/8" NPT
13	004R	Finger Hook
14	014200-45	Star Washer, Anti-Rotation
15	002711-40	Cold Eterna Spindle w/ Spring Check, Handle, Index & Screw
16	000922-45	Lever Handle Screw
17	001660-45	Blue Index-CW
18	001638-45	Lever Handle
19	012442-40	Eterna Spindle Assembly w/ Spring Check, Cold (LTC)
20	001019-45	Coupling Nut Washer
21	00AA	Flange Assembly
22	012443-40	Eterna Spindle Assembly w/ Spring Check, (Hot)
23	002712-40	Hot Eterna Spindle w/ Spring Check, Handle, Index & Screw
24	001661-45	Red Index-HW
25	B-PT	Stream Regulator Outlet
26	001048-45	Nozzle Tip Washer
27	062X	12" Swing Nozzle
28	B-0156-EZ	EasyInstall Add-On Faucet

Product Specifications:

EasyInstall Pre-Rinse Unit:
8" c/c Wall Mount Mixing Faucet w/ Eterna Cartridges w/ Spring Checks,
Lever Handles, 1/2" NPT Female Inlets, Add-On Faucet, Overhead
Spring, Flex Hose, B-0107-C Spray Valve & 6" Bracket

Drawn KJG	Checked JRM	Approved JHB
Scale: NTS		Date: 05/06/11